

# Screw Cap/Finger Release Fuseholder

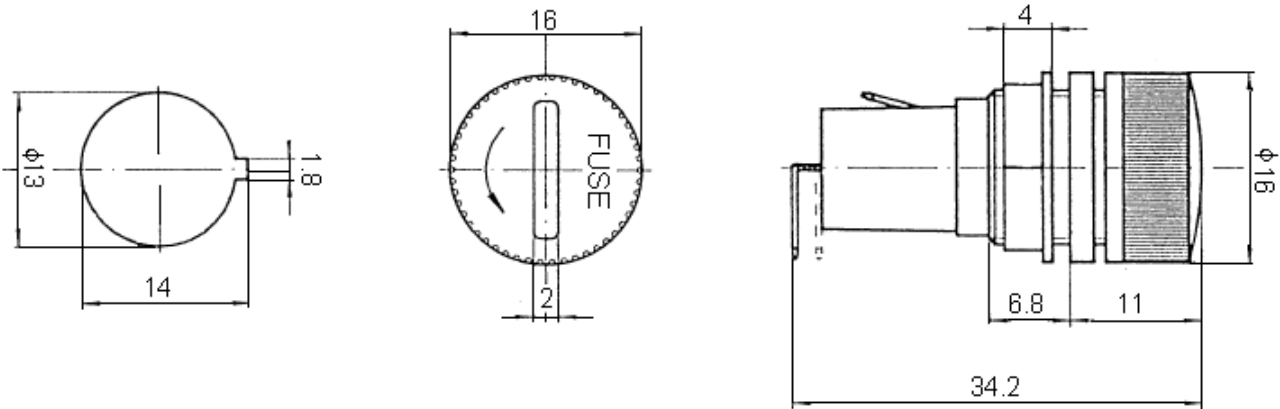


20 x 5mm Panel Mount



## Features:

- Finger release screw carrier.
- Anti-rotation key fixing.
- Combined solder/2.8mm quick connect terminals.
- Compact.
- Competitive.
- IEC 127-6.



Dimensions : Millimetres

## Specifications:

Rating	: 6.3A/250V.
Contacts/resistance	: Tinned nickel plated brass/<5mΩ.
Material	: Flame retardant polycarbonate.
Insulation resistance	: >100MΩ.
Dielectric strength	: 3kV/60sec.
Power dissipation	: 2.5W.
Approvals	: CE and SEMKO.

## Part Number Table

Fuse Size	Part Number
5 x 20mm	MCHTC-30M



# Screw Cap/Finger Release Fuseholder

## 20 x 5mm Panel Mount



### Notes:

### International Sales Offices:



#### AUSTRALIA - Farnell

Tel No: ++61 1300 361 005  
Fax No: ++61 1300 361 225



#### FINLAND - Farnell

Tel No: ++358 9 560 7780  
Fax No: ++358 9 345 5411



#### ITALY - Farnell

Tel No: ++39 02 93 995 200  
Fax No: ++39 02 93 995 300



#### SPAIN - Farnell

Tel No: 901 20 20 80  
Fax No: 901 20 20 90



#### AUSTRIA - Farnell

Tel No: ++43 662 2180 680  
Fax No: ++43 662 2180 670



#### FRANCE - Farnell

Tel No: ++33 474 68 99 99  
Fax No: ++33 474 68 99 90



#### MALAYSIA - Farnell-Newark

Tel No: ++60 3 7873 8000  
Fax No: ++60 3 7873 7000



#### SWEDEN - Farnell

Tel No: ++46 8 730 50 00  
Fax No: ++46 8 83 52 62



#### BELGIUM - Farnell

Tel No: ++32 3 475 2810  
Fax No: ++32 3 227 3648



#### GERMANY - Farnell

Tel No: ++49 89 61 39 39 39  
Fax No: ++49 89 613 59 01



#### NETHERLANDS - Farnell

Tel No: ++31 30 241 7373  
Fax No: ++31 30 241 7333



#### SWITZERLAND - Farnell

Tel No: ++44 204 64 64  
Fax No: ++44 204 64 54



#### BRAZIL - Farnell-Newark

Tel No: ++55 11 4066 9400  
Fax No: ++55 11 4066 9410



#### HONG KONG - Farnell-Newark

Tel No: ++852 2268 9888  
Fax No: ++852 2268 9899



#### NEW ZEALAND - Farnell

Tel No: 0800 90 80 80  
Fax No: 0800 90 80 81



#### UK - Farnell

Tel No: ++44 8701 200 200  
Fax No: ++44 8701 200 201



#### CHINA - Farnell-Newark

Tel No: ++86 10 6238 5152  
Fax No: ++86 10 6238 5022



#### HUNGARY - Farnell

Tel No: ++44 870 1200 208  
Fax No: ++44 870 1200 209



#### NORWAY - Farnell

Tel No: 800 146 70  
Fax No: 800 146 76



#### UK - CPC

++44 8701 202 530  
++44 8701 202 531



#### CZECH REPUBLIC - Farnell

Tel No: ++44 870 1200 208  
Fax No: ++44 870 1200 209



#### INDIA - Farnell

Tel No: ++44 870 1200 208  
Fax No: ++44 870 1200 209



#### PORTUGAL - Farnell

Tel No: ++34 93 475 8804  
Fax No: ++34 93 474 5288



#### USA - Newark

Tel No: 800 463 9275



#### DENMARK - Farnell

Tel No: ++45 44 53 66 44  
Fax No: ++45 44 53 66 06



#### IRELAND - Farnell

Tel No: ++353 1 830 9277  
Fax No: ++353 1 830 9016



#### RUSSIA - Farnell

Tel No: ++44 870 1200 208  
Fax No: ++44 870 1200 209



#### EXPORT - Farnell

Tel No: ++44 8701 200 208  
Fax No: ++44 8701 200 209

For enquiries from all other markets



#### ESTONIA - Farnell

Tel No: ++358 9 560 7780  
Fax No: ++358 9 345 5411



#### ISRAEL - Farnell

Tel No: ++180 937 0015  
Fax No: ++180 937 0014



#### SINGAPORE - Farnell-Newark

Tel No: ++65 6788 0200  
Fax No: ++65 6788 0300

<http://www.farnell.com>

<http://www.newark.com>

<http://www.cpc.co.uk>

**Disclaimer** This data sheet and its contents (the "Information") belong to the Premier Farnell Group (the "Group") or are licensed to it. No licence is granted for the use of it other than for information purposes in connection with the products to which it relates. No licence of any intellectual property rights is granted. The Information is subject to change without notice and replaces all data sheets previously supplied. The Information supplied is believed to be accurate but the Group assumes no responsibility for its accuracy or completeness, any error in or omission from it or for any use made of it. Users of this data sheet should check for themselves the Information and the suitability of the products for their purpose and not make any assumptions based on information included or omitted. Liability for loss or damage resulting from any reliance on the Information or use of it (including liability resulting from negligence or where the Group was aware of the possibility of such loss or damage arising) is excluded. This will not operate to limit or restrict the Group's liability for death or personal injury resulting from its negligence. SPC Multicomp is the registered trademark of the Group. © Premier Farnell plc 2008.

