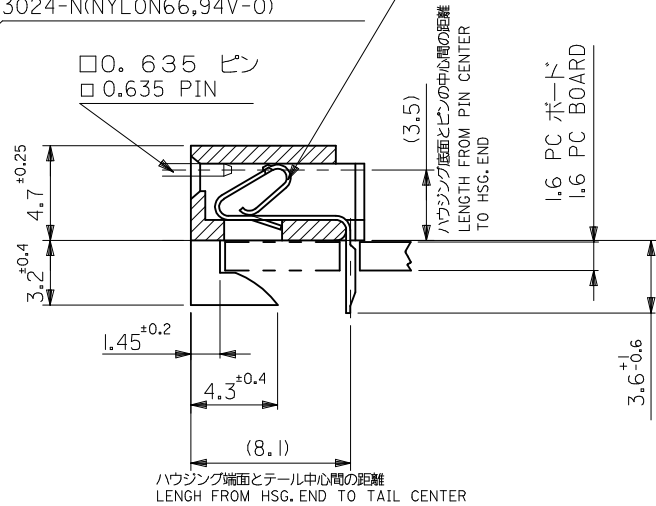


3024-N (ナイロン66, 94V-0)  
3024-N(NYLON66,94V-0)

□0.635 ピン  
□0.635 PIN

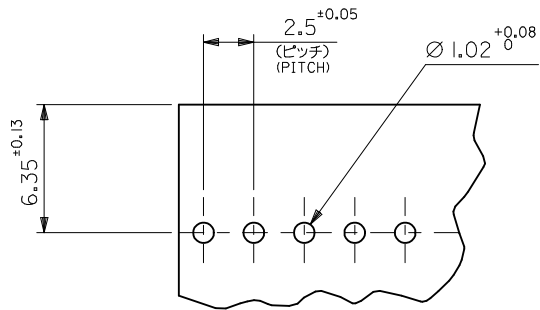


5193-1PBT (リン青銅, 錫メッキ)  
5193-IPBT(PHOSPHOR BRONZE, TIN PLATE)

ハウジング端面とピンの中心間の距離  
LENGTH FROM PIN CENTER TO HSG. END

1.6 PC ボード  
1.6 PC BOARD

ハウジング端面とテール中心間の距離  
LENGTH FROM HSG. END TO TAIL CENTER



基板取付穴推奨寸法

RECOMMENDED PC BOARD HOLE DIMENSION

22.5 <sup>+0.15</sup>	24.94	22-15-1102	3024-10AHPB	10
B	(A)	ORDER NO.	ENG NO.	NO. OF CKTS.

MODEL NO.	3024-NAHPB
THIRD ANGLE PROJECTION	

注記  
NOTE

( ) 内寸法は参考値  
( ) DIMENSION ARE FOR REFERENCE

REVISED EC NO: J2010-0362 DRWRTS: SUJOKA 2009/09/09 CHKD: THARUYAMA 2009/09/10 APPR: HIRATA 2009/09/10	GENERAL TOLERANCES (UNLESS SPECIFIED)	
	10 UNDER	± ---
	10 OVER 30 UNDER	± ---
	30 OVER	± ---
REV	DESCRIPTION	ANGULAR ± --- °
		DRAFT WHERE APPLICABLE MUST REMAIN WITHIN DIMENSIONS

DIMENSION STYLE MM ONLY	
DRAWN BY H. IJIMA	DATE '96/7/4
CHECKED BY M. FUKUSHIMA	DATE '96/7/4
APPROVED BY M. ENOMOTO	DATE '96/7/4
MATERIAL NO.	
SIZE A3	

SCALE 4:1	DESIGN UNITS METRIC	TITLE KK2.5 SOL REC HSG ASSY
MOLEX INCORPORATED		SHEET NO. 1 OF 1
SEE TABLE		DOCUMENT NO. SD-3024-001
THIS DRAWING CONTAINS INFORMATION THAT IS PROPRIETARY TO MOLEX INCORPORATED AND SHOULD NOT BE USED WITHOUT WRITTEN PERMISSION		