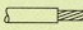
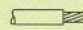


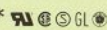
# Fused Disconnect Terminal Blocks, for Miniature Fuses 1/4" x 1", 1/4" x 1 1/4"

Front-entry

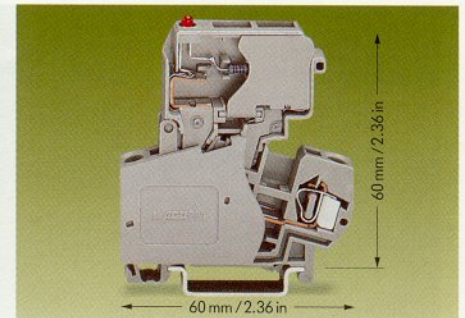
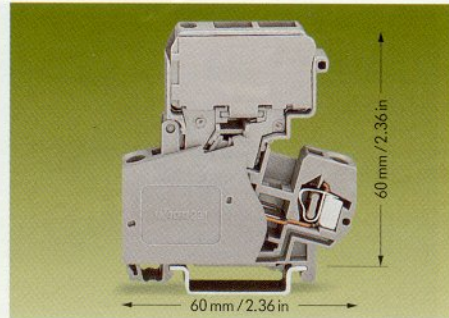
0.08 – 4 mm<sup>2</sup> | AWG 28 – 12  
 800 V/8 kV/3 ①② | 600 V, 10 A ③  
 10 A "T"/6.3 A "FF" – "T" ②  
 Terminal block width 10 mm / 0.394 in  
 9 – 10 mm / 0.37 in







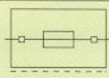
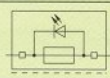
\* 

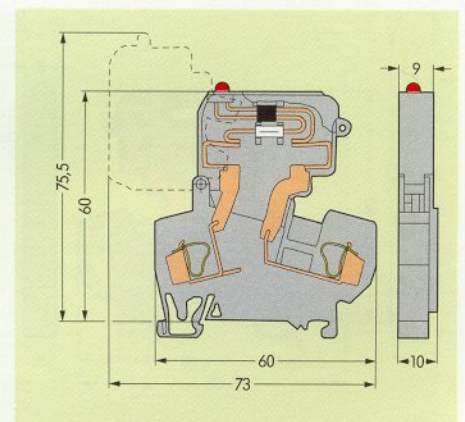
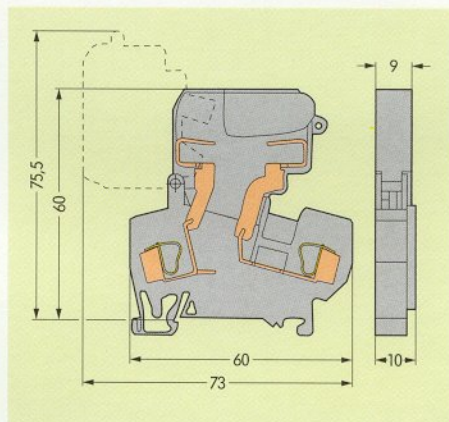
0.08 – 4 mm<sup>2</sup> | AWG 28 – 12  
 800 V/8 kV/3 ①② | 30/65 V, 10 A ③  
 10 A "T"/6.3 A "FF" – "T" ②  
 Terminal block width 10 mm / 0.394 in  
 9 – 10 mm / 0.37 in

\* 

- ① 800 V = rated voltage  
 8 kV = rated surge voltage  
 3 = pollution degree  
 (see also section 10)
- ② Nominal voltage and current are given by the LED or fuse  
 FF = Fast acting fuse  
 T = Slow acting fuse
- ③ Leakage current in case of blown fuse:  
 LED 6 mA, neon lamp < 0.4 mA



Description	Item-No.	Pack.-unit pcs	Item-No.	Pack.-unit pcs	
<b>Fused disconnect terminal block, with pivotable fuse holder, for DIN 35 rail, for miniature fuses</b>	<b>without blown fuse indication</b>		<b>with blown fuse indication by LED</b>		
	grey	<b>281-613</b>	50	grey 15 – 30 V ≈ ③ <b>281-613/281-541</b> 50	
	grey	<b>281-613</b>	50	grey 30 – 65 V ≈ ③ <b>281-613/281-542</b> 50	
	grey	<b>281-623</b>	50	grey 15 – 30 V ≈ ③ <b>281-623/281-541</b> 50	
	grey	<b>281-623</b>	50	grey 30 – 65 V ≈ ③ <b>281-623/281-542</b> 50	
<b>Accessories</b> (see also section 8)	Appropriate marking system	<b>WSB</b>	Appropriate marking system	<b>WSB</b>	
 <b>End and intermediate plate</b>	2.5 mm / 0.098 in thick		2.5 mm / 0.098 in thick		
	orange	<b>281-309</b>	100 (4 x 25)	orange	<b>281-309</b> 100 (4 x 25)
	grey	<b>281-311</b>	100 (4 x 25)	grey	<b>281-311</b> 100 (4 x 25)
 <b>Adjacent jumper, insulated</b>	I <sub>N</sub> 32 A		I <sub>N</sub> 32 A		
	grey	<b>281-402</b>	200 (8 x 25)	grey	<b>281-402</b> 200 (8 x 25)
 <b>Test plug adapter, suitable for terminal blocks 1.5 mm<sup>2</sup> – 4 mm<sup>2</sup>/AWG 16 – 12</b>	5 mm / 0.197 in wide		5 mm / 0.197 in wide		
	for test plug 210-137 (2.3 mm / 0.091 in Ø)	<b>280-404</b>	100 (4 x 25)	<b>280-404</b>	100 (4 x 25)
 <b>Test plug, 6 mm / 0.236 in wide, with CAGE CLAMP® for 0.08 mm<sup>2</sup> – 2.5 mm<sup>2</sup>/AWG 28-14</b>	I <sub>N</sub> 24 A		I <sub>N</sub> 24 A		
		<b>281-407</b>	100 (4 x 25)		<b>281-407</b> 100 (4 x 25)
 <b>Connecting strip, for ganging several fuse holders, length 1 m / 3'3"</b>	transparent	<b>210-254</b>	1	transparent	<b>210-254</b> 1
 <b>Miniature fuse</b>		<b>contact factory</b>		<b>contact factory</b>	
<b>Dimension (in mm)</b>					



\* For further approvals with corresponding ratings see pages 10.3 ff.