

PLUG-IN HEAT SINKS FOR TO-220 PACKAGES

No mounting hardware needed
 for easy semiconductor assembly
 on vertical or horizontal mounting
 Various heights available
 as standard

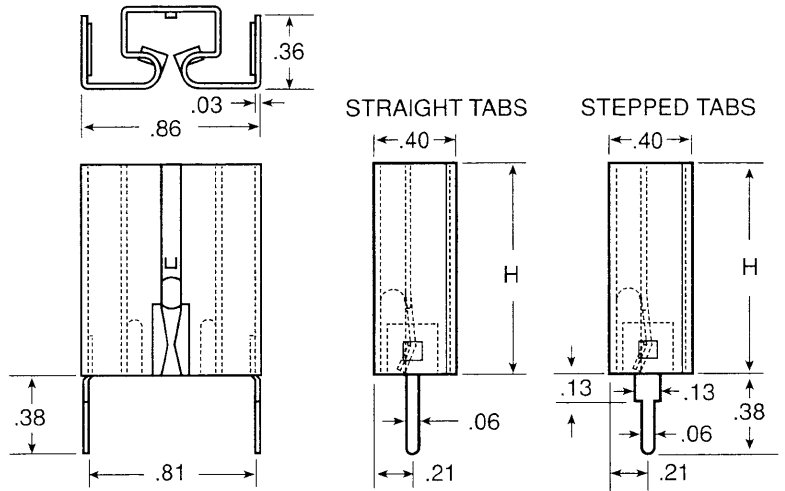
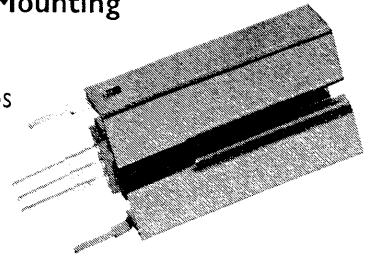
574502-574902 For Vertical Mounting
 Standard Ordering Code(s)

Vertical Mount with Straight Tabs

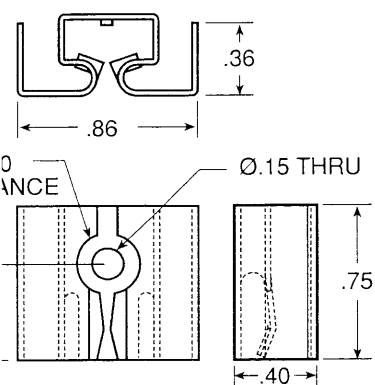
- 574502B03300
- 574602B03300
- 574902B03300

Vertical Mount with Stepped Tabs

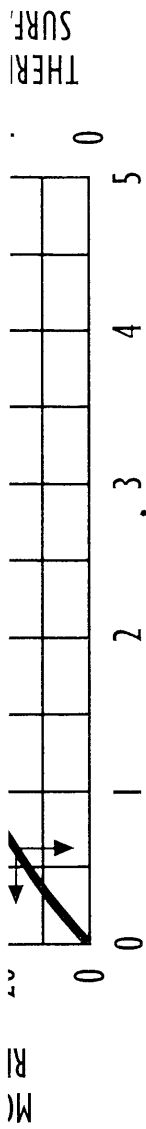
- 574502B03700
- 574602B03700
- 574902B03700



Standard Ordering Code(s)
 B00000
 Mount

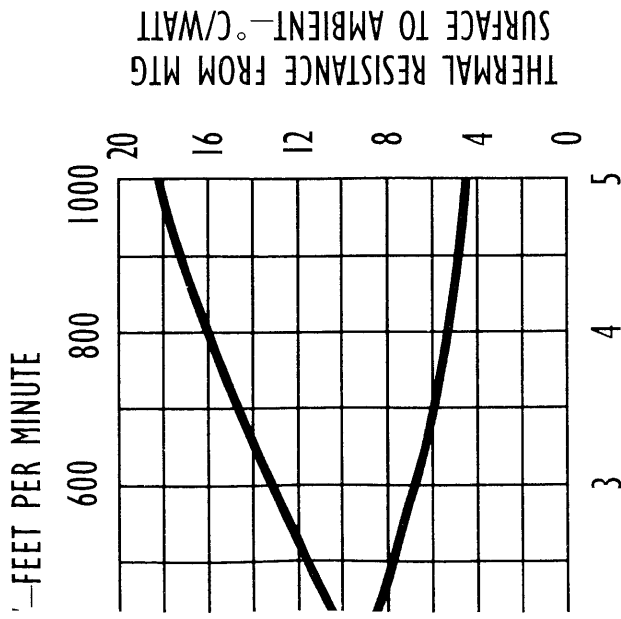


Part Number	"H" Dimension	
	In.	(mm)
574502	0.750	(19.05)
574602	0.690	(17.53)
574902	1.375	(34.93)



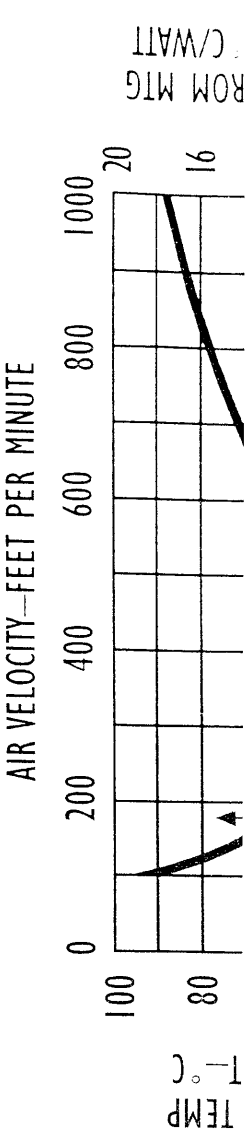
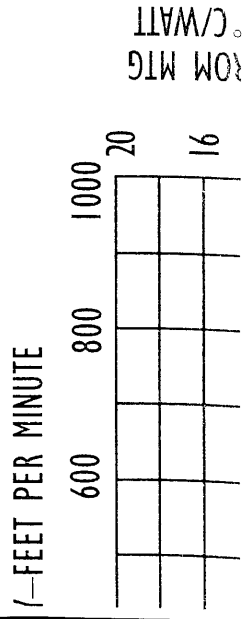
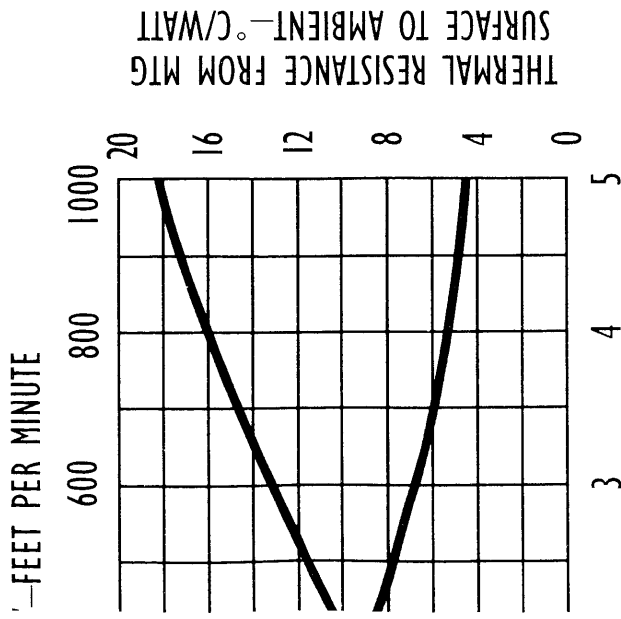
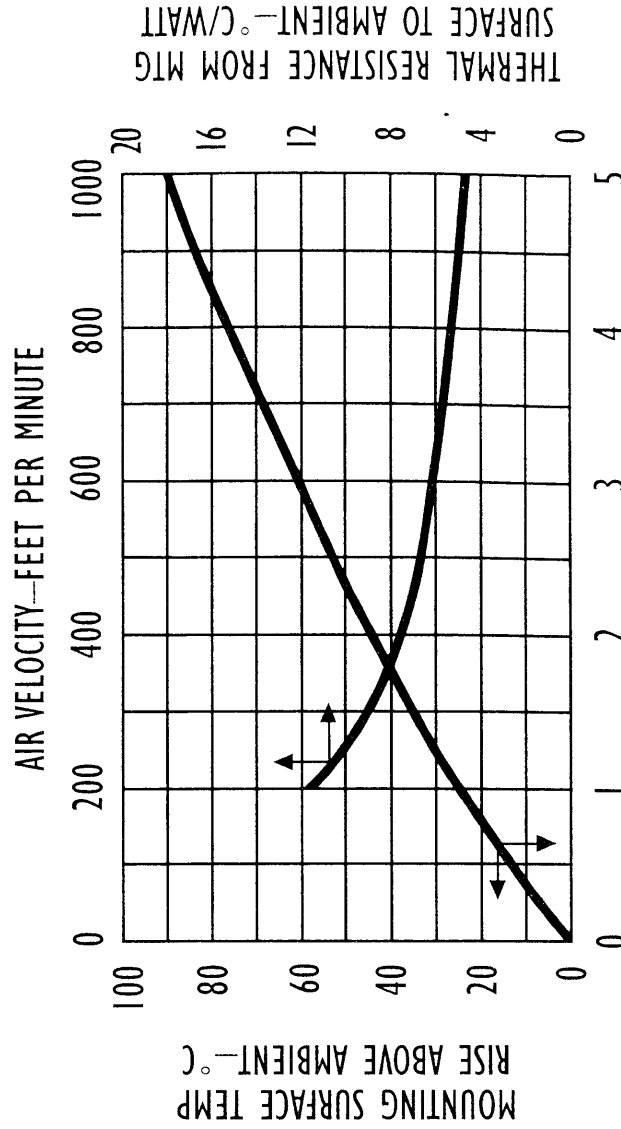
574502

5749



574602

5750



TEMP

TEMP

TEMP

TEMP