

Description

- For 5mm x 20mm fuses
- With snap on covers
 - BK/HTC-140M (Natural Cover)
 - BK/HTC-150M (Transparent Cover)
- Tight cluster mounting
- Clips made of tin-lead plated spring-bronze
- Available only in bulk
- High temperature thermoplastic meets:
 - UL 94-VO
 - Glow wire test: 960°C per IEC 695-2-1

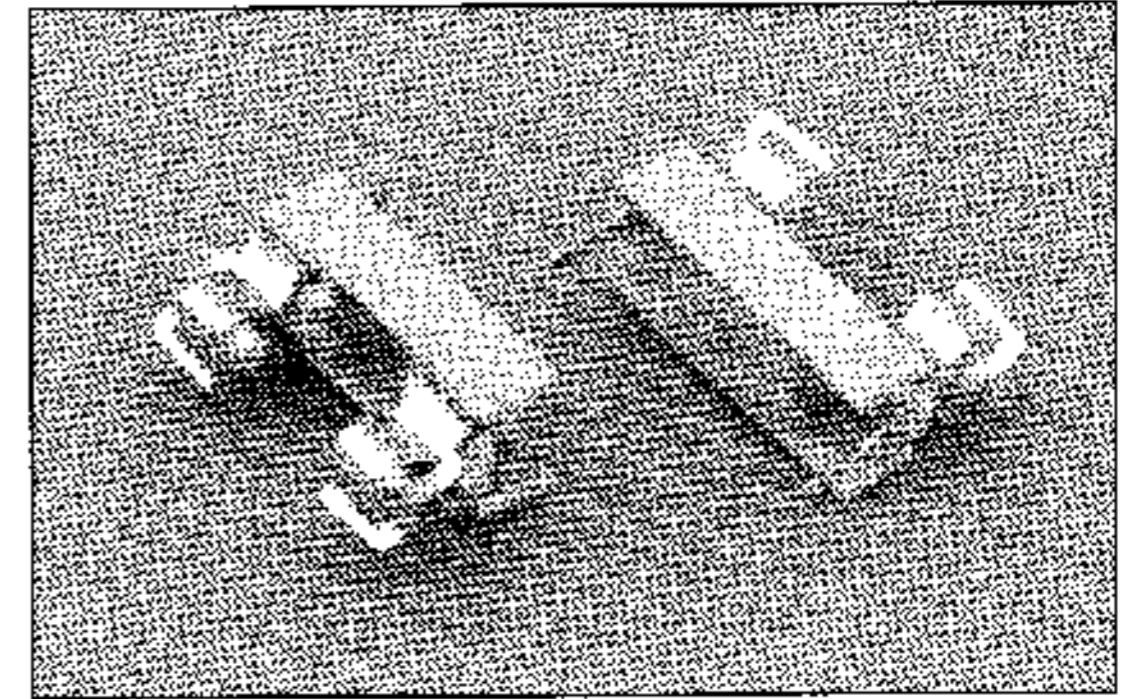
Environmental Data

- Maximum suitable temperature: 110°C

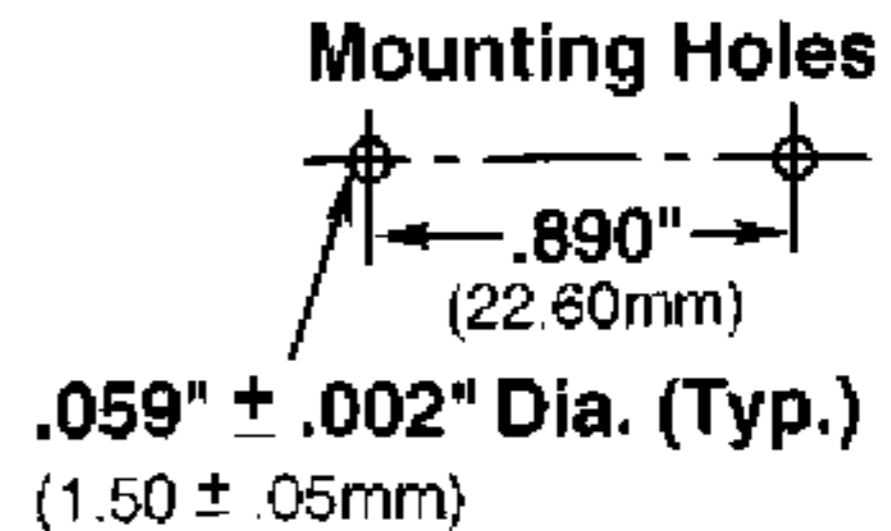
Ordering

- Specify product code and packaging code

SPECIFICATIONS		
Product Code	Voltage Rating AC	Current Rating AC
HTC-15M	250V	6.3A

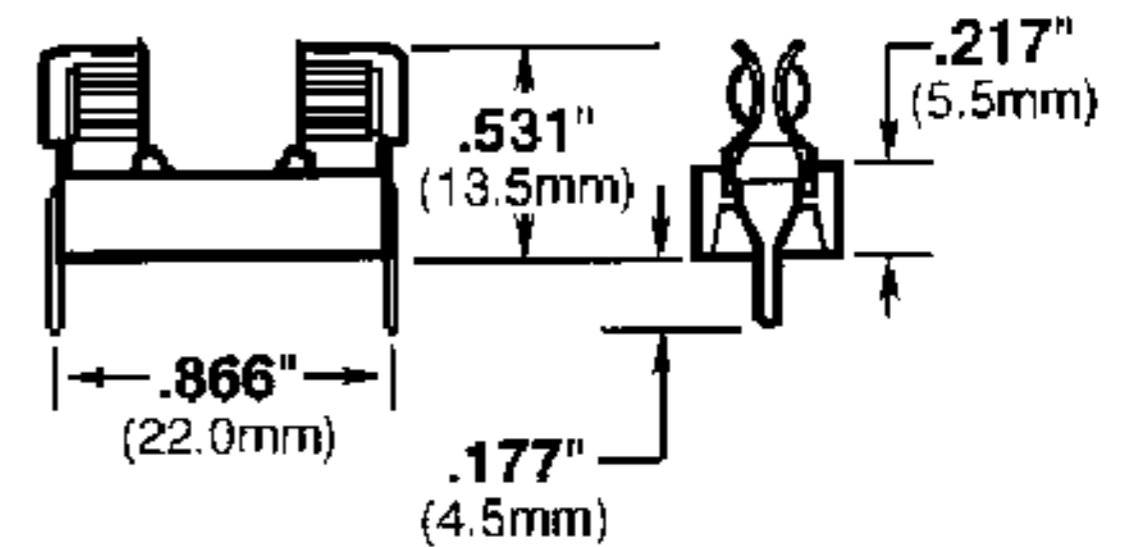


Mounting Holes



Dimensions
BK/HTC-15M

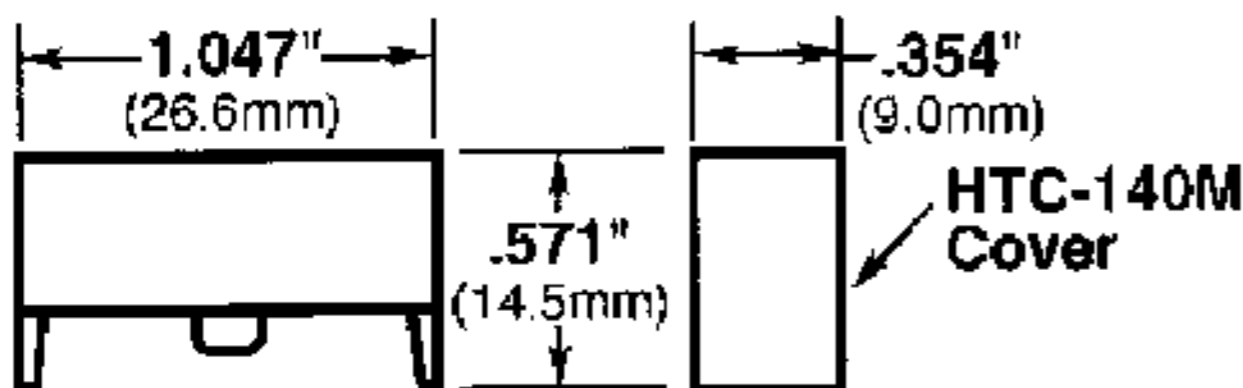
Drawing Not to Scale



Dimensions

BK/HTC-140M

Drawing Not to Scale



Component	Material
Clip	Spring-Bronze, Bright Tin-Lead Plate
Body	Thermoplastic

PACKAGING CODE	
Packaging Code	Description
BK	100 pieces of fuseblocks packed into a cardboard shelf package