

S202

PREPAID LEISURE TIMER



Physical Data:

Case : Heavy duty nylon, with Perspex front viewing panel.
Case Size : 124mm wide 170mm high 95mm deep.

Timing Range:

Variable time from 1 second to 99 hours per card insertion.

Timing Standard:

Atomic Clock -Time accuracy calibration standard-USNO United States Navy Observatory Washington DC.

Module:

100amps : AC1 230 volts (110 volts version available) 50/60Hz.
Module Contactor : Bi-Stable electronic contactor-
switching current 4.5W over 20ms.
Switching life : 100,000 switches minimum.

Terminal Block:

Nickel plated brass terminals, are fitted for main terminals, in both Single
The terminal cover is of a tamperproof construction and design, with a security lip fitting into the main meter case, and star
constructed fixing for sealing with a 6.5mm screw head fitting conforming to BS 5685 Pt 1.

Contactor:

Using electronic contactor 100 Ampere.
Both versions are latching contactors (Bi Stable).
Electronic contactor has-very low current consumption - 4.5 watts per 20 millisecond latch = 90m Joules per latch.
No heating of coils (Usual in standard product-mono stable contactors).
Contactors have programmed (default mode) SDSF (Self Diagnostic Safety Features).

SDSF Examples:

The contactor receives the pulse signal to close or open, if for any unknown reason the mechanical action of closing or opening does
not happen (with a load > 1 Ampere) SDSF program takes command/control of the product.
Buzzer sounds - On PCB - Audible Que.
Display flashes FAULTY - Visual Que.

LCD Display:

16 Character Display includes spaces
Visual Diameter : 65mm wide 13mm high.
Hitachi Display Driver : 5 x 7 dots per character.
Character Size : 8.5mm High 4.5 Wide.
Characters available : 92 (includes low and high case).



Influence Of Supply Voltage:

The Series 202 module complies with IEC 1036 section 4.4.2.

Operation over the voltage range complies with IEC 1036 section 4.4.2.1 with permissible error as given in IEC 1036 table 14.

For voltage dips and short interruptions the module complies with IEC 1036 section 4.4.2.2 and tested according to IEC 1036 section 5.4.2.1.

Power Burden less than 2VA.

Password:

Manual programming requires a 4-digit password installing for security.

Data Retention/Memory:

Should loss of power occur, programmed data will be retained in memory for 10 years, 200 cards of credit can be stored into memory at any one time.

Temperature Range:

Operating Range : 10°C to 45°C.

Limit range of operation : 20°C to 55°C.

Storage range : 25°C to 70°C.

This complies with IEC 1036 4.3.1

EMC Standards:

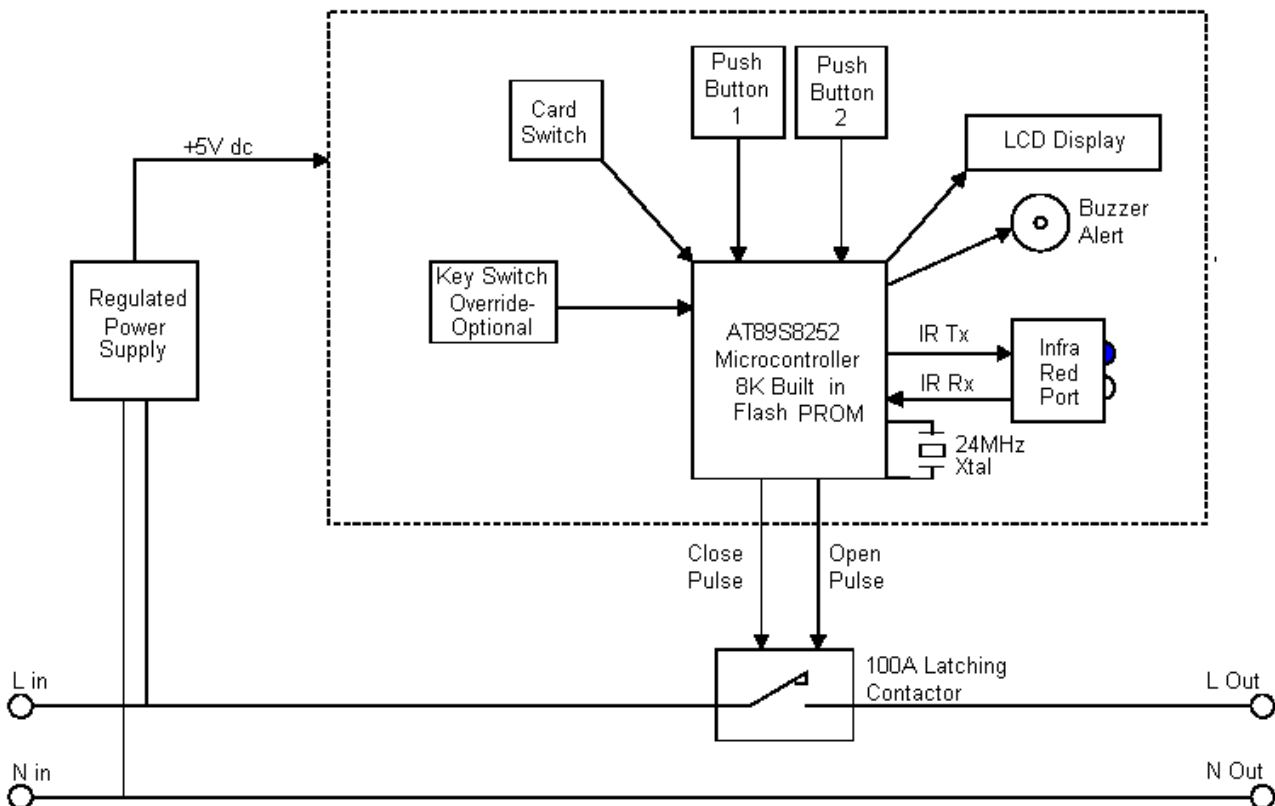
Full compliance meeting generic standard EN50091-2 and immunity standard EN50082-2 for industrial environments.

Safety Standard:

Complies with EN61010 installation category 11 Pollution degree 2.

Series 202 Card Prepayment Timer

Block Diagram



Series 202 – Card Data:

The series 202 card prepayment timing metre is designed for a testing and robust life style, with quality tamperproof facilities 'in designed'.

Operation:

The Series 202 operates by inserting a magnetic striped card into the card reader, the card reader electronics, operates in the following format.

A – Card Inserted.

B – Card read and verified as a good card.

C – Code (card) value downloaded into meter.

D – Credit given = to card value.

E – Code erased from card.

F – Dispose of card.

Each time a value card is inserted a series 202 is credited with 1 period of the pre set time

Cards:

A disposable magnetic card is used. Each time, a card is inserted into the meter the card value is downloaded into the memory A visual reading is available at all times on the display.

For reasons of economy the series 202 uses a bi directional card, enabling the card to be used twice.

Card Data:

Product	: Series 202 magnetic stripe encoded card.
Substrate	: Card.
Thickness	: 210u.
Size	: 29.9 x 70mm.
Type	: Cut single.
Coercivity	: 300 oersted.
Position	: Centre stripe.
Width	: 4mm.
Encoding	: Per request.
System	: DMS.

Time Periods:

Each time a card is inserted into the card reader a credit is added.

The time can be set within the programming parameters for any variable time between one second and 99 hours per card insertion.

Multiple(s):

Each prepayment timer will accumulate 200 cards of data into memory.

Card Bank:

To ensure security, operators are required to register with the Matrix Metering Card Bank, (registration details with the S202).

Value cards are ongoingly purchased on a mail order or telecom sales, cost of cards

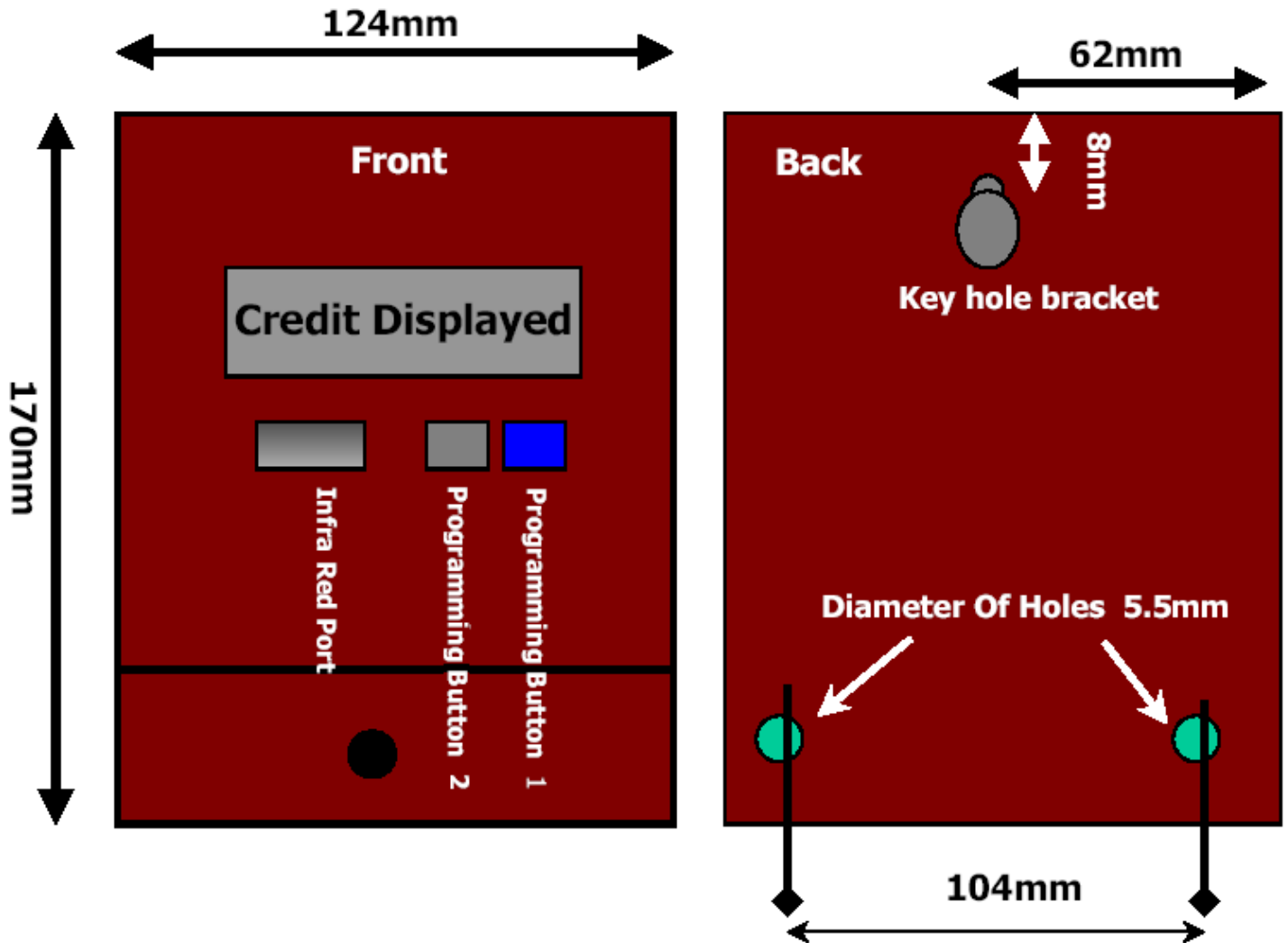
Pack of 200 10p each Pack of 2000 6p each.

S202

PREPAID LEISURE TIMER

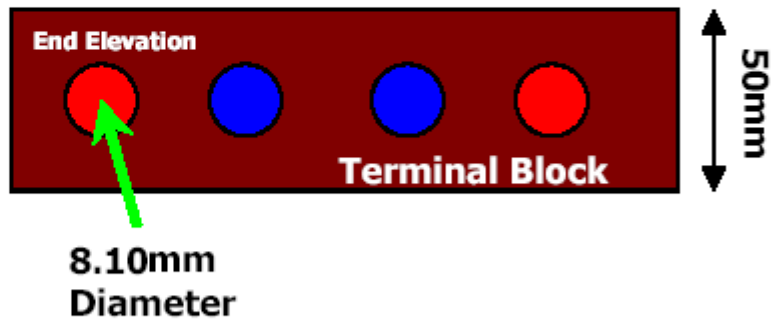


Series 202 Case Size:



S202

PREPAID LEISURE TIMER



Part Number Table

Type	Part Number
Prepaid Leisure Timer	S202

Notes:

International Sales Offices:



AUSTRALIA – Farnell InOne
Tel No: ++ 61 2 9645 8888
Fax No: ++ 61 2 9644 7898



FINLAND – Farnell InOne
Tel No: ++ 358 9 560 7780
Fax No: ++ 358 9 345 5411



NETHERLANDS – Farnell InOne
Tel No: ++ 31 30 241 7373
Fax No: ++ 31 30 241 7333



SWITZERLAND – Farnell InOne
Tel No: ++ 41 1 204 64 64
Fax No: ++ 41 1 204 64 54



AUSTRIA – Farnell InOne
Tel No: ++ 43 662 2180 680
Fax No: ++ 43 662 2180 670



FRANCE – Farnell InOne
Tel No: ++ 33 474 68 99 99
Fax No: ++ 33 474 68 99 90



NEW ZEALAND – Farnell InOne
Tel No: ++ 64 9 357 0646
Fax No: ++ 64 9 357 0656



UK – Farnell InOne
Tel No: ++ 44 8701 200 200
Fax No: ++ 44 8701 200 201



BELGIUM – Farnell InOne
Tel No: ++ 32 3 475 2810
Fax No: ++ 32 3 227 3648



GERMANY – Farnell InOne
Tel No: ++ 49 89 61 39 39 39
Fax No: ++ 49 89 613 59 01



NORWAY – Farnell InOne
Tel No: ++ 45 44 53 66 66
Fax No: ++ 45 44 53 66 02



UK – BuckHickman InOne
++ 44 8450 510 150
++ 44 8450 510 130



BRAZIL – Farnell-Newark InOne
Tel No: ++ 55 11 4066 9400
Fax No: ++ 55 11 4066 9410



HONG KONG – Farnell-Newark InOne
Tel No: ++ 852 2268 9888
Fax No: ++ 852 2268 9899



PORTUGAL – Farnell InOne
Tel No: ++ 34 93 475 8804
Fax No: ++ 34 93 474 5288



UK – CPC
++ 44 8701 202 530
++ 44 8701 202 531



CHINA – Farnell-Newark InOne
Tel No: ++86 10 6238 5152
Fax No: ++86 10 6238 5022



IRELAND – Farnell InOne
Tel No: ++ 353 1 830 9277
Fax No: ++ 353 1 830 9016



SINGAPORE – Farnell-Newark InOne
Tel No: ++ 65 6788 0200
Fax No: ++ 65 6788 0300



EXPORT – Farnell InOne
Tel No: ++ 44 8701 200 208
Fax No: ++ 44 8701 200 209

For enquiries from all other markets



DENMARK – Farnell InOne
Tel No: ++ 45 44 53 66 44
Fax No: ++ 45 44 53 66 06



ITALY – Farnell InOne
Tel No: ++ 39 02 93 995 200
Fax No: ++ 39 02 93 995 300



SPAIN – Farnell InOne
Tel No: ++ 34 93 475 8805
Fax No: ++ 34 93 474 5107



ESTONIA – Farnell InOne
Tel No: ++ 358 9 560 7780
Fax No: ++ 358 9 345 5411



MALAYSIA – Farnell-Newark InOne
Tel No: ++ 60 3 7873 8000
Fax No: ++ 60 3 7873 7000



SWEDEN – Farnell InOne
Tel No: ++ 46 8 730 50 00
Fax No: ++ 46 8 83 52 62

<http://www.farnellinone.com>

<http://www.buckhickmaninone.com>

<http://www.cpc.co.uk>

Disclaimer This data sheet and its contents (the "Information") belong to the Premier Farnell Group (the "Group") or are licensed to it. No licence is granted for the use of it other than for information purposes in connection with the products to which it relates. No licence of any intellectual property rights is granted. The Information is subject to change without notice and replaces all data sheets previously supplied. The Information supplied is believed to be accurate but the Group assumes no responsibility for its accuracy or completeness, any error in or omission from it or for any use made of it. Users of this data sheet should check for themselves the Information and the suitability of the products for their purpose and not make any assumptions based on information included or omitted. Liability for loss or damage resulting from any reliance on the Information or use of it (including liability resulting from negligence or where the Group was aware of the possibility of such loss or damage arising) is excluded. This will not operate to limit or restrict the Group's liability for death or personal injury resulting from its negligence. Multicomp is the registered trademark of the Group. © Premier Farnell plc 2004.