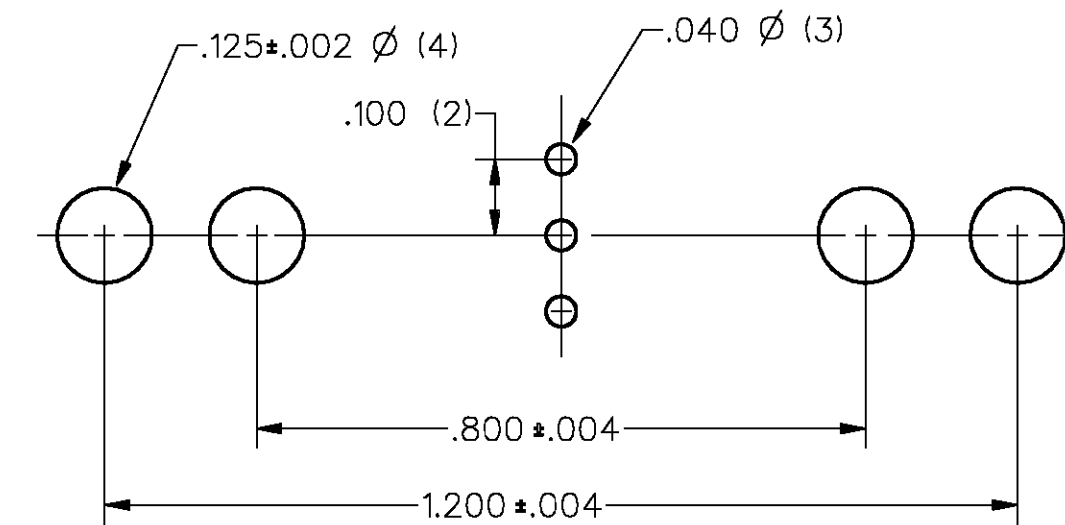


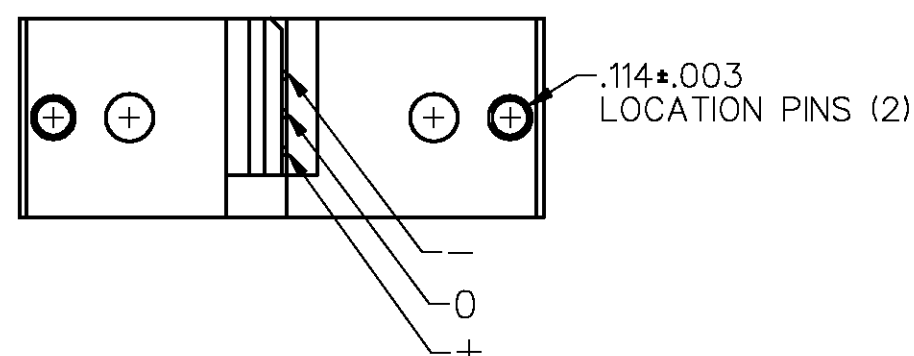
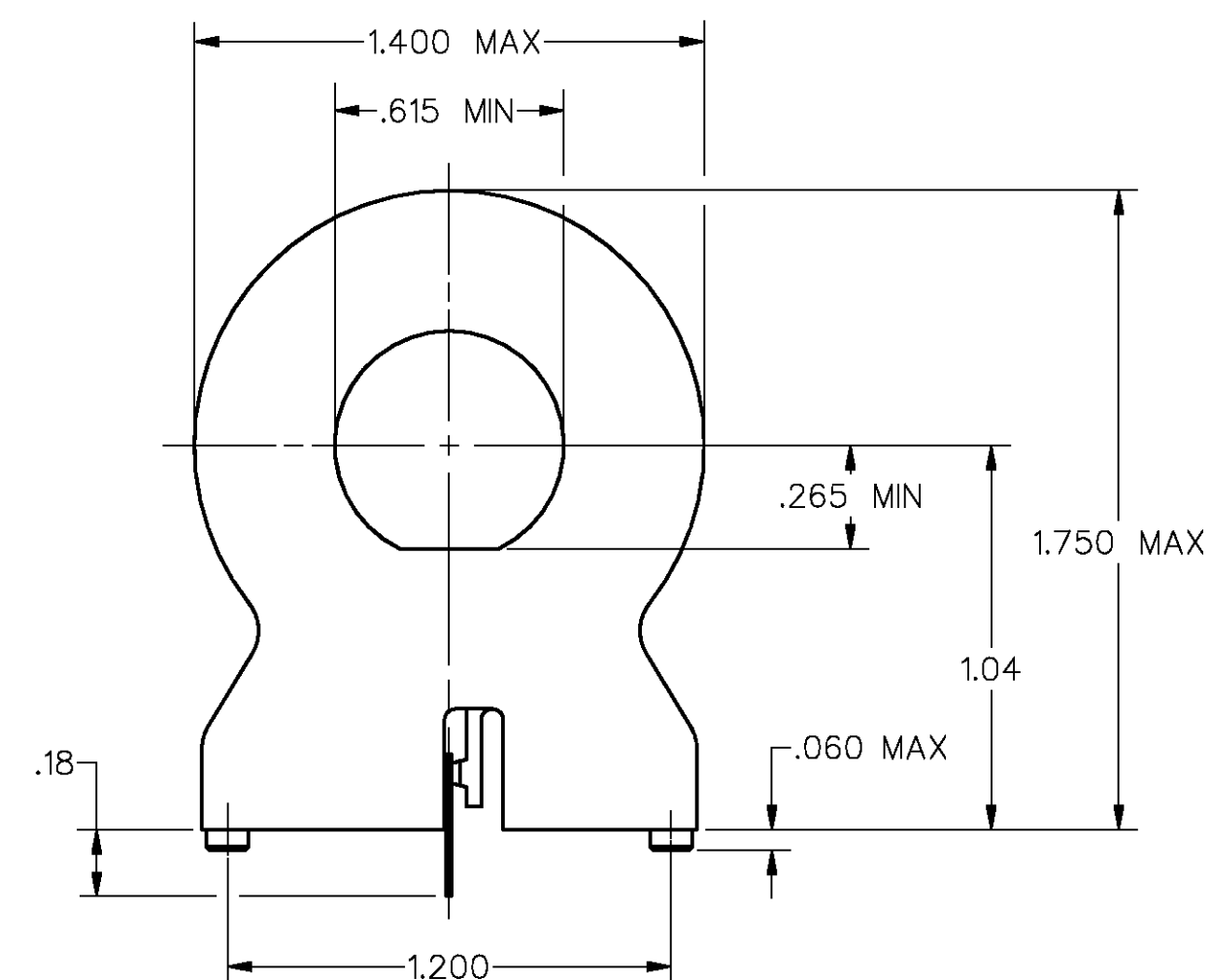
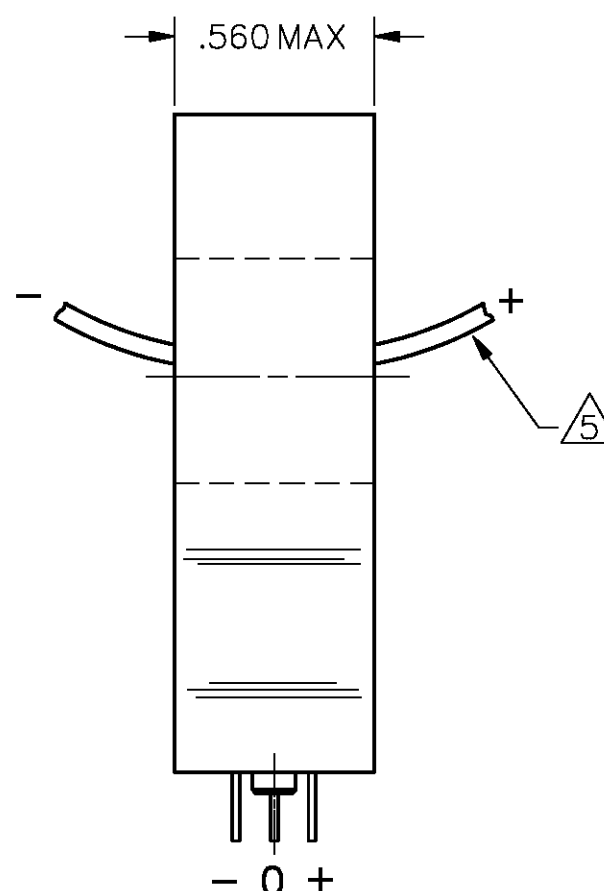
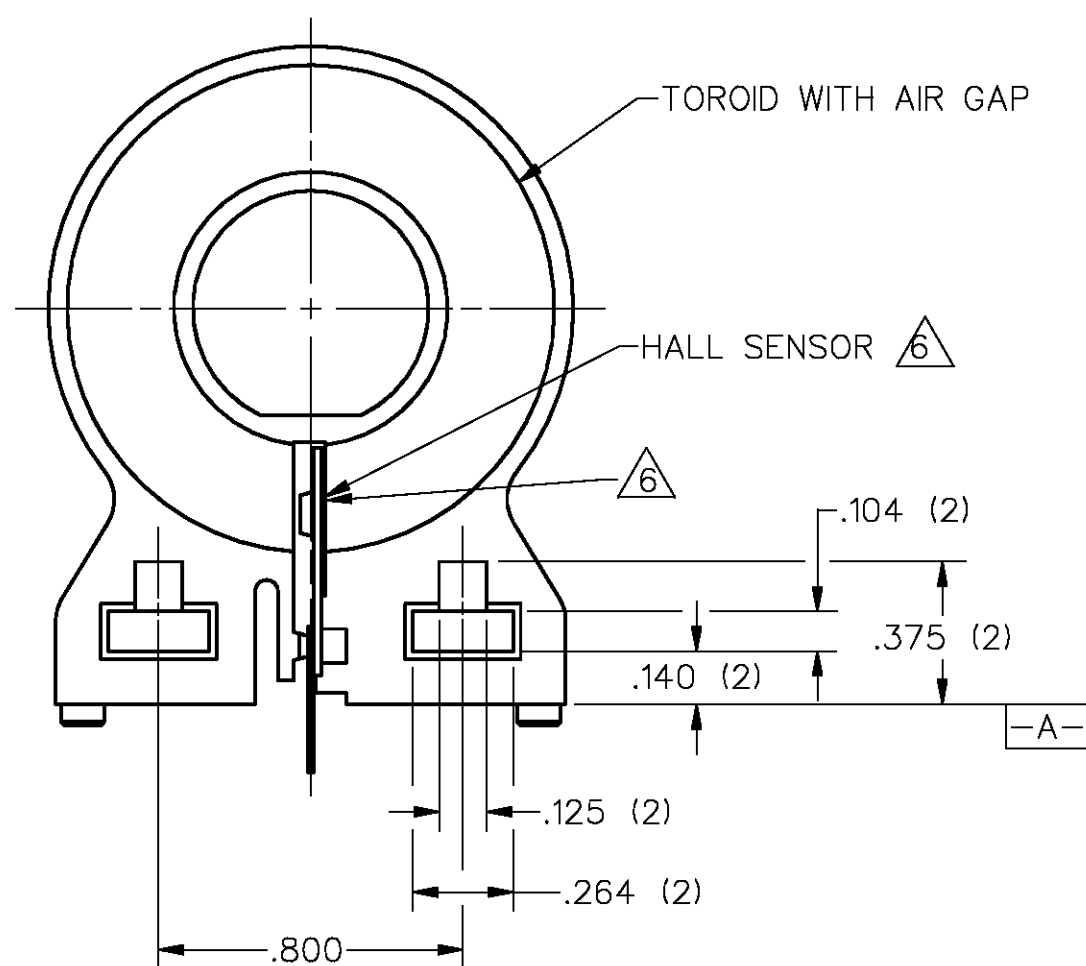
CHARACTERISTICS

PARAMETER	MIN	TYP	MAX	UNITS	CONDITIONS/REMARKS
SUPPLY VOLTAGE	5.4	8.0	13.2	VOLTS	-25°C TO 85°C
SUPPLY CURRENT		13	20	mA	MAX @ -25°C, TYP @ 25°C, V <sub>s</sub> =8.0V, EXCLUDES LOAD
OUTPUT CURRENT	1			mA	SINKING OR SOURCING
OUTPUT VOLTAGE SWING (-V)+1.25			(+V)-1.25	VOLTS	MAX CLAMPED @ 9.0 VOLTS MIN
SENSITIVITY	5.3		6.25	mV/NI	@ V <sub>s</sub> =8.0V & 25°C $\Delta$ 5
LINEARITY		.5	1.0	% OF SPAN	DEV FROM STR LINE FROM -I MAX TO +I MAX $\Delta$ 1
V <sub>out</sub> @ $\emptyset$ NULL	.5(V <sub>s</sub> )-2%		.5(V <sub>s</sub> )+2%	VOLTS	25°C
TEMP ERROR-NUL	-.013		+.013	%/°C	-25°C TO 85°C
TEMP ERROR-GAIN	-.06		+.01	5%/°C	-25°C TO 85°C

M CSLA2DK



SUGGESTED HOLE CENTERS  
SCALE 4:1



NOTES

- 1 SUGGESTED I MAX FOR LINEAR OPERATION IS 400 AMPS
- 2 - RECOMMENDED MOUNTING IS 4-40 SQUARE NUT AND .375 LONG 4-40 SCREW
- 3 - CONVENTIONAL CURRENT FLOW IN DIRECTION INDICATED WILL CAUSE AN INCREASE IN OUTPUT VOLTAGE
- 4 - THE DEVICE CANNOT BE DAMAGED BY MAGNETIC OVERDRIVE
- 5 AT V<sub>s</sub> OTHER THAN 8.0 VOLTS, SENSITIVITY = (NUMBER SHOWN) X V<sub>s</sub>/8
- 6 BACKSIDE OF HALL SENSOR IS ELECTRICALLY CONNECTED TO THE "-" TERMINAL

DRAWING NUMBER: CSLA2DK  
 ISSUE: 5  
 PAGE 1 OF 1  
 RELEASE NO. DR-3141-8 REPLACES  
 REVISIONS:  
 A 65790  
 B 79248B  
 C 95704  
 DLM 21 MAR 00  
 FORMTEK DRAWN  
 JAS 18 JUL 89  
 CHECK K A G 2 JUL 89  
 CHECK



THIS DRAWING COVERS A PROPRIETARY ITEM AND IS THE PROPERTY OF MICRO SWITCH, A DIVISION OF HONEYWELL. THIS DRAWING IS NOT TO BE COPIED OR USED WITHOUT THE APPROVAL OF MICRO SWITCH.

**MICRO SWITCH**  
a Honeywell Division

**CURRENT SENSOR**

CATALOG LISTING  
**CSLA2DK**

THIRD ANGLE PROJECTION	
SCALE	2:1
DO NOT SCALE PRINT	
UNLESS OTHERWISE SPECIFIED TOLERANCES ARE	
ONE PLACE	(.0) ±.030
TWO PLACES	(.00) ±.015
THREE PLACES	(.000) ±.005
ANGLES	±
WEIGHT	

MASTER REDUCED

FED. MFG. CODE 91929