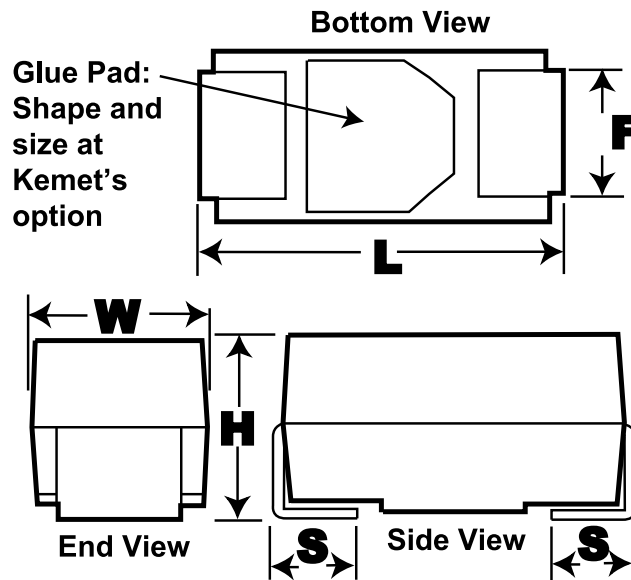


Capacitor, aluminum, 68 uF, +/-20% Tol



Dimensions (mm)

ID	Dimension	Tolerance
L	7.3	+/-0.3
W	4.3	+/-0.3
H	1.9	+/-0.1
F	2.4	+/-0.1
S	1.3	+/-0.3

Specifications

Manufacturer:	KEMET
Value:	68 uF
Rated Temperature:	125C
Voltage @ rated temp:	6.3V
Temperature Range:	-55/+125C
Tolerance:	+/-20%
Footprint:	7343
ESR at 100kHz @ room temp:	18 mOhm
Leakage Current:	17.1 uA
Dissipation Factor:	6%
Ripple 100kHz @ rated temp:	3.9 A
Package Kind:	T&R
Package Size:	7in
Package Quantity:	1000