



PART NO.

MCDM(R) Series

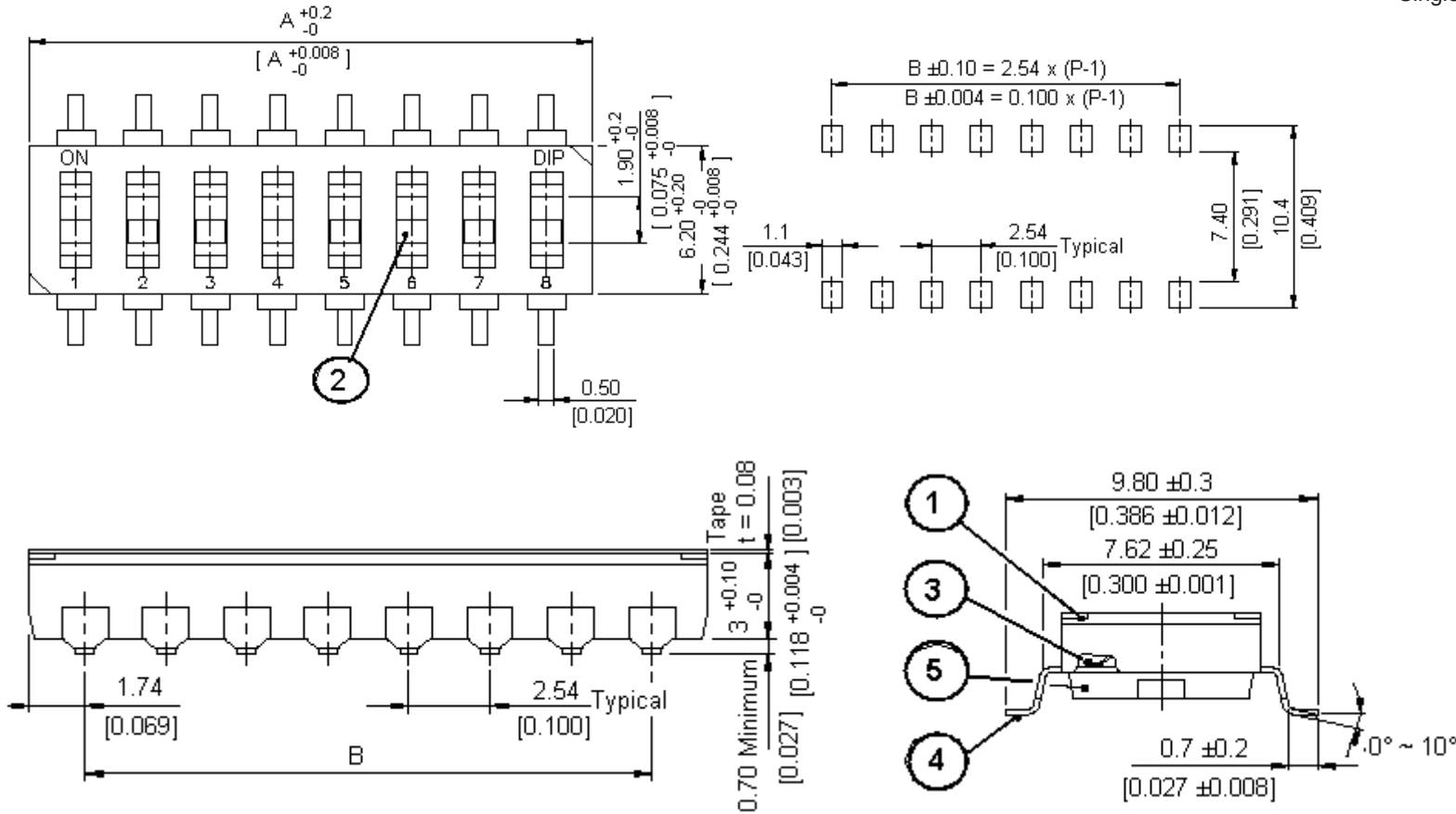
REVISIONS

ECN #	REV	DESCRIPTION	DRAWN	DATE	CHECKD	DATE	APPRVD	DATE
-	A	RELEASED	S. R	17/3/06	K. S	17/3/06	N. K	31/3/06

Low Profile - Surface Mount

Features:

- Single pole single throw DIL switches.



Dimensions : Millimetres (Inches)

This data sheet and its contents (the "Information") belong to the Premier Farnell Group (the "Group") or are licensed to it. No licence is granted for the use of it other than for information purposes in connection with the products to which it relates. No licence of any intellectual property rights is granted. The Information is subject to change without notice and replaces all data sheets previously supplied. The Information supplied is believed to be accurate but the Group assumes no responsibility for its accuracy or completeness, any error in or omission from it or for any use made of it. Users of this data sheet should check for themselves the Information and the suitability of the products for their purpose and not make any assumptions based on information included or omitted. Liability for loss or damage resulting from any reliance on the Information or use of it (including liability resulting from negligence or where the Group was aware of the possibility of such loss or damage arising) is excluded. This will not operate to limit or restrict the Group's liability for death or personal injury resulting from its negligence. MULTICOMP is the registered trademark of the Group. © Premier Farnell plc 2004.

TOLERANCES:

UNLESS OTHERWISE SPECIFIED, DIMENSIONS ARE FOR REFERENCE PURPOSES ONLY.

DRAWN BY:	DATE:
S. Ram	17/03/06
CHECKED BY:	DATE:
K. Suresh	17/03/06
APPROVED BY:	DATE:
N. Kiwomya	31/03/06

DRAWING TITLE:

DM(R) Series - DIL Switches

SIZE	DWG NO.	ELECTRONIC FILE	REV
A	M10000233	213302_DWG	A
SCALE: NTS	U.O.M.: mm (Inches)	SHEET: 1 OF 5	



PART NO.

MCDM(R) Series

REVISIONS

ECN #	REV	DESCRIPTION	DRAWN	DATE	CHECKD	DATE	APPRVD	DATE
-	A	RELEASED	S. R	17/3/06	K. S	17/3/06	N. K	31/3/06

Specifications:

Mechanical:

Mechanical Life : 2000 operations per switch.
 Maximum Operation Force : 1000gf.
 Stroke : 1.0 mm
 Operation Temperature : -20°C to +85°C.
 Storage Temperature : -40°C to +85°C.

Electrical:

Electrical Life : 2000 operations minimum per switch 24V dc, 25mA.
 Non-switching Rating : 100mA, 50V dc.
 Switching Rating : 25mA, 24V dc.
 Contact Resistance : (a) 50mΩ maximum at initial
 (b) 100mΩ maximum after life test.
 Insulation Resistance : 100MΩ minimum 500V dc.
 Dielectric Strength : 500V ac/minute.
 Maximum Capacitance : 5pF.
 Circuit : Single pole single throw.

Materials:

Base and Cover : PPS high-temperature thermoplastic
 Colour : Black.
 Actuator : Nylon thermoplastic (Standard)
 Nylon high-temperature thermoplastic (V-option)
 Colour : White.
 Contact : Alloy copper with gold plated.
 Terminal : Brass with gold plated.
 Contact Plating : Gold plated over nickel.
 Terminal Plating : Gold plated.
 Tape : Kapton.

This data sheet and its contents (the "Information") belong to the Premier Farnell Group (the "Group") or are licensed to it. No licence is granted for the use of it other than for information purposes in connection with the products to which it relates. No licence of any intellectual property rights is granted. The Information is subject to change without notice and replaces all data sheets previously supplied. The Information supplied is believed to be accurate but the Group assumes no responsibility for its accuracy or completeness, any error in or omission from it or for any use made of it. Users of this data sheet should check for themselves the Information and the suitability of the products for their purpose and not make any assumptions based on information included or omitted. Liability for loss or damage resulting from any reliance on the Information or use of it (including liability resulting from negligence or where the Group was aware of the possibility of such loss or damage arising) is excluded. This will not operate to limit or restrict the Group's liability for death or personal injury resulting from its negligence. MULTICOMP is the registered trademark of the Group. © Premier Farnell plc 2004.

TOLERANCES:

UNLESS OTHERWISE SPECIFIED, DIMENSIONS ARE FOR REFERENCE PURPOSES ONLY.

DRAWN BY:	DATE:
S. Ram	17/03/06
CHECKED BY:	DATE:
K. Suresh	17/03/06
APPROVED BY:	DATE:
N. Kiwomya	31/03/06

DRAWING TITLE:

DM(R) Series - DIL Switches

SIZE A	DWG NO. M10000233	ELECTRONIC FILE 213302_DWG	REV A



PART NO.

MCDM(R) Series

REVISIONS

ECN #	REV	DESCRIPTION	DRAWN	DATE	CHECKD	DATE	APPRVD	DATE
-	A	RELEASED	S. R	17/3/06	K. S	17/3/06	N. K	31/3/06

Soldering and Cleaning Process:

For best results, please follow these recommendation:

Keep all switch contacts in their "OFF" position for all operations.

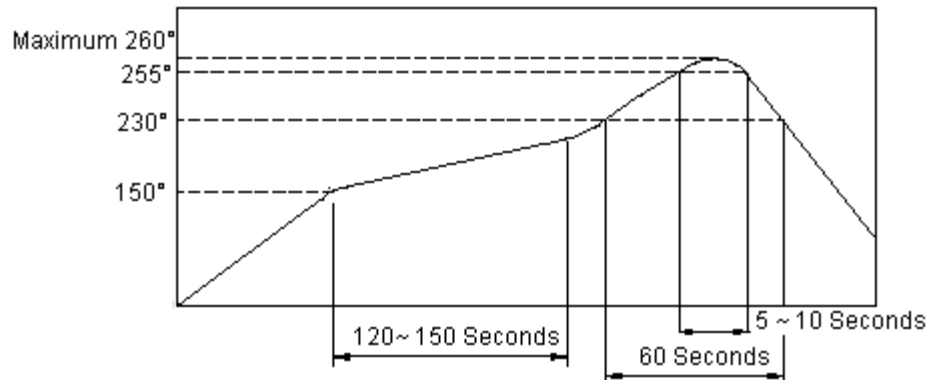
Wave Soldering: Recommended solder temperature at 500°F (260°C) maximum of 5 seconds for through hole type.

Hand Soldering: Use a soldering iron of 30 watts, controlled at 350°C approximately 5 seconds.

Reflow Soldering: When applying reflow soldering, the peak temperature or the reflow oven should be set at 260°C maximum.

Any flux enters the switch may fail the conductivity.

Do not clean the switch body except top tape sealed type, which only suitable for spray cleaning method from top of the s/w.



Specifications Table

Number of Positions	Dimension A	Dimension B	Part Number
02	6.02 (0.237)	2.54 (0.100)	MCDM(R)-02-T
04	11.10 (0.437)	7.62 (0.300)	MCDM(R)-04-T
06	16.18 (0.637)	12.70 (0.500)	MCDM(R)-06-T
08	21.26 (0.837)	17.78 (0.700)	MCDM(R)-08-T
10	26.34 (1.037)	22.86 (0.900)	MCDM(R)-10-T

Dimensions : Millimetres (Inches)

This data sheet and its contents (the "Information") belong to the Premier Farnell Group (the "Group") or are licensed to it. No licence is granted for the use of it other than for information purposes in connection with the products to which it relates. No licence of any intellectual property rights is granted. The Information is subject to change without notice and replaces all data sheets previously supplied. The Information supplied is believed to be accurate but the Group assumes no responsibility for its accuracy or completeness, any error in or omission from it or for any use made of it. Users of this data sheet should check for themselves the Information and the suitability of the products for their purpose and not make any assumptions based on information included or omitted. Liability for loss or damage resulting from any reliance on the Information or use of it (including liability resulting from negligence or where the Group was aware of the possibility of such loss or damage arising) is excluded. This will not operate to limit or restrict the Group's liability for death or personal injury resulting from its negligence. MULTICOMP is the registered trademark of the Group. © Premier Farnell plc 2004.

TOLERANCES:

UNLESS OTHERWISE SPECIFIED, DIMENSIONS ARE FOR REFERENCE PURPOSES ONLY.

DRAWN BY:	DATE:
S. Ram	17/03/06
CHECKED BY:	DATE:
K. Suresh	17/03/06
APPROVED BY:	DATE:
N. Kiwomya	31/03/06

DRAWING TITLE:

DM(R) Series - DIL Switches

SIZE A	DWG NO. M10000233	ELECTRONIC FILE 213302_DWG	REV A
SCALE: NTS		U.O.M.: mm (Inches)	SHEET: 3 OF 5



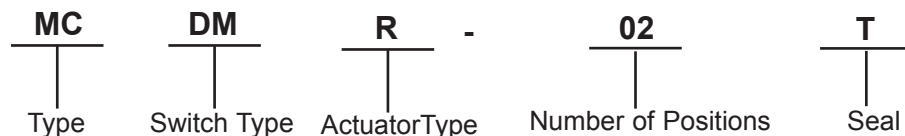
PART NO.

MCDM(R) Series

REVISIONS

ECN #	REV	DESCRIPTION	DRAWN	DATE	CHECKD	DATE	APPRVD	DATE
-	A	RELEASED	S. R	17/3/06	K. S	17/3/06	N. K	31/3/06

Part Number Explanation



- Switch Type** : Surface Mounting Type DIP Switch.
- Actuator Type** : R = Recessed Actuator.
- Number of Positions** : 02, 04, 06, 08 and 10.
- Seal** : T = Top Tape Sealed.

This data sheet and its contents (the "Information") belong to the Premier Farnell Group (the "Group") or are licensed to it. No licence is granted for the use of it other than for information purposes in connection with the products to which it relates. No licence of any intellectual property rights is granted. The Information is subject to change without notice and replaces all data sheets previously supplied. The Information supplied is believed to be accurate but the Group assumes no responsibility for its accuracy or completeness, any error in or omission from it or for any use made of it. Users of this data sheet should check for themselves the Information and the suitability of the products for their purpose and not make any assumptions based on information included or omitted. Liability for loss or damage resulting from any reliance on the Information or use of it (including liability resulting from negligence or where the Group was aware of the possibility of such loss or damage arising) is excluded. This will not operate to limit or restrict the Group's liability for death or personal injury resulting from its negligence. MULTICOMP is the registered trademark of the Group. © Premier Farnell plc 2004.

TOLERANCES:
UNLESS OTHERWISE SPECIFIED, DIMENSIONS ARE FOR REFERENCE PURPOSES ONLY.

DRAWN BY:	DATE:
S. Ram	17/03/06
CHECKED BY:	DATE:
K. Suresh	17/03/06
APPROVED BY:	DATE:
N. Kiwomya	31/03/06

DRAWING TITLE:			
DM(R) Series - DIL Switches			
SIZE	DWG NO.	ELECTRONIC FILE	REV
A	M10000233	213302_DWG	A
SCALE: NTS		U.O.M.: mm (Inches)	SHEET: 4 OF 5



PART NO.

MCDM(R) Series

REVISIONS

ECN #	REV	DESCRIPTION	DRAWN	DATE	CHECKD	DATE	APPRVD	DATE
-	A	RELEASED	S. R	17/3/06	K. S	17/3/06	N. K	31/3/06

Notes:

International Sales Offices:

- AUSTRALIA - Farnell InOne**
Tel No: ++ 61 2 9645 8888
Fax No: ++ 61 2 9644 7898
- AUSTRIA - Farnell InOne**
Tel No: ++ 43 662 2180 680
Fax No: ++ 43 662 2180 670
- BELGIUM - Farnell InOne**
Tel No: ++ 32 3 475 2810
Fax No: ++ 32 3 227 3648
- BRAZIL - Farnell-Newark InOne**
Tel No: ++ 55 11 4066 9400
Fax No: ++ 55 11 4066 9410
- CHINA - Farnell-Newark InOne**
Tel No: ++86 10 6238 5152
Fax No: ++86 10 6238 5022
- DENMARK - Farnell InOne**
Tel No: ++ 45 44 53 66 44
Fax No: ++ 45 44 53 66 06
- ESTONIA - Farnell InOne**
Tel No: ++ 358 9 560 7780
Fax No: ++ 358 9 345 5411
- FINLAND - Farnell InOne**
Tel No: ++ 358 9 560 7780
Fax No: ++ 358 9 345 5411
- FRANCE - Farnell InOne**
Tel No: ++ 33 474 68 99 99
Fax No: ++ 33 474 68 99 90
- GERMANY - Farnell InOne**
Tel No: ++ 49 89 61 39 39 39
Fax No: ++ 49 89 613 59 01
- HONG KONG - Farnell-Newark InOne**
Tel No: ++ 852 2268 9888
Fax No: ++ 852 2268 9899
- IRELAND - Farnell InOne**
Tel No: ++ 353 1 830 9277
Fax No: ++ 353 1 830 9016
- ITALY - Farnell InOne**
Tel No: ++ 39 02 93 995 200
Fax No: ++ 39 02 93 995 300
- MALAYSIA - Farnell-Newark InOne**
Tel No: ++ 60 3 7873 8000
Fax No: ++ 60 3 7873 7000
- NETHERLANDS - Farnell InOne**
Tel No: ++ 31 30 241 7373
Fax No: ++ 31 30 241 7333
- NORWAY - Farnell InOne**
Tel No: ++ 45 44 53 66 66
Fax No: ++ 45 44 53 66 02
- PORTUGAL - Farnell InOne**
Tel No: ++ 34 93 475 8804
Fax No: ++ 34 93 474 5288
- SINGAPORE - Farnell-Newark InOne**
Tel No: ++ 65 6788 0200
Fax No: ++ 65 6788 0300
- SPAIN - Farnell InOne**
Tel No: ++ 34 93 475 8805
Fax No: ++ 34 93 474 5107
- SWEDEN - Farnell InOne**
Tel No: ++ 46 8 730 50 00
Fax No: ++ 46 8 83 52 62
- SWITZERLAND - Farnell InOne**
Tel No: ++ 41 1 204 64 64
Fax No: ++ 41 1 204 64 54
- UK - Farnell InOne**
Tel No: ++ 44 8701 200 200
Fax No: ++ 44 8701 200 201
- UK - BuckHickman InOne**
Tel No: ++ 44 8450 510 150
Fax No: ++ 44 8450 510 130
- UK - CPC**
Tel No: ++ 44 8701 202 530
Fax No: ++ 44 8701 202 531

export EXPORT - Farnell InOne
Tel No: ++ 44 8701 200 208
Fax No: ++ 44 8701 200 209
For enquiries from all other markets

- <http://www.farnellinone.com>
- <http://www.buckhickmaninone.com>
- <http://www.cpc.co.uk>

This data sheet and its contents (the "Information") belong to the Premier Farnell Group (the "Group") or are licensed to it. No licence is granted for the use of it other than for information purposes in connection with the products to which it relates. No licence of any intellectual property rights is granted. The Information is subject to change without notice and replaces all data sheets previously supplied. The Information supplied is believed to be accurate but the Group assumes no responsibility for its accuracy or completeness, any error in or omission from it or for any use made of it. Users of this data sheet should check for themselves the Information and the suitability of the products for their purpose and not make any assumptions based on information included or omitted. Liability for loss or damage resulting from any reliance on the Information or use of it (including liability resulting from negligence or where the Group was aware of the possibility of such loss or damage arising) is excluded. This will not operate to limit or restrict the Group's liability for death or personal injury resulting from its negligence. MULTICOMP is the registered trademark of the Group. © Premier Farnell plc 2004.

TOLERANCES:
UNLESS OTHERWISE SPECIFIED, DIMENSIONS ARE FOR REFERENCE PURPOSES ONLY.

DRAWN BY:	DATE:
S. Ram	17/03/06
CHECKED BY:	DATE:
K. Suresh	17/03/06
APPROVED BY:	DATE:
N. Kiwomya	31/03/06

DRAWING TITLE:			
DM(R) Series - DIL Switches			
SIZE	DWG NO.	ELECTRONIC FILE	REV
A	M10000233	213302_DWG	A
SCALE: NTS		U.O.M.: mm (Inches)	SHEET: 5 OF 5