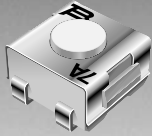


\*RoHS COMPLIANT



**BOURNS®**

**Features**

- Compatible with most surface mount soldering processes
- Compatible with popular vacuum pick-and-place equipment
- J-hook, gull-wing & pinned configurations
- Sealed for board washing
- Meets EIA/EIAJ/IPC/VRCI SMD standard outline dimensions
- Top or side actuated
- RoHS compliant\*

**7914 4 mm SMD & Through-hole Sealed Key Switch**

**Electrical Characteristics**

Contact Rating  
 Maximum Current .....100 mA max.  
 Maximum Voltage .....16 V  
 Contact Resistance .....100 milliohms max.  
 Insulation Resistance ...100 megohms min.  
 Dielectric Strength .....250 VAC

**General Characteristics**

Switch Type .....Normally open  
 Operating Temperature Range .....-55 °C to +125 °C  
 Storage Temperature Range .....-55 °C to +125 °C  
 Seal Test .....85 °C Fluorinert<sup>†</sup>  
 Vibration .....20 G  
 Shock .....100 G

**Mechanical Characteristics**

Actuator Force .....300 ± 100 g  
 Pushover Strength (S Style) .....2 kilograms minimum  
 Cycle life, loaded .....100,000 actuations  
 Contact resistance .....100 milliohms max.

**Physical Characteristics**

Cover Material .....Stainless steel  
 Base Material .....Thermoplastic, UL94V-0  
 Terminal Material .....Phosphor bronze  
 Dome Material .....Stainless steel  
 Actuator Material .....High temperature silicon rubber  
 Marking .....Manufacturer's code and date code

Packaging Options  
 J & G .....500 pcs./reel; 50 pcs./tube  
 S .....200 pcs./reel  
 H .....50 pcs./tube

**How to Order**

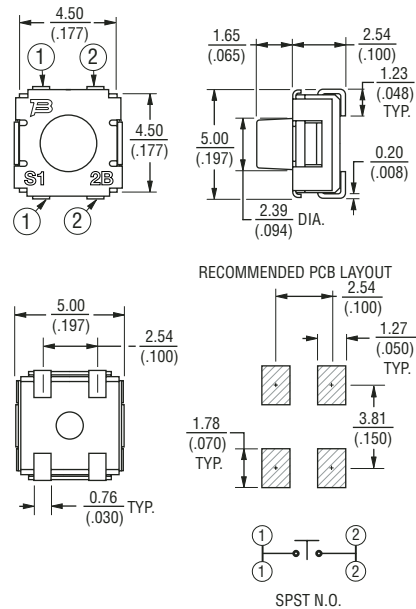
**7914 J - 1 - 000 E**

Model \_\_\_\_\_  
 Terminal \_\_\_\_\_  
 J = J-Hook H = Through-hole  
 G = Gull Wing S = Right Angle  
 Switch Type \_\_\_\_\_  
 1 = N.O. Au Contacts  
 Product Code for Button Height (For Styles J, G and H)  
 000 = 4.0 mm FMS  
 024 = 2.4 mm FMS (Flush Actuator)  
 032 = 3.2 mm FMS  
 050 = 5.0 mm FMS (Tube packaging only)  
 (For Style S)  
 000 = 1.68 mm FTS  
 032 = 0.91 mm FTS  
 024 = Flush Actuator  
 050 = 2.7 mm FTS  
 Embossed Tape (Option applicable to Styles J, G and S only - Consult factory. Omit for Style J & G tube packaging.)  
 G, J = 500 pcs./reel S = 200 pcs./reel

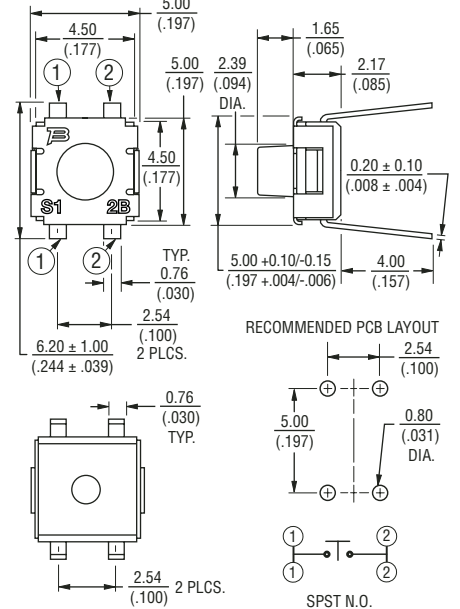
FMS = From Mounting Surface  
 FTS = From Top Surface

**Product Dimensions**

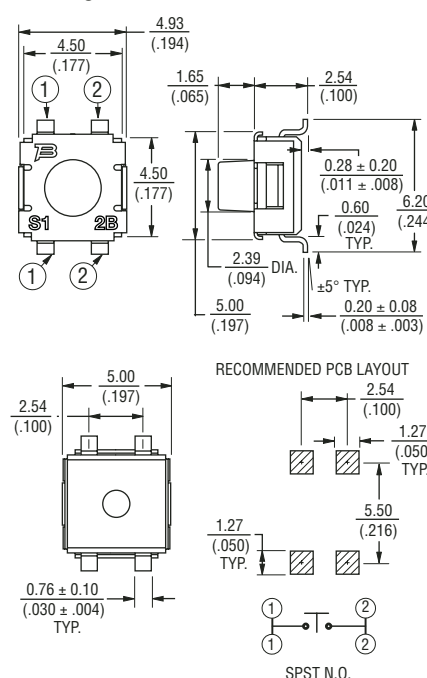
**7914J J-Hook**



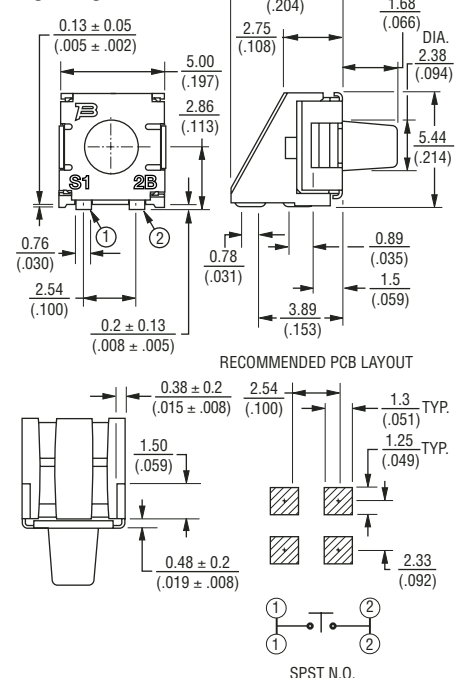
**7914H Through-hole**



**7914G Gull Wing**



**7914S Right Angle**



DIMENSIONS :  $\frac{\text{MM}}{\text{(INCHES)}}$   
 TOLERANCES :  $\frac{0.2}{(0.008)}$   
 EXCEPT WHERE NOTED.

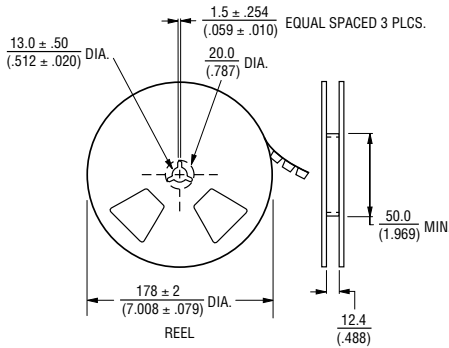
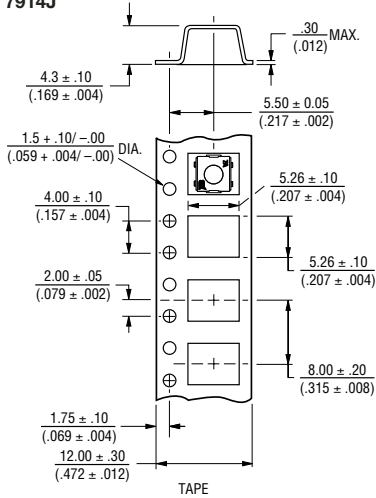
\*RoHS Directive 2002/95/EC Jan 27 2003 including Annex.  
<sup>†</sup>Fluorinert<sup>™</sup> is a registered trademark of 3M Co.  
 Specifications are subject to change without notice.  
 Customers should verify actual device performance in their specific applications.

# 7914 4 mm SMD & Through-hole Sealed Key Switch

**BOURNS®**

## Packaging Specifications

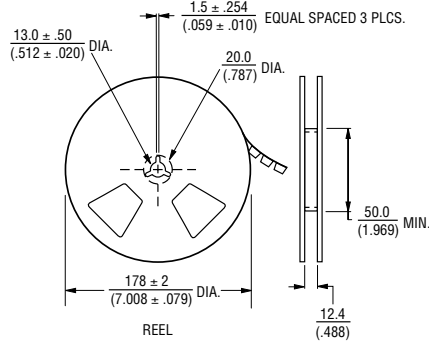
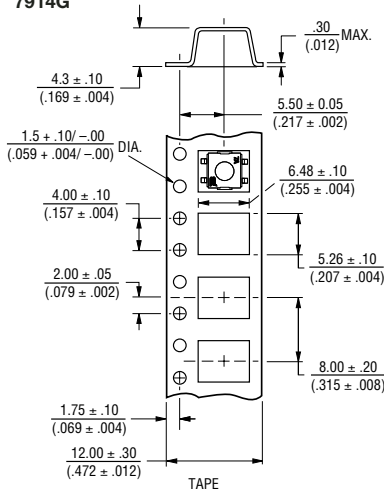
**7914J**



Meets EIA specification 481.

500 pcs./reel

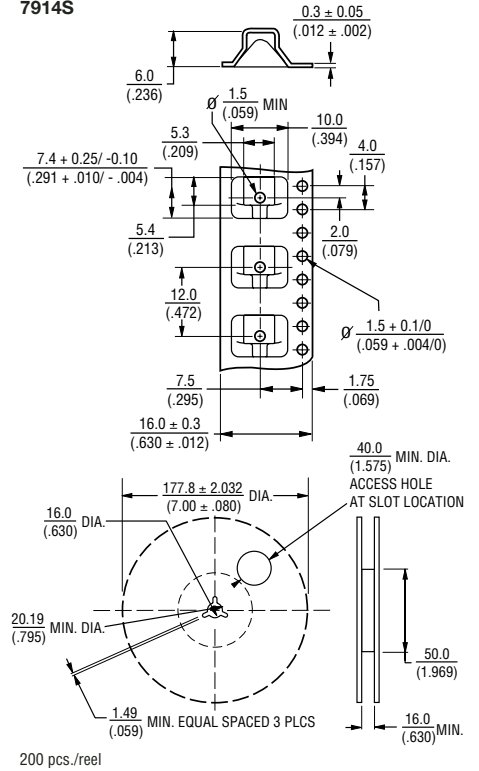
**7914G**



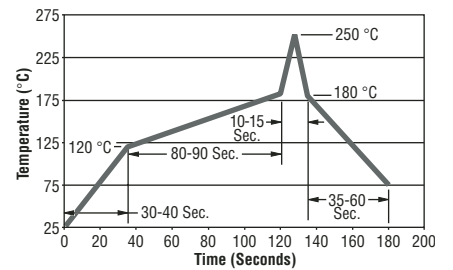
Meets EIA specification 481.

500 pcs./reel

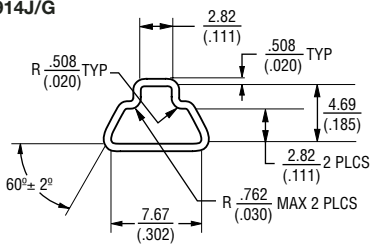
**7914S**



## Reflow Soldering Profile

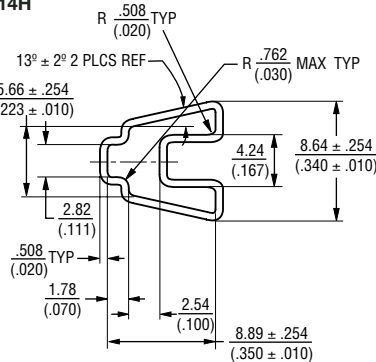


**7914J/G**



50 pcs./tube

**7914H**



50 pcs./tube

REV. 07/07

Specifications are subject to change without notice. Customers should verify actual device performance in their specific applications.