
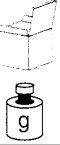


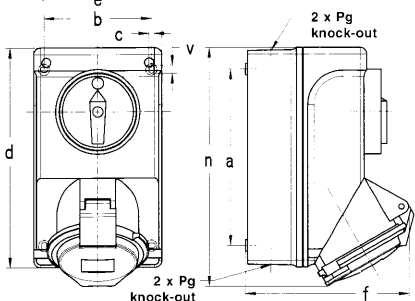



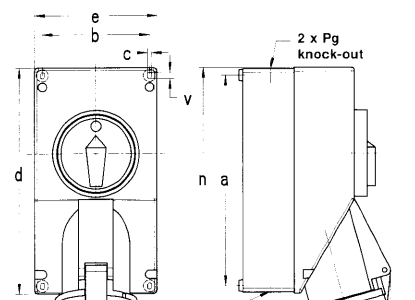


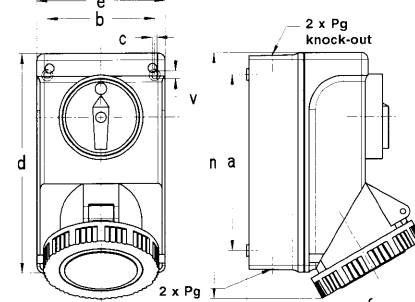
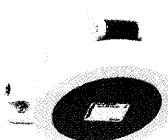


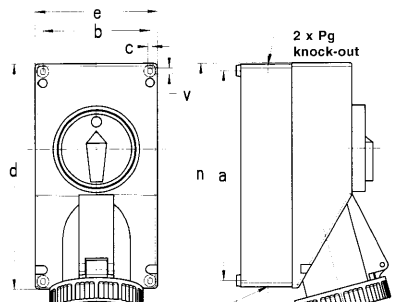



Amp	Volt	Hz	IP Ident. colour + h	Part No.	Wall socket outlets with switch	3 P + 	IEC/EN 60 309		EAN No. 4015609...				
				with double interlocking, switch 3 pole									
16	400	50/60	6	531 24 16					1	039661			
	110	50/60	4	531 24 14							720	039654	
	230	50/60	9	531 24 19									039685
	500	50/60	7	531 24 17									
32	400	50/60	6	531 24 36					1	039722			
	110	50/60	4	531 24 34							895	039715	
	230	50/60	9	531 24 39									039746
	500	50/60	7	531 24 37									
				with double interlocking, switch 3 pole									
63	400	50/60	6	531 24 66					1	039760			
	110	50/60	4	531 24 64							2475	039753	
	230	50/60	9	531 24 69									039784
	500	50/60	7	531 24 67									
				with double interlocking, switch 3 pole									
16	400	50/60	6	531 34 16					1	039975			
	110	50/60	4	531 34 14							765	166305	
	230	50/60	9	531 34 19									153930
	500	50/60	7	531 34 17									
32	400	50/60	6	531 34 36					1	040001			
	110	50/60	4	531 34 34							900	166329	
	230	50/60	9	531 34 39									125586
	500	50/60	7	531 34 37									
				with double interlocking, switch 3 pole									
63	400	50/60	6	531 34 66					1	040025			
	110	50/60	4	531 34 64							2520	040018	
	230	50/60	9	531 34 69									040049
	500	50/60	7	531 34 67									
125	400	50/60	6	531 34 76					1	040056			
	110	50/60	4	531 34 74							8230	166343	
	230	50/60	9	531 34 79									123735
	500	50/60	7	531 34 77									