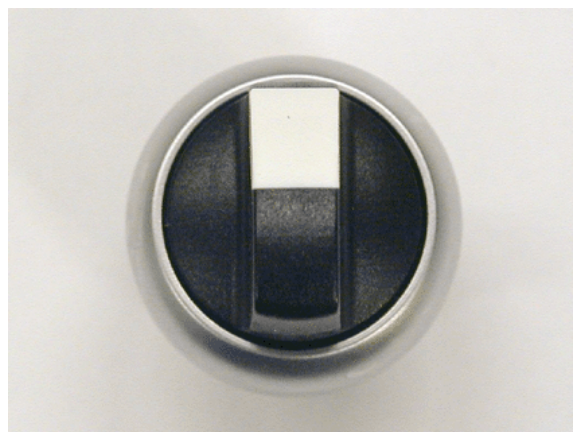


Type: **M22-WK3**
 Article No.: **216870**



Ordering information			
Function:			40°
Function: Function			
Function:			40°
Design			With thumb-grip
Description			3 positions
Front ring			Front ring: titanium
Protection type			IP66

Notes concerning the product group

Front ring gold-plated, → 274150

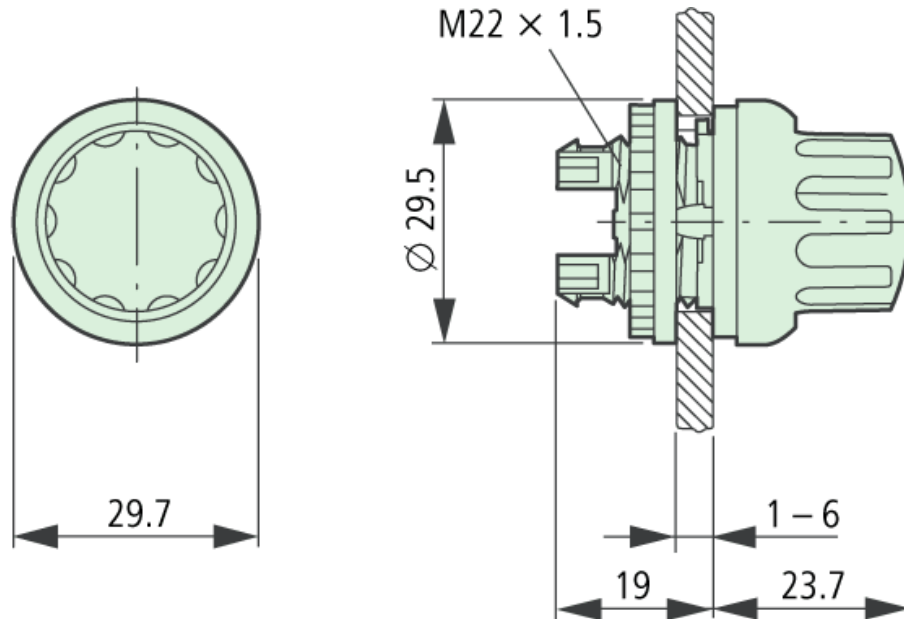
General			
Standards			IEC/EN 60947 VDE 0660
Lifespan, mechanical	Operations	$\times 10^6$	> 0,1
Operating frequency	Operations/h		2000
Operating torque (screw terminals)		Nm	0,3
Degree of protection, IEC/EN 60529			IP66
Climatic proofing			Damp heat, constant, to IEC 60068-2-78 Damp heat, cyclic, to IEC 60068-2-30
Ambient temperature			
Open		°C	-25/70
Mounting position			As required

Mechanical shock resistance
according to IEC 60068-2-27 Shock
duration 11 ms, half-sinusoidal

g > 30

Dimensions

Dimensions



Moeller GmbH, Hein-Moeller-Str. 7-11, D-53115 Bonn

E-Mail: catalog@moeller.net, Internet: www.moeller.net, <http://catalog.moeller.net>

Copyright 2006 by Moeller GmbH. Subject to modifications. HPL-C2006GB-INT V2.3