

DIGITAL TIMERS

TE48 1/16 DIN DUAL DIGITAL TIMER



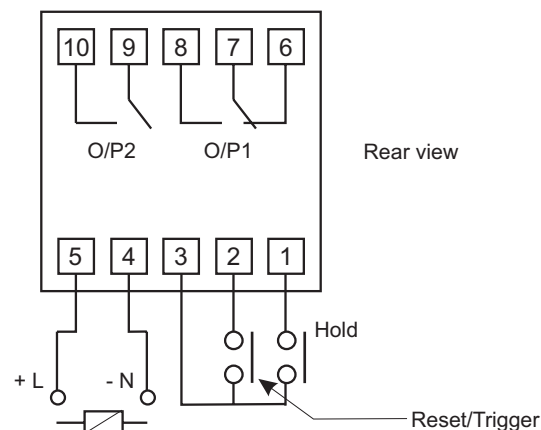
- 11 Programmable modes
- 4 Timing ranges
- Security code
- 2 Timed or 1 time + 1 inst contacts
- Selectable up/down timing
- Programmable reset function
- External hold & reset
- IP65 water & dust protection
- CE emc & low voltage compatible
- Dual LED displays

The TE48 is a panel mounting or plug-in programmable timer, packaged in a 1/16th DIN IP65 rated housing and is an extremely versatile product offering 11 operating modes applied to two timed output relay contacts. When only one of the timers is being used, the other output acts as an instantaneous set of changeover contacts. A single model provides timing from 0.1 seconds to 100 hours.

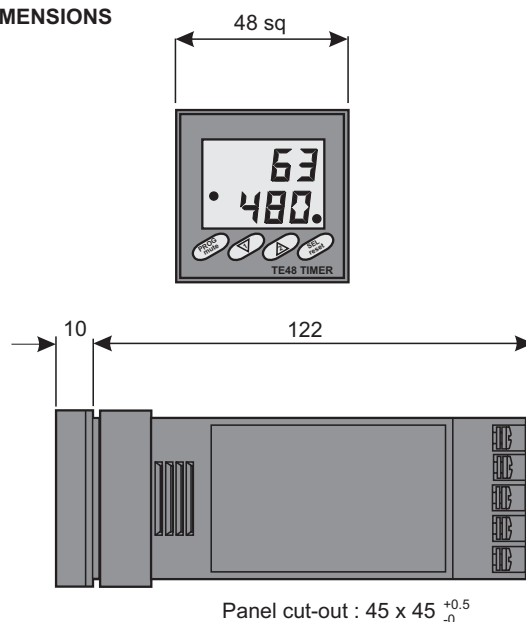
SPECIFICATION

Timing ranges:	0 to 999.9 secs, 0 to 999.9 mins, 0 to 99mins 59 secs, 0 to 99 hrs, 59 mins
Timing modes:	DE, INT, DD, DE-2, IT-2, DD-2, DDE, DEIT, DP, CCT, SEQ, MON.
Supply voltage:	90 to 264Vac @ 50/60Hz or 12 to 24Vac/dc
Supply variation:	+/- 10% of supply voltage.
Power drain:	8VA max.
Output config:	OP1 = SPCO, OP2 = SPNO
Contact ratings:	OP1: 8A @ 240Vac, OP2: 5A @ 240Vac resistive.
Reset time:	100 msecs max.
Ambient cond:	Working temp: 0 to 50°C Storage temp: 0 to 70°C
Approvals:	Complies with CE directives EN50081-1 & EN50082-1 for emc and EN61010-1 for low voltage.
Weight:	250gms

CONNECTION DIAGRAM



DIMENSIONS



Panel cut-out : 45 x 45 ^{+0.5} ₋₀

STANDARD ITEMS

Mode	Time	Voltage	Part Number
All	All	12 - 24Vac/dc	TE4800ML
All	All	90 - 264Vac	TE4800MH