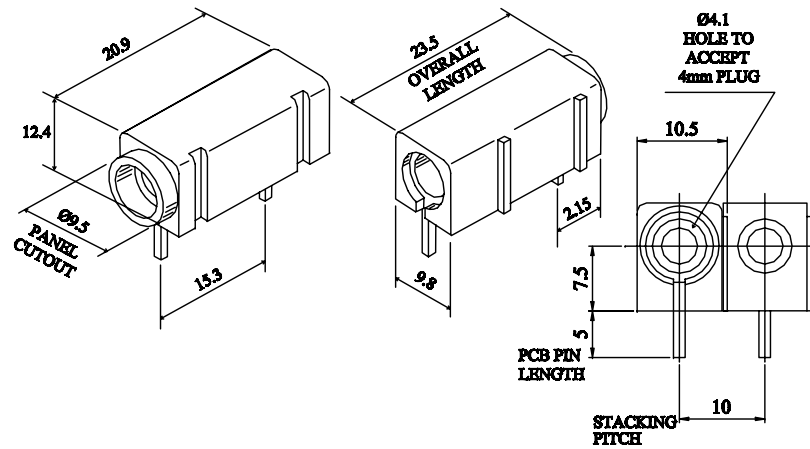


A single insulated 4mm socket, for direct mounting onto printed circuit boards. Has grooves in the outer acetal housing which provide side stacking alignment.

MATERIALS
HOUSING : Acetal
PINS : Brass, silver plate
BUSH : Brass, silver plate
CURRENT RATING : 10 Amps

Dimensions



COLOUR	ORDER CODE
BLACK	571-0100
BLUE	571-0200
BROWN	571-0300
GREEN	571-0400
RED	571-0500
WHITE	571-0600
YELLOW	571-0700

CONVERTED FROM PS0485 ISS5 (02.09.96) IN JAN 2003

DrgNo 571 SERIES		TITLE 90° PCB MOUNTED INSULATED SOCKET – SINGLE			ALL DIMENSIONS IN MM ANGLES IN DECIMAL DEGREES	
ISSUE	5	GENERAL SPECIFICATION FOR 571 SERIES	CUSTOMER		FILTER REF	
		Aprvd Date 13/10/03	Aprvd By MC	Drwn by BS	Scale: NTS	Sheet 1 / 1