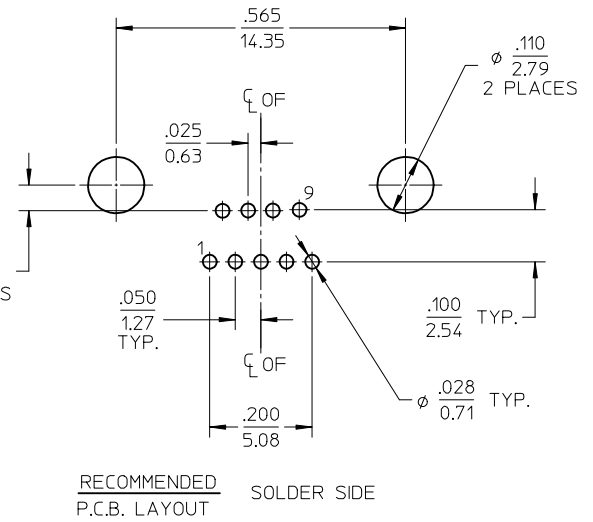
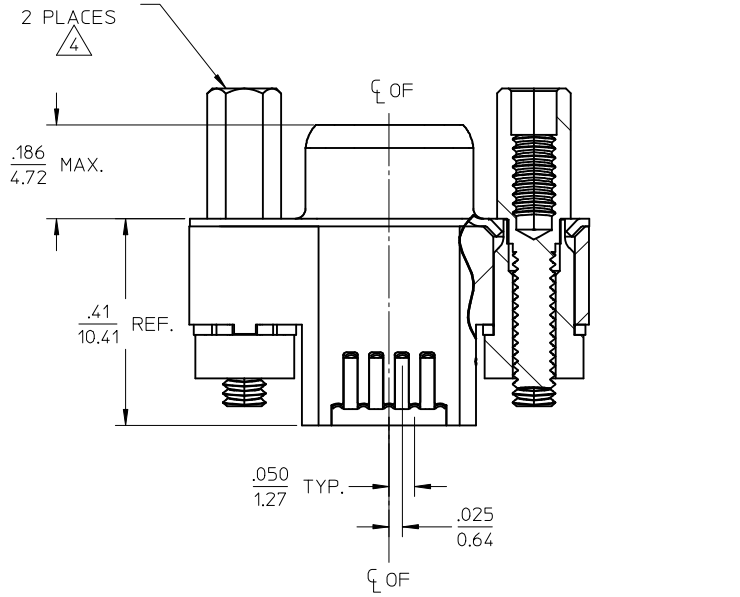
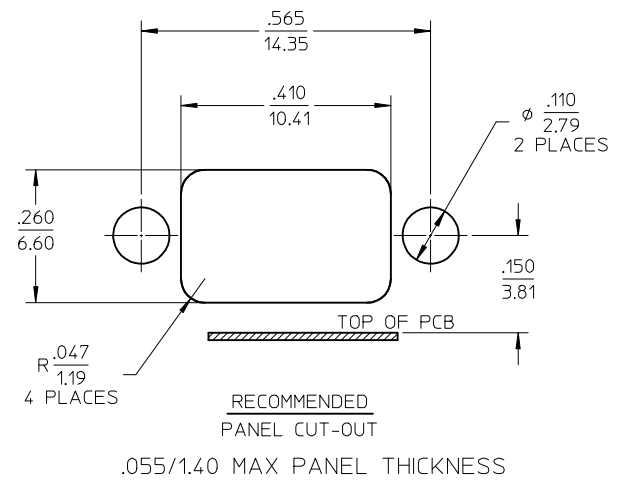
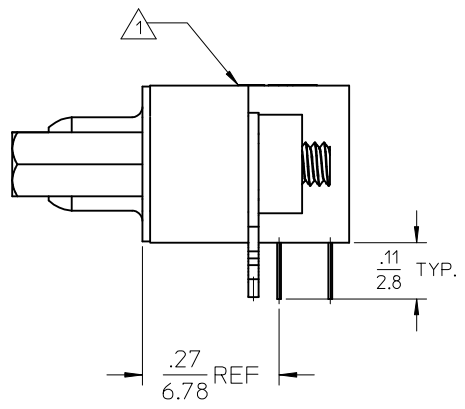
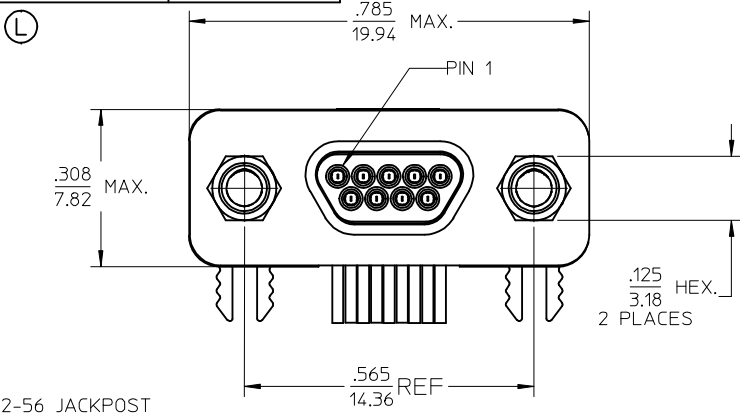


10	9	8	7	6	5	4	3	2	1
MATERIAL NO.	ENG. NO.								
836119006	83611-9006								
836119201	83611-9201								



- NOTES:
- 1. DATE CODE : 08(YR)XX(WEEK)C(CHINA)
 - 2. SEE PS-83421-9000
 - 3. ROHS COMPLIANT.
 - 4. 2.5 IN/LB TORQUE MAX.

REDRAWN EC NO: WNA2010-0095 DRWN:BRUPERT 2009/08/10 CHKD:BRUPERT APPR: JF MURPHY 2009/08/10	QUALITY SYMBOLS	GENERAL TOLERANCES (UNLESS SPECIFIED)	DIMENSION STYLE	SCALE	DESIGN UNITS	THIRD ANGLE PROJECTION																													
	$\nabla=0$ $\square=0$	<table border="1"> <thead> <tr> <th></th> <th>mm</th> <th>INCH</th> </tr> </thead> <tbody> <tr> <td>4 PLACES</td> <td>± ---</td> <td>± ---</td> </tr> <tr> <td>3 PLACES</td> <td>± ---</td> <td>± .005</td> </tr> <tr> <td>2 PLACES</td> <td>± 0.13</td> <td>± .010</td> </tr> <tr> <td>1 PLACE</td> <td>± 0.25</td> <td>± ---</td> </tr> </tbody> </table>		mm	INCH	4 PLACES	± ---	± ---	3 PLACES	± ---	± .005	2 PLACES	± 0.13	± .010	1 PLACE	± 0.25	± ---	<table border="1"> <thead> <tr> <th colspan="2">IN/MM</th> </tr> </thead> <tbody> <tr> <td>DRAWN BY</td> <td>DATE</td> </tr> <tr> <td>JLOMASTR</td> <td>04/09/21</td> </tr> <tr> <td>CHECKED BY</td> <td>DATE</td> </tr> <tr> <td>RDEROSS</td> <td>04/09/28</td> </tr> <tr> <td>APPROVED BY</td> <td>DATE</td> </tr> <tr> <td>RDEROSS</td> <td>04/09/28</td> </tr> </tbody> </table>	IN/MM		DRAWN BY	DATE	JLOMASTR	04/09/21	CHECKED BY	DATE	RDEROSS	04/09/28	APPROVED BY	DATE	RDEROSS	04/09/28	4:1	INCH	
		mm	INCH																																
	4 PLACES	± ---	± ---																																
3 PLACES	± ---	± .005																																	
2 PLACES	± 0.13	± .010																																	
1 PLACE	± 0.25	± ---																																	
IN/MM																																			
DRAWN BY	DATE																																		
JLOMASTR	04/09/21																																		
CHECKED BY	DATE																																		
RDEROSS	04/09/28																																		
APPROVED BY	DATE																																		
RDEROSS	04/09/28																																		
DESCRIPTION	ANGULAR ± 1 °	DRAFT WHERE APPLICABLE MUST REMAIN WITHIN DIMENSIONS	SEE CHART	TITLE CONN,COMMERCIAL-D,PLUG RT ANGLE,JKPOST,SIZE 9																															
REV			SIZE A3	MATERIAL NO. SD-83611-001																															
			THIS DRAWING CONTAINS INFORMATION THAT IS PROPRIETARY TO MOLEX INCORPORATED AND SHOULD NOT BE USED WITHOUT WRITTEN PERMISSION																																