



PPG Industries
 Semco Packaging &
 Application Systems

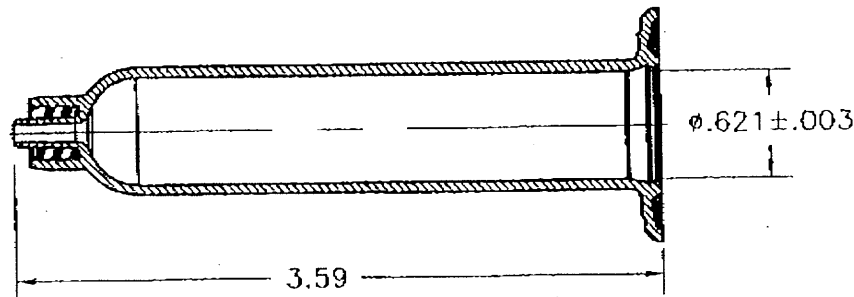
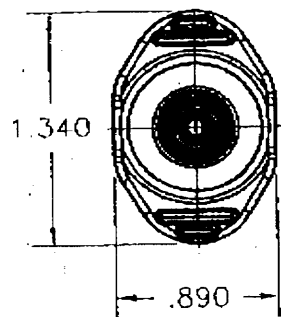
PRC-DeSoto International, INC.
 5454 SAN FERNANDO ROAD, GLENDALE, CALIFORNIA 91203
 (818) 247 7140 Fax (818) 549/867

TITLE	PART NO.	REV.
10 CC HYBRID BARREL	361016	A

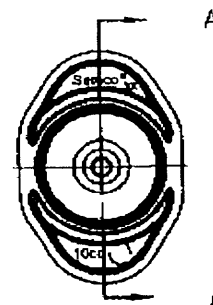
DRW	DATE	CHECK
AN/AN	7/15/99	
APPRV	REL DATE	PAGE
GK	7/15/99	1 OF 1

QTY	ITEM	PART NO.	DESCRIPTION OR MATERIAL
		234500	POLYPROPYLENE, NATURAL (EXXON-1154)

LTR	DATE	BY	APPRV	REVISION
A	12/09/02	AN	VKA	NEW MOLD



SECTION A-A



FILE: MDTS 2001/361016.DWG	DISK JAZ-1
SCALE NONE	TOLERANCES
ALL DIMENSIONS & TOLERANCES ARE IN INCHES, UNLESS OTHERWISE SPECIFIED	DECIMAL .XXX = ± .010
	.XX = ± .025
	.X = ± .050
	FRACTION 1/32 = ± 1/32
	ANGLE ± 30°

LOCTITE NO.



PPG Industries
Semco® Packaging &
Application Systems

PRC-DeSoto International, INC.
 5454 SAN FERNANDO ROAD, GLENDALE, CALIFORNIA 91203
 (818) 247 7140 Fax (818) 549 7867

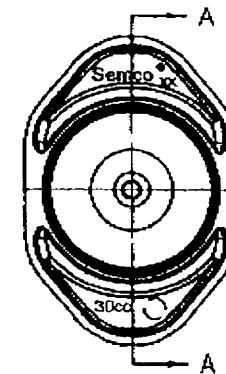
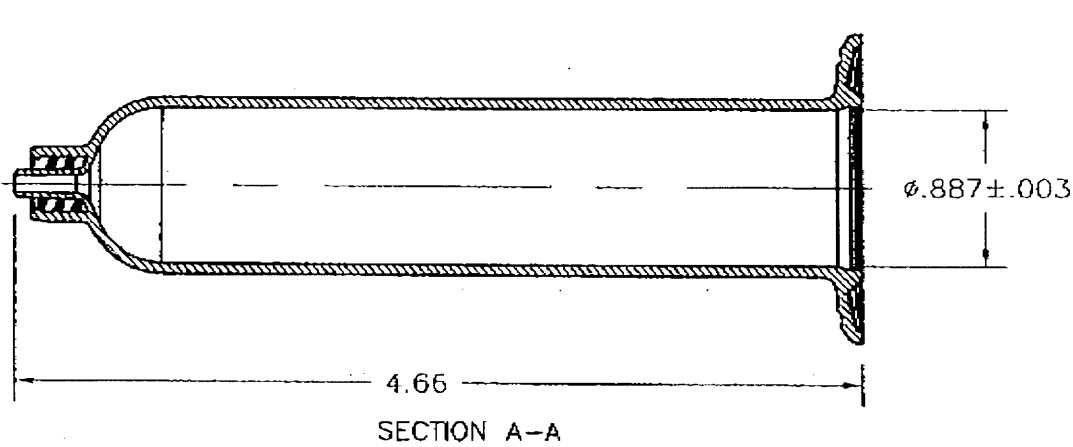
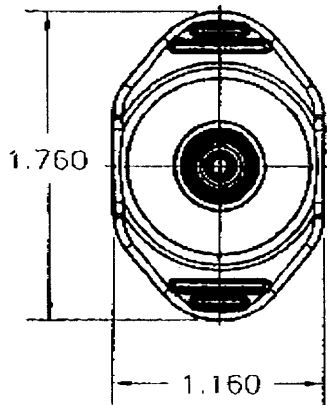
TITLE	PART NO.	REV.
3000 HYBRID BARREL	303016	A

DRN	DATE	CHECK
Armon	11/20/01	

APPRV	REL DATE	PAGE	OF
Saglins	11/21/01	1	7

QTY	ITEM	PART NO.	DESCRIPTION OR MATERIAL
		234599	POLYPROPYLENE, NATURAL (EXXON-1154)

LTR	DATE	BY	APPRV	REVISION
A	8/01/02	AN	ACA	NEW MOLD



FILE: MDTG 2001/363016 .DMG	DISK JAZ-1
SCALE 1:1	TOLERANCES
ALL DIMENSIONS & TOLERANCES ARE IN INCHES, UNLESS OTHERWISE SPECIFIED	DECIMAL .XXX ± .010 .XX ± .025 .X ± .050 FRACTION ANGLE ± 1/32 ± 0.50°

LOCTITE NO.