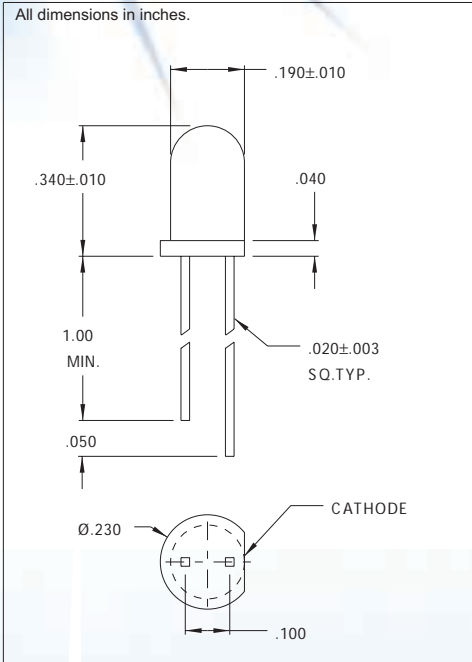




T-1 3/4 Clear Lens LED Lamps

DESCRIPTION AND FEATURES



These non-diffused LED lamps offer high brightness in multiple colors and are designed for backlighting. The High Efficiency Red and Yellow lamps are produced with GaAsP/GaP and the High Efficiency Green lamp is produced with GaP/GaP. This compact, rugged and lightweight LED lamp requires low power and allows for versatile PC board or panel mounting. All devices are available with either cathode long or anode long configurations.

ELECTRO-OPTICAL CHARACTERISTICS AND RATINGS

PART NUMBER	CMD5152*	CMD5352*	CMD5452*	CMD5752*	CMD6152	CMD6352	CMD64520	CMD64521	CMD6752
Output Color	H.E. Red	Yellow	H.E. Green	H.E. Red	H.E. Red	Yellow	H.E. Green	H.E. Green	H.E. Red
Diffusion	Non-Diffused	Diffused	Diffused	Diffused	Diffused	Diffused	Diffused	Diffused	Diffused
Package Color	Amber	Yellow	Green	Red	Amber	Yellow	Green	Green	Red
Test Current (mA)	20	20	20	20	20	20	20	20	20
Forward Voltage Typ. (V)	2.0	2.1	2.2	2.0	2.0	2.1	2.2	2.2	2.0
Forward Voltage Max. (V)	3.0	3.0	3.0	3.0	3.0	3.0	3.0	3.0	3.0
Luminous Intensity Min. (mcd)	17.0	10.0	12.0	17.0	17.0	10.0	12.0	30.0	17.0
Luminous Intensity Typ. (mcd)	100.0	90.0	25.0	100.0	100.0	90.0	25.0	100.0	100.0
Capacitance pF Vr=0, F=1MHz	45	45	20	45	45	45	20	20	45
Peak Wavelength (nm)	635	585	562	635	635	585	562	562	635
Viewing Angle 2θ 1/2 (degrees)	28	28	35	28	28	28	35	35	28
Power Dissipation (mW)	120	120	120	120	120	120	120	120	120
Operating Temperature (°C)	-55 to +100	-55 to +100	-55 to +100	-55 to +100	-55 to +100	-55 to +100	-55 to +100	-55 to +100	-55 to +100
Storage Temperature (°C)	-55 to +100	-55 to +100	-55 to +100	-55 to +100	-55 to +100	-55 to +100	-55 to +100	-55 to +100	-55 to +100
Peak Forward Current Max. (1µs @ 0.3% duty cycle) (mA)	1000	1000	90	1000	1000	1000	90	90	1000
Reverse Voltage (IR=100µA) (V)	5	5	5	5	5	5	5	5	5
Lead Solder Time @ 260°C	5	5	5	5	5	5	5	5	5

* cathode long



America:
CML Innovative Technologies, Inc.
147 Central Avenue
Hackensack -NJ 07601 -USA
Tel: 1-201-489-8989
Fax: 1-201-489-6911
e-mail: americas@cml-it.com

Europe:
CML Technologies GmbH & Co. KG
Robert-Bunsen-Str.1
67098 Bad Dürkheim -GERMANY
Tel: +49 (0)6322 9567-0
Fax: +49 (0)6322 9567-88
e-mail: europe@cml-it.com

Asia:
CML Innovative Technologies, Inc.
61 Aida Street
Singapore 459975
Tel: (65)9630-5003
e-mail: asia@cml-it.com