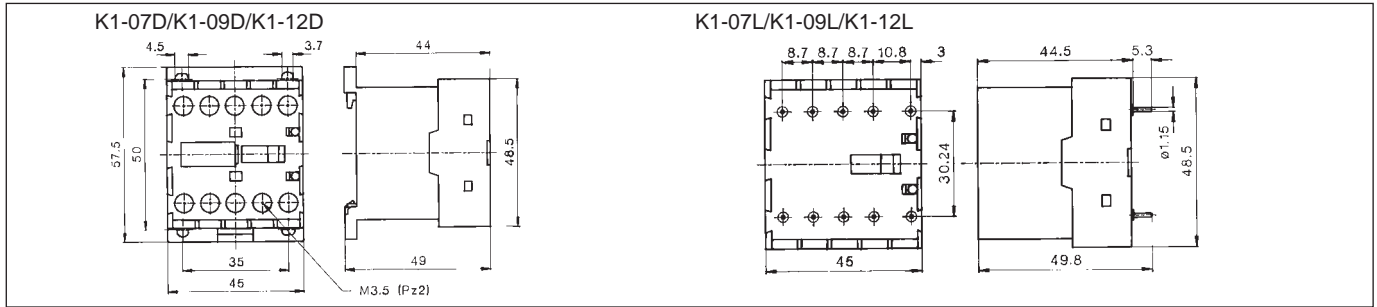


Dimensions (mm)

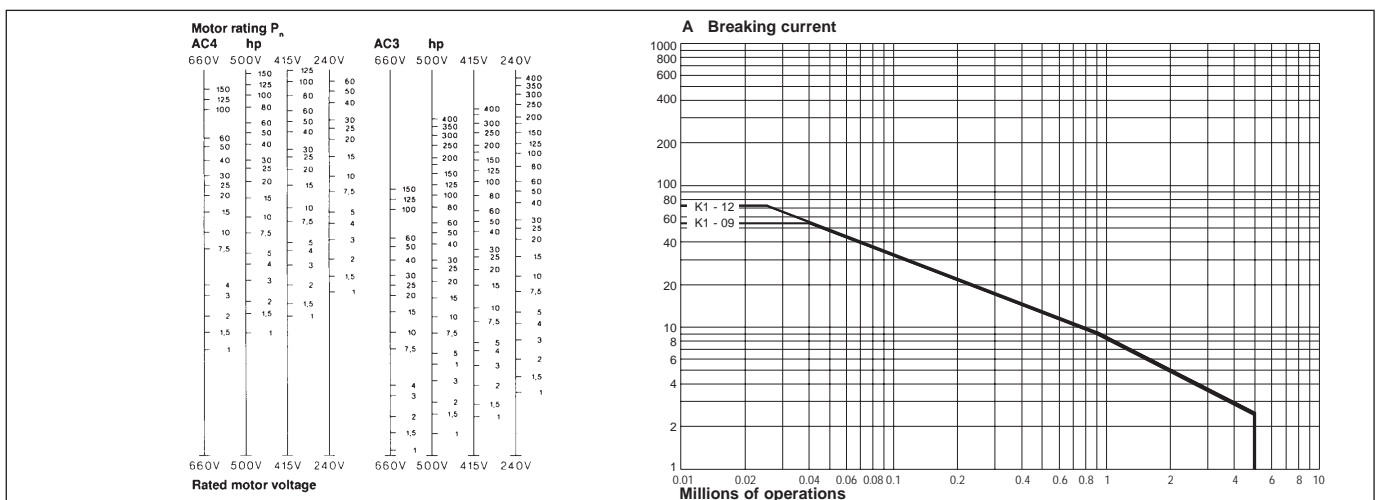


Technical data according to IEC, VDE and BS

TYPE	K1-07D--	K1-07L--	K1-09D--	K1-09L--	K1-12D--	K1-12L--
MOUNTING	DIN	Printed Circuit	DIN	Printed Circuit	DIN	Printed Circuit
MAIN CONTACTS						
Rated Insulation Volts	690	690	690	690	690	690
Max. Frequency of Operation						
AC15	OPS/HR	3000				
AC3	OPS/HR			600		700
Mechanical Life	OPS	5 million		5 million		5 million
AC1	Amps	16	20	16	20	16
AC3	Amps 230V			11.5		14.5
	380-400V			9		12
	KW 230V			3		4
	380-400V			4		5.5
Short Circuit Protection						
Class gl.	Highest Fuse Amps	10	20	16		20
Highest Fuse Amps (without welding)		10	10	10		10
AUXILIARY CONTACTS						
AC15	Amps 230V	3		3		3
	Amps 380-415V	2		2		2
Short Circuit Protection						
Class gl.	Highest Fuse Amps	20		20		20
COIL OPERATION						
AC and DC	Range	0.85 - 1.1		0.85 - 1.1		0.85 - 1.1
AC Inrush	VA	25		25		25
AC Sealed	VA	5		5		5
AC Sealed	W	1.2		1.2		1.2
DC Inrush and Sealed	W	2.5		2.5		2.5
CABLE CROSS SECTION						
Contacts and Coil						
Solid	mm ²	0.75 - 2.5		0.75 - 2.5		0.75 - 2.5
Flexible	mm ²	0.75 - 2.5		0.75 - 2.5		0.75 - 2.5
Flexible with Cable End	mm ²	0.5 - 2.5		0.5 - 2.5		0.5 - 2.5
No. of Conductors		2		2		2
MAXIMUM TEMPERATURE						
Normal use	°C	-40 to +60		-40 to +60		-40 to +60
Storage	°C	-50 to +90		-50 to +90		-50 to +90

Refer to IMO for UL and CSA ratings

Contact life K1-09



Auxiliary contacts

Contacts	For use with
1 make 1 break	K1-07
2 make 2 break	K1-07
1 make 1 break	K1-09/12
2 make 2 break	K1-09/12
1 make 1 break	K1-W09 D01 (LHS)
1 make 1 break	K1-W09 D01 (RHS)

Add-on contacts.
Snap on top of contactor.
Twin bifurcated contacts suitable for low level switching.

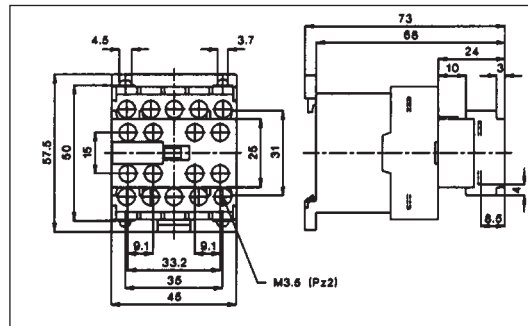


€ Euro prices on request

Ratings

AC1 (I _{th})	10A	690 V AC
AC15	3A	230 V AC
	2A	400 V AC

Dimensions (mm)



Overload

Current Range
0.12-0.18
0.18-0.27
0.27-0.4
0.4-0.6
0.6-0.9
0.8-1.2
1.2-1.8
1.8-2.7
2.7-4
4-6
6-9
8-11
10-14

Hand reset.
Single phase protection.
Trip and alarm contacts.
Ambient temperature compensation -25 to +40°C.



€ Euro prices on request

Dimensions (mm)

