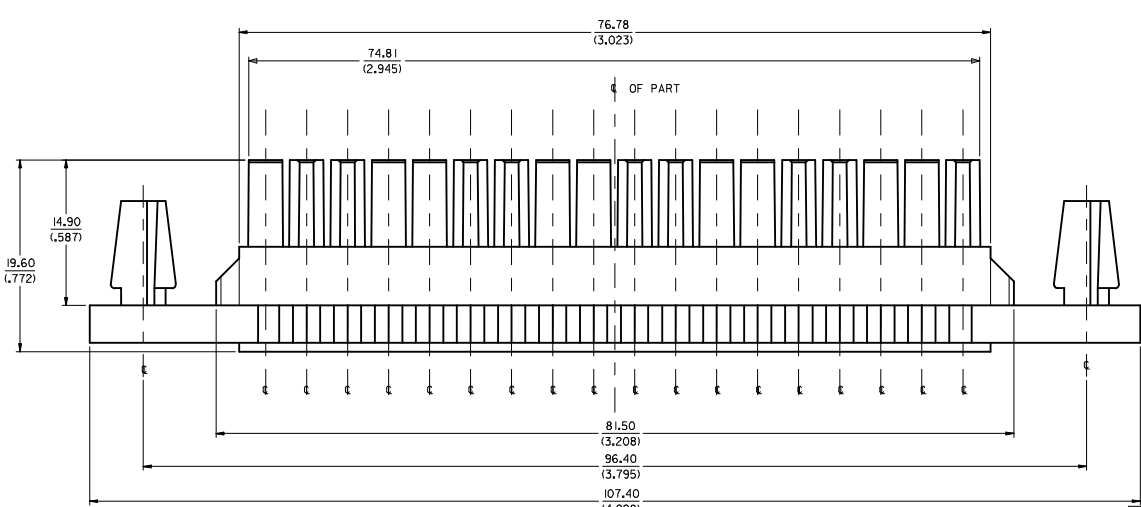
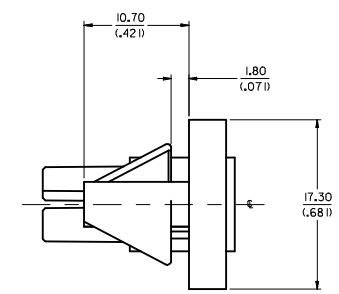
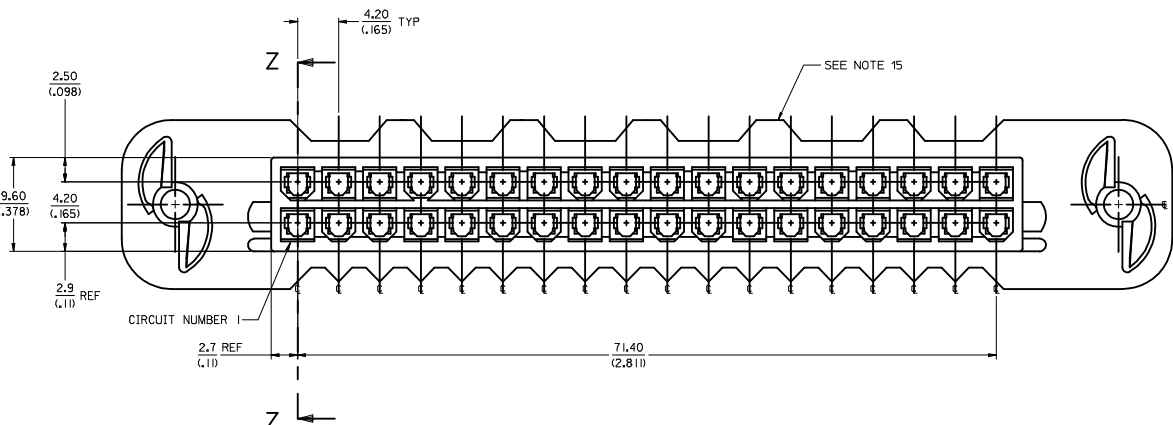


20 19 18 17 16 15 14 13 12 11 10 9 8 7 6 5 4 3 2 1

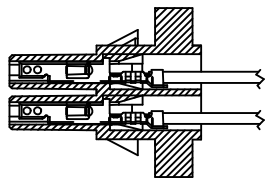


- NOTES:**
- MATERIAL:  
NYLON, 94V-2, COLOR: NATURAL (WHITE).
  - FINISH: NONE
  - PRODUCT SPECIFICATION: PS-43759-0001
  - PACKAGING SPECIFICATION: PK-40873-0134
  - PART MATES WITH MINI-FIT B.M.I. HEADER #43759 AND B.M.I. PLUG # 43770.
  - A MAXIMUM TOLERANCE OF .050/(1.27) ALLOWS FOR 2 POINTS OF ELECTRICAL CONTACT. A MAXIMUM TOLERANCE OF .020/(.51) ALLOWS FOR 4 POINTS OF CONTACT.
  - THIS CONNECTOR ALLOWS FOR .050/(1.27) MAX. MISALIGNMENT IN ANY DIRECTION.
  - CONNECTOR ASSEMBLIES ARE NOT TO BE MATED OR UNMATED WHILE CIRCUITS ARE LIVE.
  - THIS PART IS INTENDED FOR ONE PANEL INSERTION ONLY. REMOVAL AND RE-INSERTION CAN DAMAGE THE MOUNTING SPIRALS.
  - PANEL SHOULD BE PUNCHED IN THE DIRECTION OF CONNECTOR INSERTION.
  - BOTH SPIRALS SHOULD BE INSERTED INTO THE PANEL AT THE SAME TIME. ROCKING THE PART INTO PLACE MAY CAUSE SPIRAL DAMAGE.
  - IF THIS PRODUCT IS STORED IN AN ENVIRONMENT WITH A RELATIVE HUMIDITY OF LESS THAN 50%, MOISTURE MUST BE ADDED. REFER TO TECHNICAL ADVISORY AS-45499-002 FOR INSTRUCTIONS.
  - PART IS FOR USE WITH 5556 OR 44476 SERIES TERMINALS.
  - THIS DIMENSION TO BE USED FOR ALIGNMENT OF THE MATING CONNECTOR.
  - PART MAY OR MAY NOT HAVE OPTIONAL RIBS.
  - THIS PART IS NOT INTENDED TO PROVIDE ANY ALIGNMENT OF CUSTOMER COMPONENTS OR MODULES, SUCH AS POWER SUPPLIES AND CHASSIS.
  - WIRES ARE TO BE DRESSED IN SUCH A MANNER TO ALLOW THE TERMINALS TO FLOAT FREELY IN THE POCKET.
  - THIS PART CONFORMS TO CLASS B REQUIREMENTS OF COSMETIC SPECIFICATION PS-45499-002.

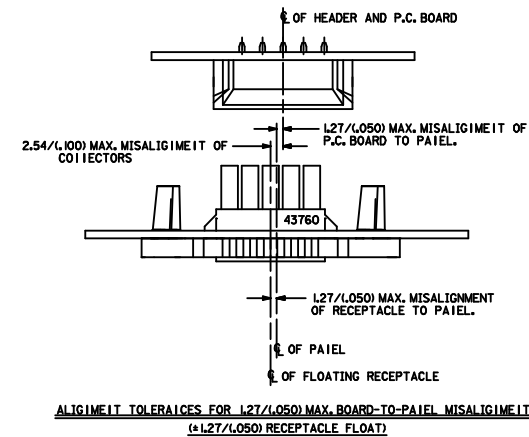
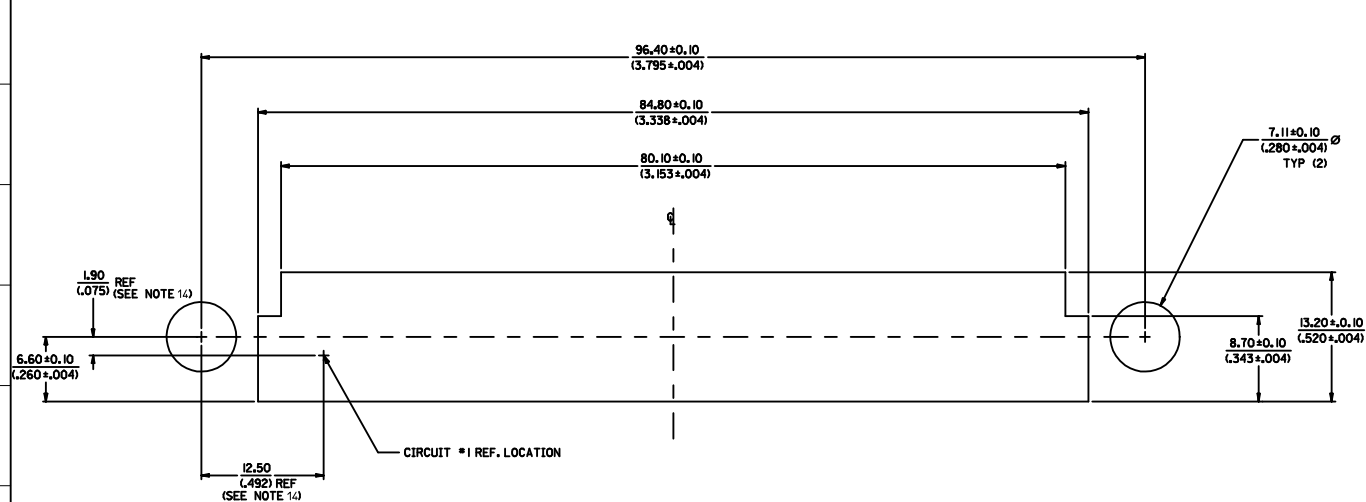
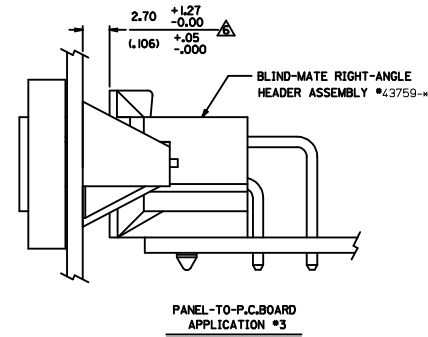
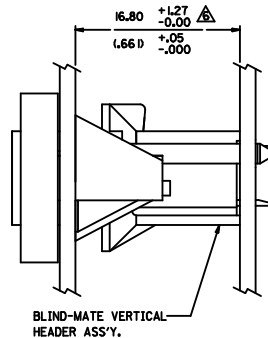
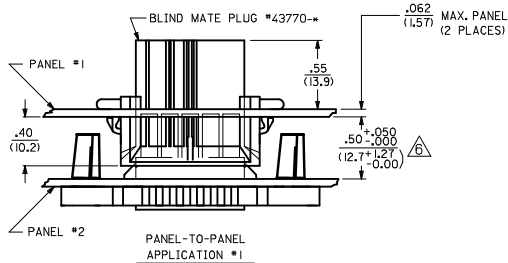
2	D
1	D

<b>ADDED RIBS</b> EC NO. UCP2009-1442 DRAWN: J.KOSTEMER 2008/10/05 CHYK: J.BELL 2008/10/23 APPR: F.S.M.T.H. 2009/01/05	<b>QUALITY SYMBOLS</b> ▽=0 ▽=0	<b>GENERAL TOLERANCES (UNLESS SPECIFIED)</b>		<b>DIMENSION STYLE</b> MM/IN	<b>SCALE</b> 1:1	<b>DESIGN UNITS</b> METRIC	THIRD ANGLE PROJECTION		
		4 PLACES ± .015 3 PLACES ± .015 2 PLACES ± 0.38 1 PLACE ± .015	mm INCH	DRAWN BY MANLAPAZ 06/18/97	DATE 06/18/97	<b>TITLE</b> PANEL-MOUNT RECEPTACLE 36-CIRCUIT BLIND MATE MINI-FIT SERIES			
		ANGULAR ±1/2°	DRAFT WHERE APPLICABLE MUST REMAIN WITHIN DIMENSIONS	APPROVED BY EDGLEY 06/18/97	DATE 06/18/97	<b>MOLEX INCORPORATED</b>			
		MATERIAL NO. 43760-0001	DOCUMENT NO. SD-43760-001	SIZE D THIS DRAWING CONTAINS INFORMATION THAT IS PROPRIETARY TO MOLEX INCORPORATED AND SHOULD NOT BE USED WITHOUT WRITTEN PERMISSION		SHEET NO. 1 OF 2			

19 18 17 16 15 14 13 12 11 10 9 8 7 6 5 4 3 2 1



**SECTION 'Z-Z'**  
TERMINAL ORIENTATION



<b>ADDED RIBS</b> IEC NO. UCP2009-1442 DRAWN: JIKOSTEMER 2008/10/05 CHYK: JIBELL 2008/10/23 APPR: FSWITH 2009/01/05 REV:	QUALITY SYMBOLS	GENERAL TOLERANCES (UNLESS SPECIFIED)	DIMENSION STYLE	SCALE	DESIGN UNITS	THIRD ANGLE PROJECTION
	▽=0 ▽=0	mm INCH 4 PLACES ± --- ± --- 3 PLACES ± --- ±.015 2 PLACES ± 0.38 ± --- 1 PLACE ± --- ± --- ANGULAR ±1/2°	MM/IN	1:1	METRIC	DRAWN BY: MAN LAPAZ DATE: 97/06/18 CHECKED BY: MBANDURA DATE: 97/06/20 APPROVED BY: EDGLEY DATE: 97/06/20
	DRAFT WHERE APPLICABLE MUST REMAIN WITHIN DIMENSIONS	MATERIAL NO. 43760-0001	MOLEX INCORPORATED MOLEX INCORPORATED		TITLE: PANEL-MOUNT RECEPTACLE 36-CIRCUIT BLIND MATE MINI-FIT SERIES DOCUMENT NO. SD-43760-001	
	SIZE D	THIS DRAWING CONTAINS INFORMATION THAT IS PROPRIETARY TO MOLEX INCORPORATED AND SHOULD NOT BE USED WITHOUT WRITTEN PERMISSION		SHEET NO. 2 OF 2		