

5

4

3

2

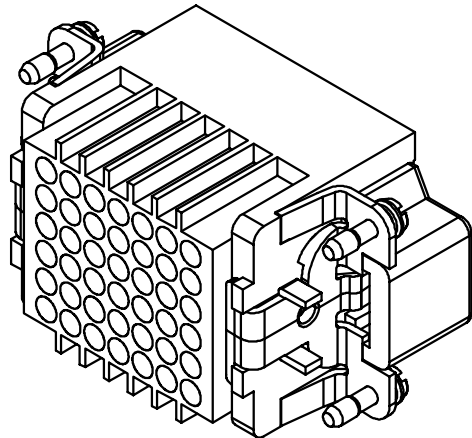
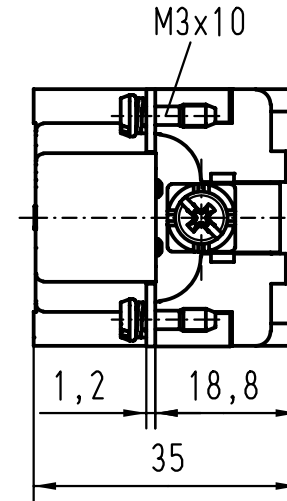
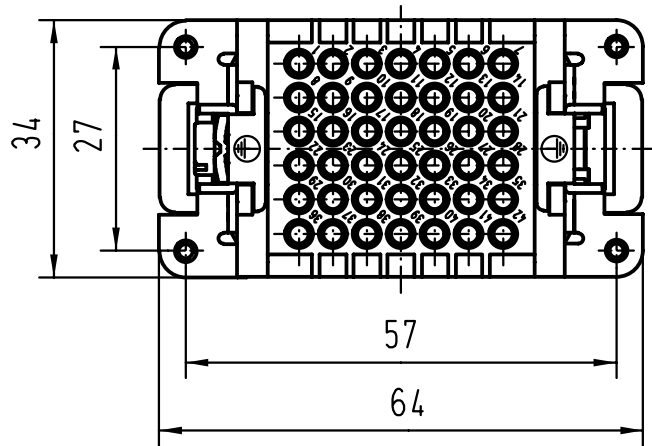
1



D

C

B

A



| | | | | | | | | |
|-----------------------------------------------------------------------------------------------------------------------------------|------|------|-------------------|---------|-------------|---------------------------------------------------------------------------------------|--------------------------|------------------------------------------------------|
|  All Dimensions in mm Original Size DIN A 4 | | | Techn. Character. | | | Nicht tolerierte Masse/ Free size tolerances | | |
| | | | | Dat. | Name | Massstab/Scale 1:1 | | Han 42DD-M-c Stifteinsatz/ male insert |
| | | | | Detail. | 22.03.99 PL | | | |
| | | | | Insp. | SDT | | | |
| | | | | Stand. | | | | |
| 25593 | | | HARTING KGaA | | |  | TB 09 16 042 3001 | Blatt/ page Sub. f. TB 09 16 ... 3001 v. 11.12.92 |
| Mod. | Dat. | Name | D-32339 ESPELKAMP | | | | | |