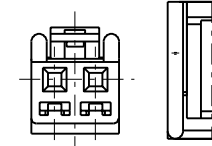
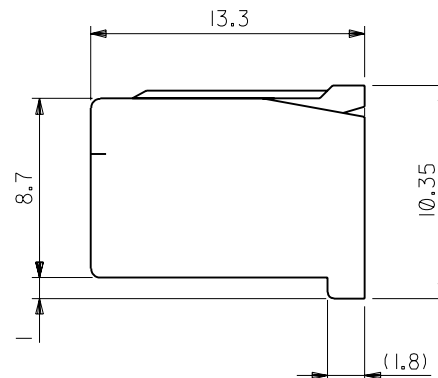


ターミナル装着状態図  
TERMINAL ASSEMBLY DRAWING



2極に適用  
APPLY FOR 2 CKT.

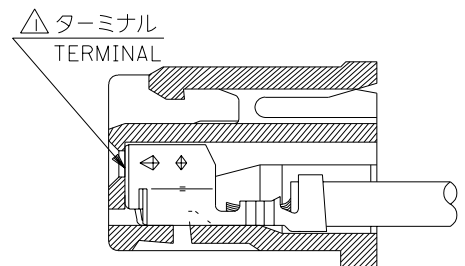
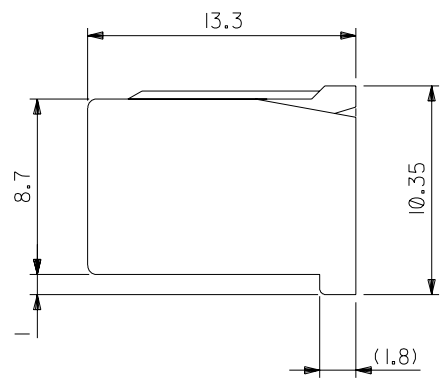
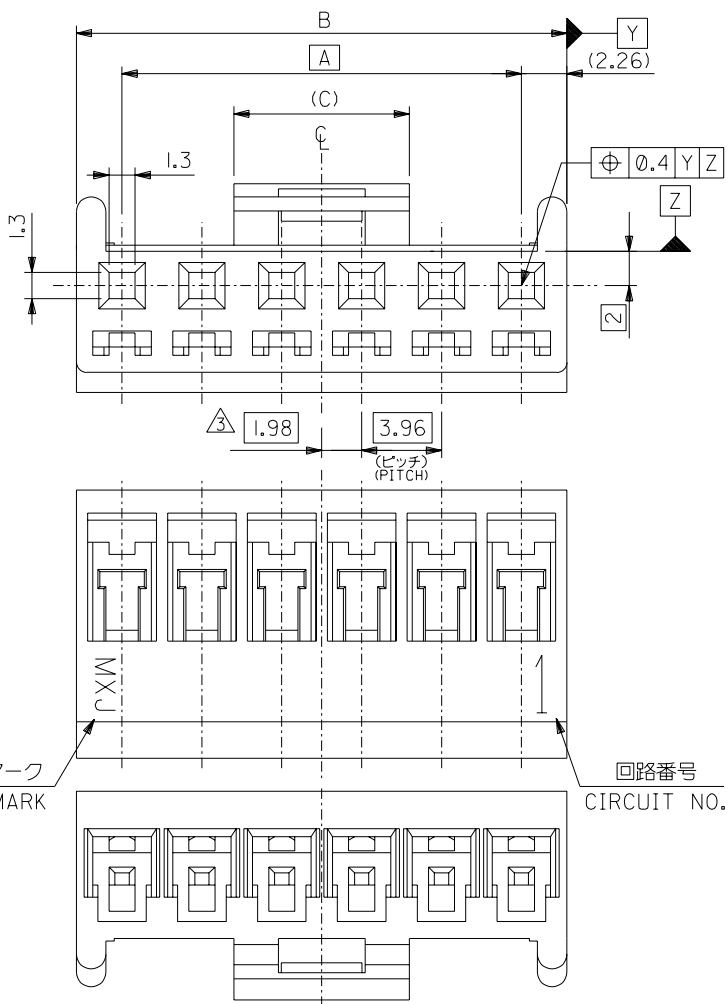
注記 NOTES

- △ 適合ターミナル: 50539-\*\*\*\*  
APPLICABLE TERMINAL: 50539-\*\*\*\*
- 2. 嵌合相手: 53520, 53521, 53525 シリーズ  
MATE WITH: 53520, 53521, 53525 SERIES
- △ 偶数極のみ適用  
APPLY FOR EVEN CKT.

|      |       |       |            |         |
|------|-------|-------|------------|---------|
| 8.7  | 59.96 | 55.44 | 51144-1500 | 15      |
|      | 56    | 51.48 | -1400      | 14      |
|      | 52.04 | 47.52 | -1300      | 13      |
|      | 48.08 | 43.56 | -1200      | 12      |
|      | 44.12 | 39.6  | -1100      | 11      |
|      | 40.16 | 35.64 | -1000      | 10      |
|      | 36.2  | 31.68 | -0900      | 9       |
|      | 32.24 | 27.72 | -0800      | 8       |
|      | 28.28 | 23.76 | -0700      | 7       |
|      | 24.32 | 19.8  | -0600      | 6       |
|      | 20.36 | 15.84 | -0500      | 5       |
|      | 16.4  | 11.88 | -0400      | 4       |
|      | 12.44 | 7.92  | -0300      | 3       |
| 4.74 | 8.48  | 3.96  | 51144-0200 | 2       |
| (C)  | B     | A     | ENG. NO.   | CKT. 極数 |

|                         |       |                    |                           |          |          |                      |                    |                   |                  |
|-------------------------|-------|--------------------|---------------------------|----------|----------|----------------------|--------------------|-------------------|------------------|
| 角度 ANGLE                | ±3°   |                    |                           |          |          |                      |                    | 材料 MATERIAL       | PBTP, UL94V-0    |
| 30以上 OVER               | +0.3  |                    |                           |          |          |                      |                    | 仕上げ FINISH        | —                |
| 10以上 OVER 30 UNDER      | +0.25 | A                  | 変更 REVISD (J2002-0316)    | T.N.K.   | '01/8/7  |                      |                    | 適用電線範囲 WIRE RANGE | —                |
| 10 UNDER                | +0.2  | 0                  | 新規/FEI RELEASED (JC60058) | T.N.K.   | '95/7/27 |                      |                    | 被覆外径 INS. RANGE   | —                |
| 一般公差 GENERAL TOLERANCES | LTR   | 記号 REVISION RECORD | 変更内容 REVISION RECORD      | DR. CHK. | 日付 DATE  | APP'D BY T.YAMAGUCHI | CHK'D BY K.ASAKAWA | DRAWN BY '95/7/27 | CHK'D BY '01/8/8 |
|                         |       |                    |                           |          |          | T.YAMAGUCHI          | K.ASAKAWA          | 尺度 SCALE          | —                |

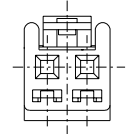
|   |          |
|---|----------|
| MOLEX-JAPAN CO., LTD.<br>日本モレックス株式会社                    |          |
| REVISE ONLY ON CAD SYSTEM                               |          |
| TITLE 名称<br>3.96 WIRE TO BOARD CONN. RECEPTACLE HOUSING |          |
| DWG. NO.<br>SD-51144-**-00                              | REV<br>A |



ターミナル装着状態図  
TERMINAL ASSEMBLY DRAWING

注記 NOTES

- △ 適合ターミナル：50539-\*\*\*\*  
APPLICABLE TERMINAL：50539-\*\*\*\*
- 2. 嵌合相手：53520,53521,53525 シリーズ  
MATE WITH：53520,53521,53525 SERIES
- △ 偶数極のみ適用  
APPLY FOR EVEN CKT.
- 4. 製品型番の下1桁は色を表す。  
LAST DIGIT OF PART NUMBER INDICATES COLOR.  
1：黒 BLACK    2：赤 RED    3：黄 YELLOW  
4：青 BLUE    5：灰 GRAY    6：緑 GREEN  
7：茶 BROWN    8：橙 ORANGE    9：紫 VIOLET  
0：白 WHITE



2極に適用  
APPLY FOR 2 CKT.

| 8.7  | 59.96 | 55.44 | 51144-150*   | 15      |
|------|-------|-------|--------------|---------|
|      | 56    | 51.48 | -140*        | 14      |
|      | 52.04 | 47.52 | -130*        | 13      |
|      | 48.08 | 43.56 | -120*        | 12      |
|      | 44.12 | 39.6  | -110*        | 11      |
|      | 40.16 | 35.64 | -100*        | 10      |
|      | 36.2  | 31.68 | -090*        | 9       |
|      | 32.24 | 27.72 | -080*        | 8       |
|      | 28.28 | 23.76 | -070*        | 7       |
|      | 24.32 | 19.8  | -060*        | 6       |
|      | 20.36 | 15.84 | -050*        | 5       |
|      | 16.4  | 11.88 | -040*        | 4       |
| 8.7  | 12.44 | 7.92  | -030*        | 3       |
| 4.74 | 8.48  | 3.96  | 51144-020*   | 2       |
| (C)  | B     | A     | MATERIAL NO. | CKT. 極数 |

トレードマーク  
TRADE MARK

回路番号  
CIRCUIT NO.

DO NOT SCALE DRAWING

|  |   |   |   |   |   |   |   |   |   |   |   |   |   |   |   |   |   |   |   |  |   |  |  |  |  |  |  |  |  |                          |  |   |  |
|--|---|---|---|---|---|---|---|---|---|---|---|---|---|---|---|---|---|---|---|--|---|--|--|--|--|--|--|--|--|--------------------------|--|---|--|
| 64 NO. DRAWN: CH'K: APPR:<br>63 NO. DRAWN: CH'K: APPR:<br>62 NO. DRAWN: CH'K: APPR:<br>61 NO. DRAWN: CH'K: APPR:               | 60 NO. DRAWN: CH'K: APPR:<br>59 NO. DRAWN: CH'K: APPR:<br>58 NO. DRAWN: CH'K: APPR: | 57 NO. DRAWN: CH'K: APPR:<br>56 NO. DRAWN: CH'K: APPR:<br>55 NO. DRAWN: CH'K: APPR: | 54 NO. DRAWN: CH'K: APPR:<br>53 NO. DRAWN: CH'K: APPR:<br>52 NO. DRAWN: CH'K: APPR: | 51 NO. DRAWN: CH'K: APPR:<br>50 NO. DRAWN: CH'K: APPR:<br>49 NO. DRAWN: CH'K: APPR: | 48 NO. DRAWN: CH'K: APPR:<br>47 NO. DRAWN: CH'K: APPR:<br>46 NO. DRAWN: CH'K: APPR: | 45 NO. DRAWN: CH'K: APPR:<br>44 NO. DRAWN: CH'K: APPR:<br>43 NO. DRAWN: CH'K: APPR: | 42 NO. DRAWN: CH'K: APPR:<br>41 NO. DRAWN: CH'K: APPR:<br>40 NO. DRAWN: CH'K: APPR: | 39 NO. DRAWN: CH'K: APPR:<br>38 NO. DRAWN: CH'K: APPR:<br>37 NO. DRAWN: CH'K: APPR: | 36 NO. DRAWN: CH'K: APPR:<br>35 NO. DRAWN: CH'K: APPR:<br>34 NO. DRAWN: CH'K: APPR: | 33 NO. DRAWN: CH'K: APPR:<br>32 NO. DRAWN: CH'K: APPR:<br>31 NO. DRAWN: CH'K: APPR: | 30 NO. DRAWN: CH'K: APPR:<br>29 NO. DRAWN: CH'K: APPR:<br>28 NO. DRAWN: CH'K: APPR: | 27 NO. DRAWN: CH'K: APPR:<br>26 NO. DRAWN: CH'K: APPR:<br>25 NO. DRAWN: CH'K: APPR: | 24 NO. DRAWN: CH'K: APPR:<br>23 NO. DRAWN: CH'K: APPR:<br>22 NO. DRAWN: CH'K: APPR: | 21 NO. DRAWN: CH'K: APPR:<br>20 NO. DRAWN: CH'K: APPR:<br>19 NO. DRAWN: CH'K: APPR: | 18 NO. DRAWN: CH'K: APPR:<br>17 NO. DRAWN: CH'K: APPR:<br>16 NO. DRAWN: CH'K: APPR: | 15 NO. DRAWN: CH'K: APPR:<br>14 NO. DRAWN: CH'K: APPR:<br>13 NO. DRAWN: CH'K: APPR: | 14 NO. DRAWN: CH'K: APPR:<br>13 NO. DRAWN: CH'K: APPR:<br>12 NO. DRAWN: CH'K: APPR: | 13 NO. DRAWN: CH'K: APPR:<br>12 NO. DRAWN: CH'K: APPR:<br>11 NO. DRAWN: CH'K: APPR: | 12 NO. DRAWN: CH'K: APPR:<br>11 NO. DRAWN: CH'K: APPR:<br>10 NO. DRAWN: CH'K: APPR: | 11 NO. DRAWN: CH'K: APPR:<br>10 NO. DRAWN: CH'K: APPR:<br>9 NO. DRAWN: CH'K: APPR: | 10 NO. DRAWN: CH'K: APPR:<br>9 NO. DRAWN: CH'K: APPR:<br>8 NO. DRAWN: CH'K: APPR: | 9 NO. DRAWN: CH'K: APPR:<br>8 NO. DRAWN: CH'K: APPR:<br>7 NO. DRAWN: CH'K: APPR: | 8 NO. DRAWN: CH'K: APPR:<br>7 NO. DRAWN: CH'K: APPR:<br>6 NO. DRAWN: CH'K: APPR: | 7 NO. DRAWN: CH'K: APPR:<br>6 NO. DRAWN: CH'K: APPR:<br>5 NO. DRAWN: CH'K: APPR: | 6 NO. DRAWN: CH'K: APPR:<br>5 NO. DRAWN: CH'K: APPR:<br>4 NO. DRAWN: CH'K: APPR: | 5 NO. DRAWN: CH'K: APPR:<br>4 NO. DRAWN: CH'K: APPR:<br>3 NO. DRAWN: CH'K: APPR: | 4 NO. DRAWN: CH'K: APPR:<br>3 NO. DRAWN: CH'K: APPR:<br>2 NO. DRAWN: CH'K: APPR: | 3 NO. DRAWN: CH'K: APPR:<br>2 NO. DRAWN: CH'K: APPR:<br>1 NO. DRAWN: CH'K: APPR: | 2 NO. DRAWN: CH'K: APPR:<br>1 NO. DRAWN: CH'K: APPR: | 1 NO. DRAWN: CH'K: APPR: | MODEL NO. 51144-***0*  | DIMENSIONS: <input type="checkbox"/> mm <input type="checkbox"/> INCH <input checked="" type="checkbox"/> mm ONLY | SHT 1 REV 02   |
|  |   |   |   |   |   |   |   |   |   |   |   |   |   |   |   |   |   |   |   |  |   |  |  |  |  |  |  |  |  |                          | MATERIAL 材料<br>ポリエステル (PBT)、充填材なし<br>POLYESTER (PBT), UNFILLED,<br>UL94V-0 | GENERAL TOLERANCES:<br>(UNLESS SPECIFIED)<br>一般公差   | SCALE 1:1<br>DESIGN UNITS <input checked="" type="checkbox"/> mm <input type="checkbox"/> INCH |
| FINISH 仕上げ<br>仕上り  | WIRE RANGE 適用線径範囲<br>適用線径範囲   | ANGLE 角度  | CHECKED BY & DATE<br>K.ASAKAWA '02/10/25  | MOLEX MOLEX INCORPORATED  |   |   |   |   |   |   |   |   |   |   |   |   |   |   |   |  |   |  |  |  |  |  |  |  |  |                          |  |   |  |
| INS. RANGE 被覆外径  | WIRE RANGE 適用線径範囲   | ANGLE 角度  | APPROVED BY & DATE<br>T.YAMAGUCHI '02/10/25   |   |   |   |   |   |   |   |   |   |   |   |   |   |   |   |   |  |   |  |  |  |  |  |  |  |  |                          |  |   |  |
| REV 0  | DESCRIPTION<br>回路番号   | CAD FILENAME<br>SD-51144-001.S01  | MATERIAL NO. SEE CHART  | DRAWING NO. SD-51144-001  |   |   |   |   |   |   |   |   |   |   |   |   |   |   |   |  |   |  |  |  |  |  |  |  |  |                          |  |   |  |
| THIS DRAWING CONTAINS INFORMATION THAT IS PROPRIETARY TO MOLEX INCORPORATED AND SHOULD NOT BE USED WITHOUT WRITTEN PERMISSION. |   |   |   |   |   |   |   |   |   |   |   |   |   |   |   |   |   | SIZE B  |   |  |   |  |  |  |  |  |  |  |  |                          |  |   |  |