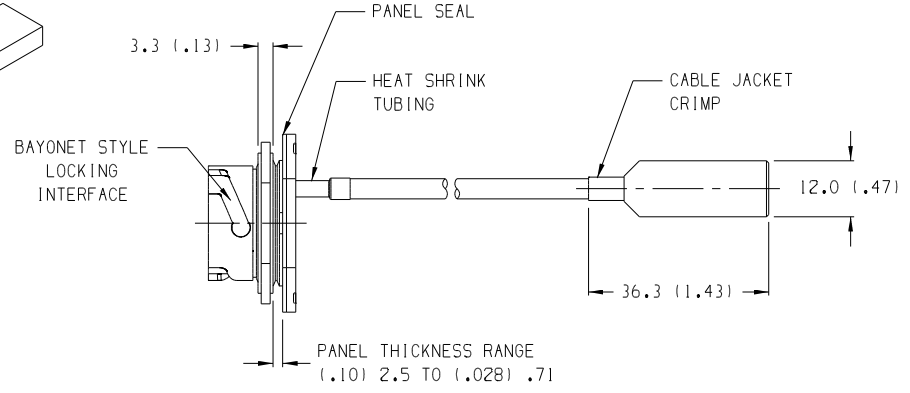
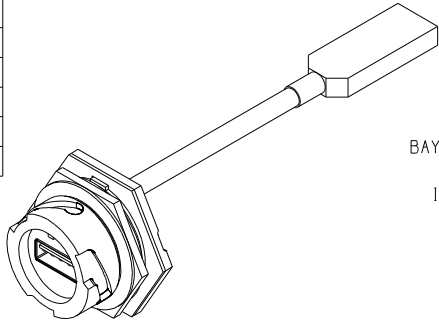
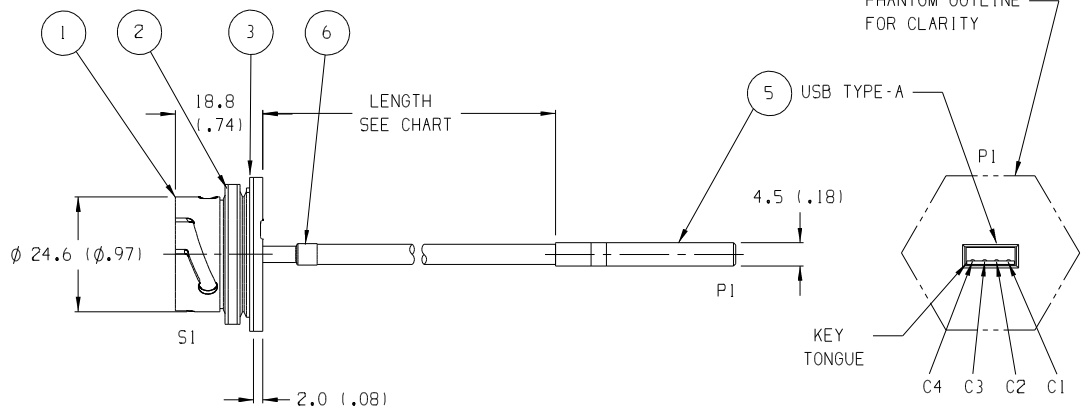
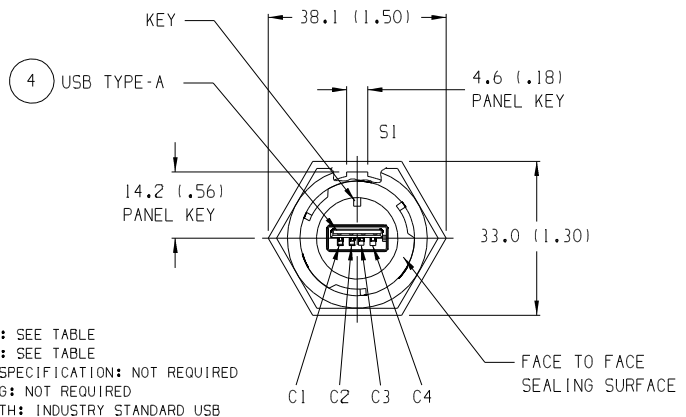


PART NO.	LENGTH
847290003	152mm (0' 6")
847290004	810mm (2' 7.88")
847290005	1310mm (4' 3.57")
847290006	2080mm (6' 9.89")
847290007	3330mm (10' 11.10")
847290008	5000mm (16' 4.85")



S1	P1
1 RED	1
2 WHT	2
3 GRN	3
4 BLK	4
5 DRAIN	5

WIRING DIAGRAM



- NOTES:
1. MATERIAL: SEE TABLE
  2. FINISHES: SEE TABLE
  3. PRODUCT SPECIFICATION: NOT REQUIRED
  4. PACKAGING: NOT REQUIRED
  5. MATES WITH: INDUSTRY STANDARD USB TYPE-A JACK AND W/BAYONET LOCK.
  6. FORMERLY DWG #SK-01-18-05-SD.

ITEM	QTY.	DESCRIPTION	MATERIAL	FINISH
6	A/R	HEAT SHRINK TUBING	-	BLACK
5	1	USB TYPE-A SHIELDED PLUG PIGTAIL	POLYESTER	BLACK
4	1	USB TYPE-A SHIELDED I/O RECEPTACLE	POLYESTER	BLACK
3	1	PANEL GASKET	NEOPRENE	BLACK
2	1	LOCK NUT	POLYESTER	BLACK
1	1	RECEPTACLE HOUSING	POLYESTER	BLACK

01-27-05 EC NO. RELEASED DRWN: S. GILBERT CH'K: APPR: A	DESCRIPTION MAJOR CRITICAL SPC S	QUALITY SYMBOLS	GENERAL TOLERANCES: (UNLESS SPECIFIED)	SCALE: FULL	DESIGN UNITS: <input type="checkbox"/> mm <input checked="" type="checkbox"/> INCH	THIRD ANGLE PROJECTION	PROJECT NO. 04-069	I	-	
		4 PLACES ±.0015	3 PLACES ±.038 ±.005	2 PLACES ±.13 ±.01	1 PLACE ±.3	ANGULAR: ±2°	DRAFT WHERE APPLICABLE MUST REMAIN WITHIN DIMENSIONS	DIMENSIONS: <input checked="" type="checkbox"/> mm <input type="checkbox"/> INCH <input type="checkbox"/> mm ONLY	SHT	REV
		DRAWN BY & DATE: S. GILBERT 01-18-05		CHECKED BY & DATE: -		APPROVED BY & DATE: -		TITLE: USB TYPE-A RECEPTACLE, PANEL MOUNT CORD WITH USB TYPE-A PLUG		
		CAD FILENAME: SD-84729-003		MATERIAL NO. SEE CHART		DRAWING NO. SD-84729-003		SHEET NO. 1 OF 1		
THIS DRAWING CONTAINS INFORMATION THAT IS PROPRIETARY TO MOLEX INCORPORATED AND SHOULD NOT BE USED WITHOUT WRITTEN PERMISSION.							REVISION ON CAD ONLY			