



Designers' Choice

COMPUTER BRACKETS



These printed circuit card brackets have been designed to fit all PC computers and are available with a variety of holes and cutouts to connect any peripheral.

The standard brackets shown reflect the most common configurations and cutouts for specific applications. If our standard brackets do not suit your applications we can fabricate a bracket to your exact requirements. (See page 65)

These premium quality brackets have a "high luster" finish for appearance and durability.

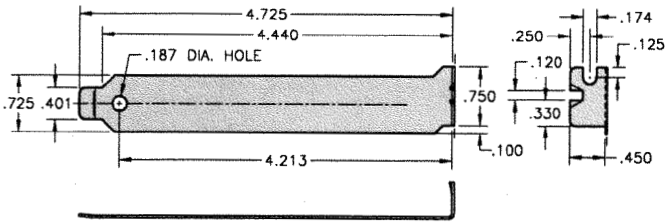
- Premium quality
- Designed to fit all PC computers
- Standard brackets available for most common configurations
- A variety of holes and cutouts to suit all peripherals
- Special configurations available to meet specific needs
- Standard international symbol markings available
- Blanks available for "fillers"
- Fast delivery and cost effective tooling for special designs



MATERIAL: .032 Steel, Nickel Plate

STANDARD BLANKS & BRACKETS

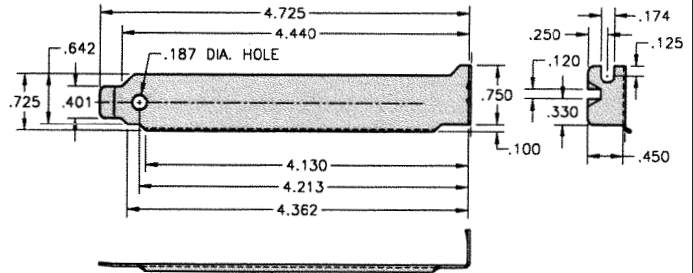
EISA/ISA or PCI



CAT. NO. 9200

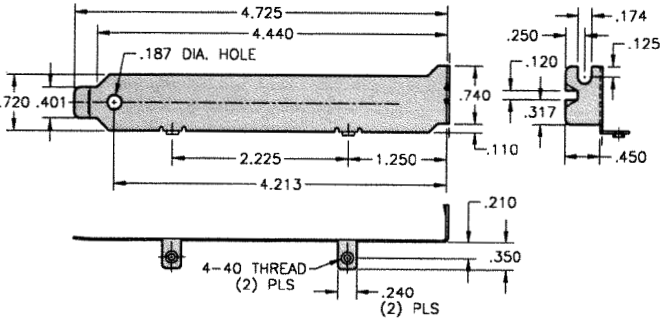
EISA/ISA or PCI

• Reinforced with rib for extra strength



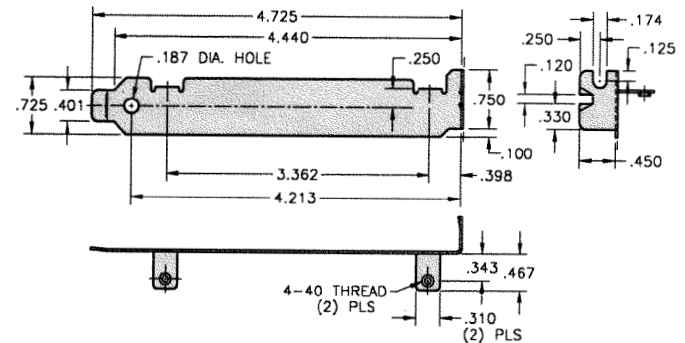
CAT. NO. 9201

EISA/ISA



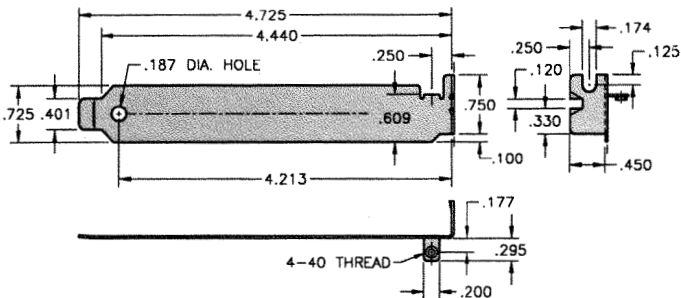
CAT. NO. 9202

PCI



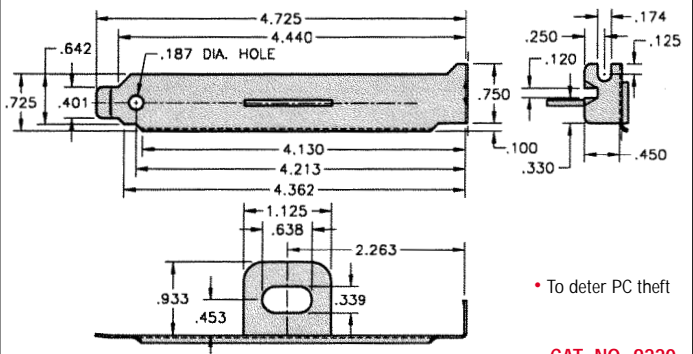
CAT. NO. 9203

PCI



CAT. NO. 9204

SECURITY BRACKET



• To deter PC theft

CAT. NO. 9220