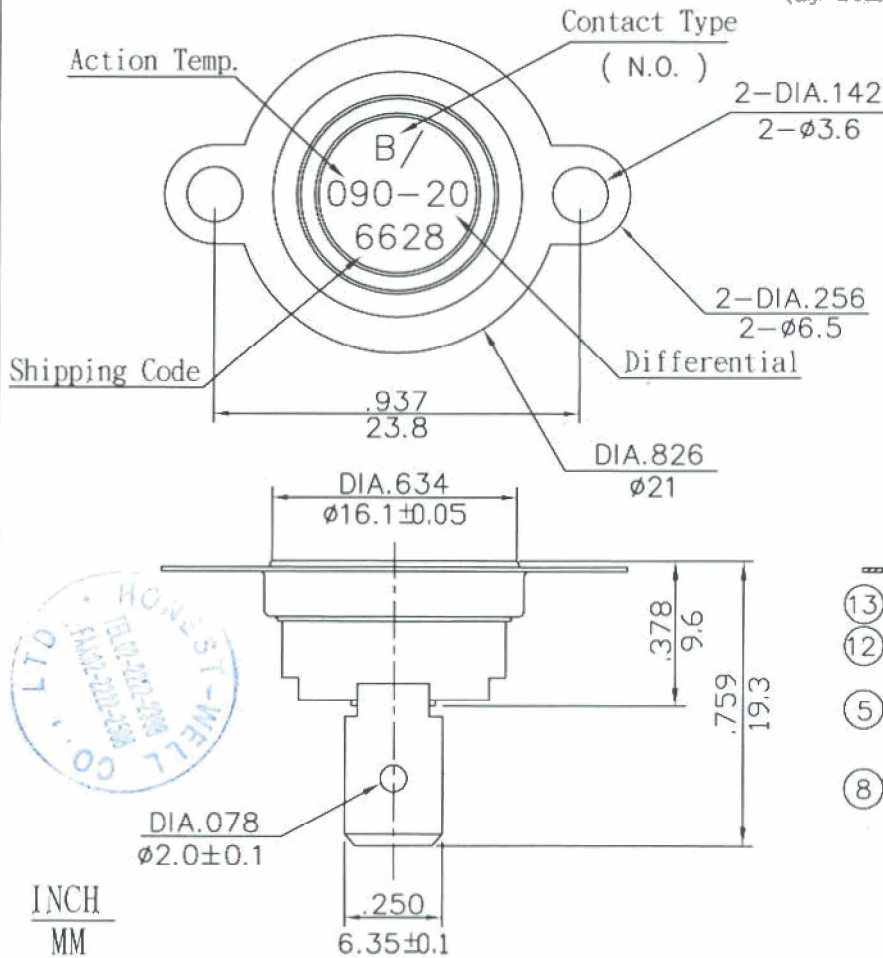


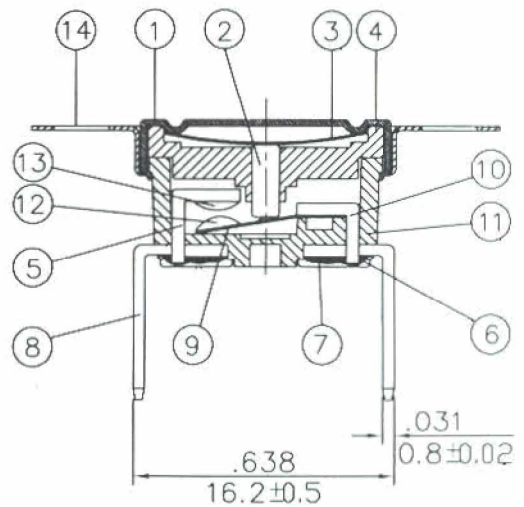
PARTS NAME	MATERIAL	UL FLAME GRADE
1 Sensing cap	Aluminum	
2 Actuating pin	Ceramic	
3 Bimetal disc	Bimetal	
4 Retainer	PPS	
5 Stationary arm	Brass tin plated	
6 Solder	Tin	
7 Glue	Epoxy	
8 Terminal	Brass tin plated	
9 Movable arm	Beryllium copper	
10 Terminal-J	Brass tin plated	
11 Case	PPS	
12 Contact-R	Silver alloy	
13 Contact-F	Silver alloy	
14 Bracket	Steel Nickel plated	

SPECIFICATIONS

- * CONTACT TYPE : Normally Open
- * ACTION TEMP : 90°C ± 3K
- * RESET TEMP : 70°C ± 4K
- * TERMINAL SIZE : Amp #250 TAB
- * CIRCUIT RESISTANCE : 50mΩ MAX.
- * INSULATION RESISTANCE : 100MΩ min. at DC 500V
- * DIELECTRIC STRENGTH : AC 1000V For One Minute
Or AC 1800V For One Sec
- * APPROVALS: VDE UL CUL
- * ELECTRICAL RATING & OPERATING LIFE :
VDE - 15A 240VAC 100,000 Cycles (Resistive Load)
16A 250VAC 10,000 Cycles (Resistive Load)
Licence No.127475
(By Standard Differential:10k-15k)
- UL CUL - 15A 120VAC 100,000 Cycles (Resistive Load)
Licence No. E192925
(By Standard Differential:10k-15k)



6 6 2 8
28th
JUNE MONTH
2006 YEAR
Shipping Code



SCALE 2:1 (mm) The size remains unchanged, but other technical modification will be made without notice.

④				TITLE	3B-SR2
③				FULL CODE	T23B090ASR2-20
②				MATERIAL NO.	1006854
①				CUSTOMER	PREMIER
REV	DESCRIPTION	DFTG.	DATE	DRAWING NO.	782040
DFTG	FALCO	CHKD 陳素霞	SALES 洪菁	MFG. 洪美淳	APRVL 廖大淵