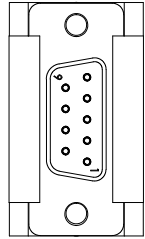
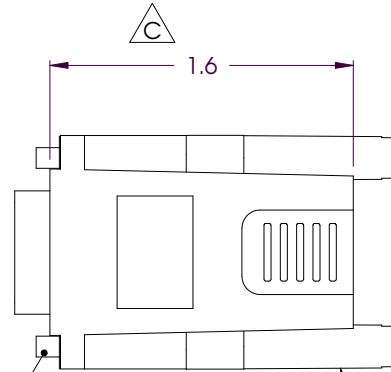


THE INFORMATION CONTAINED IN THIS DRAWING IS THE SOLE PROPERTY OF L-COM, INC. ANY REPRODUCTION IN PART OR WHOLE WITHOUT THE WRITTEN PERMISSION OF L-COM, INC. IS PROHIBITED.

REVISIONS			
REV	DESCRIPTION	DATE	APPROVED
A	RELEASED FOR PRODUCTION	5/30/01	D. PARHAM
B	ECN1509: ADDED PRODUCT VALIDATION	9/19/03	D. PARHAM
C	ECN#2361: LESSENSED TOLERANCE ON DIMS	04/19/06	D. PARHAM

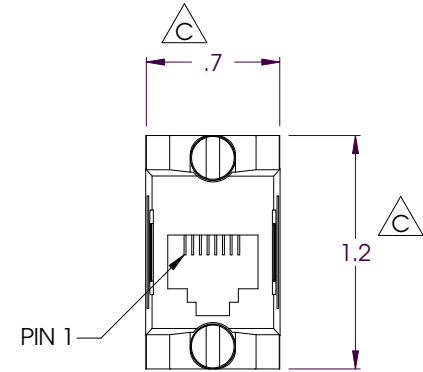


"P1"  
9 CONTACT FEMALE  
D-SUB CONNECTOR



2X 4-40 THREAD

KNURLED PLASTIC



PIN 1

"J1"  
RJ45 JACK  
(8X8)

SPECIFICATIONS  
MOLDED PARTS ARE UL94V-0 RATED

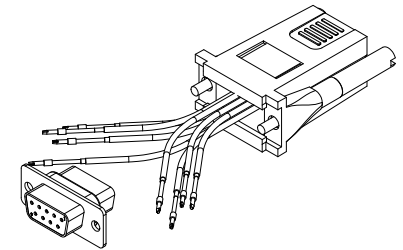
MATERIAL:  
HOUSING: MOLDED ABS  
COLOR: DARK GRAY

D-SUB  
INSULATOR: UL94V-0 THERMOPLASTIC  
CONTACTS: GOLD PLATED  
SHELL: TIN FINISH

RJ45  
CONTACTS: GOLD PLATED, 50 μINCHES

WIRING MAP	
"J1"	LEAD COLOR
1	BLUE
2	ORANGE
3	BLACK
4	RED
5	GREEN
6	YELLOW
7	BROWN
8	WHITE

WIRE COLORS PER  
USOC WIRING SCHEDULE



NOTE:

1. ADAPTOR KIT MAY BE PROGRAMMED AS NEEDED BY INSERTING AND SEATING EACH FEMALE CONTACT IN THE DESIRED POSITION IN THE D-SUB SHELL.

UNLESS OTHERWISE SPECIFIED,  
DIMENSIONS ARE IN INCHES  
TOLERANCES ARE:  
X ±.1  
XX ±.05  
XXX ±.005  
CABLE LENGTH TOLERANCE  
<300" ±5% >300" ±2%

APPROVALS	DATE
DRAWN BY D PARHAM	4/11/2001
CHECKED BY T CLARK	5/17/2001
APPROVED BY R CARRICK	5/24/2001

CONFIGURATION DETAILS OF  
UNDIMENSIONED FEATURES  
MAY VARY

<b>L-com</b> CONNECTIVITY PRODUCTS		45 BEECHWOOD DRIVE NORTH ANDOVER, MA 01845	
PRODUCT DESCRIPTION <b>DB9F TO RJ45 MODULAR ADAPTOR</b>			
DRAWING TITLE <b>OUTLINE DRAWING</b>			
SIZE <b>A</b>	FSCM NO. <b>43321</b>	DWG. NO. <b>REC098F-OD1</b>	REV. <b>C</b>
SCALE: NONE		CAD FILE: REC098F-OD1.SLDDRW	SHEET 1 OF 1