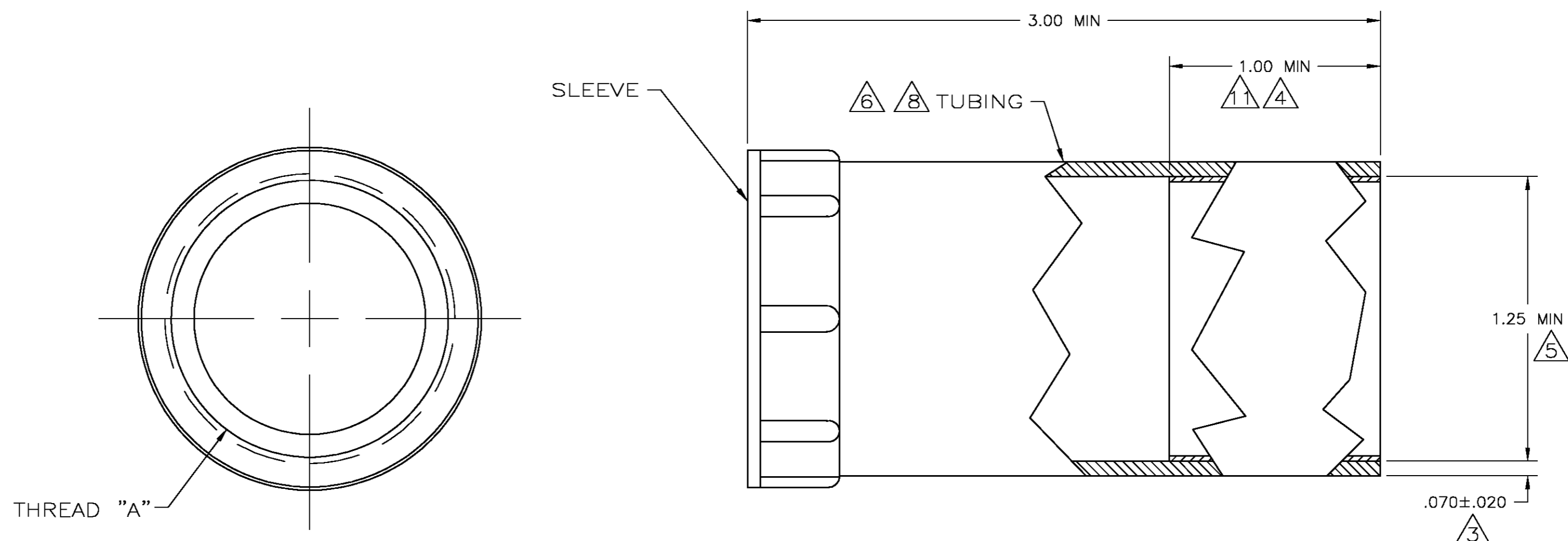


THIS DRAWING IS UNPUBLISHED. RELEASED FOR PUBLICATION
 © COPYRIGHT BY TYCO ELECTRONICS CORPORATION. ALL RIGHTS RESERVED.

LOC	DIST	REVISIONS					
FT	0	P	LTR	DESCRIPTION	DATE	DWN	APVD
		U		REVISED PER 0G3B-0830-03	10/29/03	SS	SH



- NOTES:
- 1 POLYOLEFIN, BLACK.
 - 2 NYLON, BLACK.
 - 3 NOMINAL WALL THICKNESS, EXPANDED.
 - 4 LENGTH OF SEALANT.
 - 5 EXPANDED INSIDE DIAMETER.
 - 6 12.70[.500] MAXIMUM RECOVERED INSIDE DIAMETER.
 - 7. ASSEMBLY WILL PASS 0.0703 KG PER SQ CENTIMETER [ONE POUND PER SQ IN.] WATER PRESSURE TEST.
 - 8 121°C [250°F] SHRINK TEMPERATURE.
 - 9. -55°C TO 110°C [-67°F TO 230°F] OPERATING TEMPERATURE.
 - 10. THIS PART WILL ACCOMODATE $\phi 13.97 - \phi 31.75$ [$\phi .550 - \phi 1.250$] CABLE RANGE.
 - 11 NO SEALANT APPLIED.

11	1 7/16-18 UNEF-2B	54012-6
11	1 3/8-18 UNEF-2B	54012-5
	1 7/16-18 UNEF-2B	54012-4
	1 3/16-18 UNEF-2B	54012-3
	1 3/8-18 UNEF-2B	54012-1
	THREAD "A"	PART NUMBER

THIS DRAWING IS A CONTROLLED DOCUMENT.		DWN C.REIFSNYDER 10 APR 96	Tyco Electronics Corporation Harrisburg, PA 17105	
DIMENSIONS: INCHES		CHK R.STONE 15 APR 95	NAME STRAN RELIEF ASSY, SHELL SIZE 23, CPC	
TOLERANCES UNLESS OTHERWISE SPECIFIED: 0 PLC ± - 1 PLC ± - 2 PLC ± - 3 PLC ± - 4 PLC ± - ANGLES ± - FINISH -		APVD T.A.WETZEL 03 MAY 96	DRAWING NO A2 00779 C=54012	
MATERIAL TUBING: 1 SLEEVE: 2		PRODUCT SPEC APPLICATION SPEC	SIZE A2	RESTRICTED TO -
		WEIGHT -	CAGE CODE 00779	SCALE 2:1
		CUSTOMER DRAWING	SHEET 1 OF 1	REV U