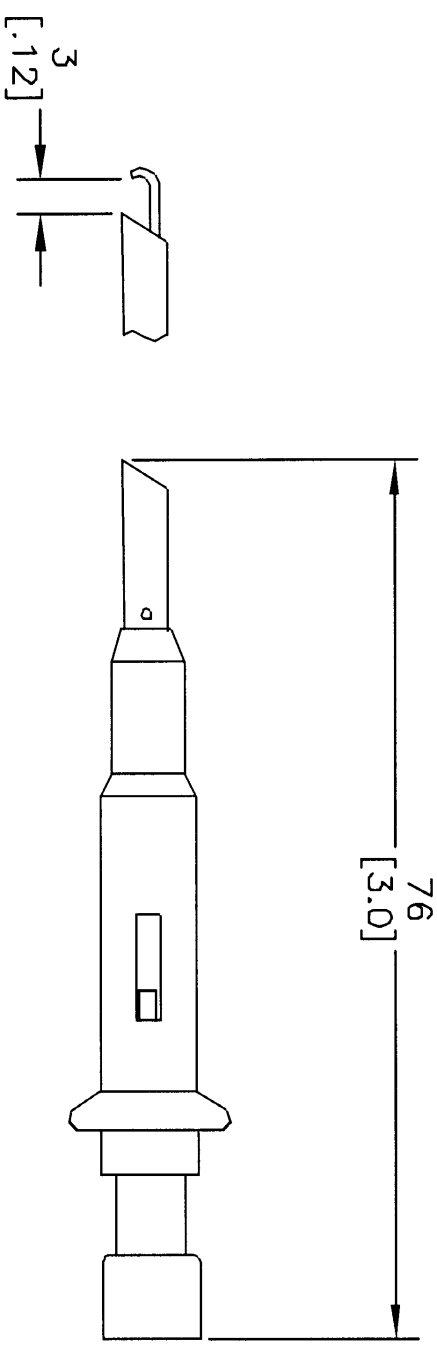


3421703

ALL RIGHTS RESERVED. NO PORTION OF THIS PUBLICATION, WHETHER IN WHOLE OR IN PART CAN BE REPRODUCED WITHOUT THE EXPRESS WRITTEN CONSENT OF SPC TECHNOLOGY.

REVISIONS		DOC. NO.	DATE	CHECKD	DATE	APPRVD	DATE
DCP #	REV	DESCRIPTION	DRAWN	DATE	CHECKD	DATE	APPRVD
615	A	RELEASED	JMM	6/21/00	JC		DJC



- Notes
1. Fits probes with 4mm Contact Tip
 2. IEC61010 Ratings: 500VCAT I, 5A
 3. Materials: Body - Polymide(Nylon)
Tip - Brass, Nickel Plated
 4. Internal Resistance: <5 milliohms
 5. Temperature: -20°C ~ +80°C

DISCLAIMER
ALL DIMENSIONS AND TECHNICAL INFORMATION CONTAINED HEREIN ARE BASED UPON INFORMATION AND/OR TESTS WE BELIEVE TO BE ACCURATE AND RELIABLE. SINCE CONDITIONS OF USE ARE BEYOND OUR CONTROL, THE USER SHALL RETAIN THE RESPONSIBILITY OF THE PRODUCT FOR THE INTENDED USE AND MAINTAIN ALL MARK AND LABELING INFORMATION IN CONNECTION THEREWITH.



DRAWING TITLE: Insulated Probe Spring Hook - Block		SCALE: NTS		U.O.M.: Millimeters [Inches]		SHEET: 1 OF 1	
DRAWN BY:	DATE:	SIZE	DWG. NO.	ELECTRONIC FILE	REV		
Jeff McVickar	6/21/00	A	76-033	16F7704.dwg	A		
CHECKED BY:	DATE:						
JOHN COLE							
APPROVED BY:	DATE:						
Daniel Carey							

SPC-R005.DWG