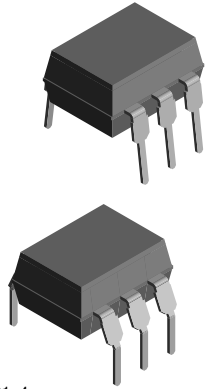
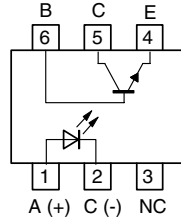


Optocoupler, Phototransistor Output



17201_4



18537_4

DESCRIPTION

The 4N25V, 4N25GV, 4N35V, 4N35GV series consists of a phototransistor optically coupled to a gallium arsenide infrared-emitting diode in a 6-lead plastic dual inline package.

VDE STANDARDS

These couplers perform safety functions according to the following equipment standards:

DIN EN 60747-5-5 (VDE 0884)

Optocoupler for electrical safety requirements

IEC 60950

Office machines (applied for reinforced isolation for mains voltage $\leq 400 V_{RMS}$)

VDE 0804

Telecommunication apparatus and data processing

IEC 60065

Safety for mains-operated electronic and related household apparatus

FEATURES

- Special construction: therefore, extra low coupling capacity of typical 0.2 pF, high common mode rejection
- Low temperature coefficient of CTR
- Rated isolation voltage (RMS includes DC) $V_{IOWM} = 600 V_{RMS}$ (848 V peak)
- Rated recurring peak voltage (repetitive) $V_{IORM} = 600 V_{RMS}$
- Thickness through insulation ≥ 0.4 mm
- Creepage current resistance according to VDE 0303/IEC 60112 comparative tracking index: **CTI** ≥ 275
- Rated impulse voltage (transient overvoltage) $V_{IOTM} = 6$ kV peak
- Isolation test voltage (partial discharge test voltage) $V_{pd} = 1.6$ kV
- Compliant to RoHS directive 2002/95/EC and in accordance to WEEE 2002/96/EC



RoHS
COMPLIANT

APPLICATIONS

- Switch-mode power supplies
- Line receiver
- Computer peripheral interface
- Microprocessor system interface
- Circuits for safe protective separation against electrical shock according to safety class II (reinforced isolation):
 - for appl. class I - IV at mains voltage ≤ 300 V
 - for appl. class I - III at mains voltage ≤ 600 V according to DIN EN 60747-5-5

AGENCY APPROVALS

- UL1577, file no. E52744, double protection
- BSI: BS EN 41003, BS EN 60065 (BS 415), pending
- DIN EN 60747-5-5 (VDE 0884)
- FIMKO (SETI): EN 60950, certificate no. FI25155

ORDER INFORMATION ⁽¹⁾	
PART	REMARKS
4N25GV	CTR > 20 % wide lead spacing, DIP-6
4N35GV	CTR > 100 % wide lead spacing, DIP-6
4N25V	CTR > 20 %, DIP-6
4N35V	CTR > 100 %, DIP-6

Note

⁽¹⁾ G = leadform 10.16 mm; G is not marked on the body.

ABSOLUTE MAXIMUM RATINGS (1)				
PARAMETER	TEST CONDITION	SYMBOL	VALUE	UNIT
INPUT				
Reverse voltage		V_R	5	V
Forward current		I_F	60	mA
Forward surge current	$t_p \leq 10 \mu\text{s}$	I_{FSM}	3	A
Power dissipation		P_{diss}	70	mW
Junction temperature		T_j	125	°C
OUTPUT				
Collector emitter voltage		V_{CEO}	32	V
Emitter collector voltage		V_{ECO}	7	V
Collector current		I_C	50	mA
Collector peak current	$t_p/T = 0.5, t_p \leq 10 \text{ ms}$	I_{CM}	100	mA
Power dissipation		P_{diss}	70	mW
Junction temperature		T_j	125	°C
COUPLER				
Isolation test voltage (RMS)		V_{ISO}	5000	V_{RMS}
Total power dissipation		P_{tot}	200	mW
Ambient temperature range		T_{amb}	- 55 to + 100	°C
Storage temperature range		T_{stg}	- 55 to + 125	°C
Soldering temperature (2)	2 mm from case, $t \leq 10 \text{ s}$	T_{sld}	260	°C

Notes

(1) $T_{amb} = 25 \text{ }^\circ\text{C}$, unless otherwise specified.

Stresses in excess of the absolute maximum ratings can cause permanent damage to the device. Functional operation of the device is not implied at these or any other conditions in excess of those given in the operational sections of this document. Exposure to absolute maximum ratings for extended periods of the time can adversely affect reliability.

(2) Refer to wave profile for soldering conditions for through hole devices.

ELECTRICAL CHARACTERISTICS (1)						
PARAMETER	TEST CONDITION	SYMBOL	MIN.	TYP.	MAX.	UNIT
INPUT						
Forward voltage	$I_F = 50 \text{ mA}$	V_F		1.2	1.4	V
Junction capacitance	$V_R = 0 \text{ V}, f = 1 \text{ MHz}$	C_j		50		pF
OUTPUT						
Collector emitter voltage	$I_C = 1 \text{ mA}$	V_{CEO}	32			V
Emitter collector voltage	$I_E = 100 \mu\text{A}$	V_{ECO}	7			V
Collector emitter leakage current	$V_{CE} = 10 \text{ V}, I_F = 0, T_{amb} = 100 \text{ }^\circ\text{C}$	I_{CEO}			50	nA
	$V_{CE} = 30 \text{ V}, I_F = 0, T_{amb} = 100 \text{ }^\circ\text{C}$	I_{CEO}			500	nA
COUPLER						
Collector emitter saturation voltage	$I_F = 50 \text{ mA}, I_C = 2 \text{ mA}$	V_{CEsat}			0.3	V
Cut-off frequency	$V_{CE} = 5 \text{ V}, I_F = 10 \text{ mA}, R_L = 100 \Omega$	f_c		110		kHz
Coupling capacitance	$f = 1 \text{ MHz}$	C_k		1		pF

Note

(1) $T_{amb} = 25 \text{ }^\circ\text{C}$, unless otherwise specified.

Minimum and maximum values are testing requirements. Typical values are characteristics of the device and are the result of engineering evaluation. Typical values are for information only and are not part of the testing requirements.

CURRENT TRANSFER RATIO							
PARAMETER	TEST CONDITION	PART	SYMBOL	MIN.	TYP.	MAX.	UNIT
I_C/I_F	$V_{CE} = 10\text{ V}, I_F = 10\text{ mA}$	4N25V	CTR	20	100		%
		4N25GV	CTR				
		4N35V	CTR	100	150		%
		4N35GV	CTR				
	$V_{CE} = 10\text{ V}, I_F = 10\text{ mA}, T_{amb} = 100\text{ }^\circ\text{C}$	4N35V	CTR	40			%
		4N35GV	CTR				

MAXIMUM SAFETY RATINGS (1)						
PARAMETER	TEST CONDITION	SYMBOL	MIN.	TYP.	MAX.	UNIT
INPUT						
Forward current		I_F			130	mA
OUTPUT						
Power dissipation		P_{diss}			265	mW
COUPLER						
Rated impulse voltage		V_{IOTM}			6	kV
Safety temperature		T_{si}			150	$^\circ\text{C}$

Note

(1) According to DIN EN 60747-5-5 (see figure 2). This optocoupler is suitable for safe electrical isolation only within the safety ratings. Compliance with the safety ratings shall be ensured by means of suitable protective circuits.

INSULATION RATED PARAMETERS						
PARAMETER	TEST CONDITION	SYMBOL	MIN.	TYP.	MAX.	UNIT
Partial discharge test voltage - routine test	100 %, $t_{test} = 1\text{ s}$	V_{pd}	1600			V
Partial discharge test voltage - lot test (sample test)	$t_{Tr} = 60\text{ s}, t_{test} = 10\text{ s},$ (see figure 2)	V_{IOTM}	6000			V
		V_{pd}	1400			V
Insulation resistance	$V_{IO} = 500\text{ V}$	R_{IO}	10^{12}			Ω
	$V_{IO} = 500\text{ V}, T_{amb} = 100\text{ }^\circ\text{C}$	R_{IO}	10^{11}			Ω
	$V_{IO} = 500\text{ V}, T_{amb} = 150\text{ }^\circ\text{C}$ (construction test only)	R_{IO}	10^9			Ω

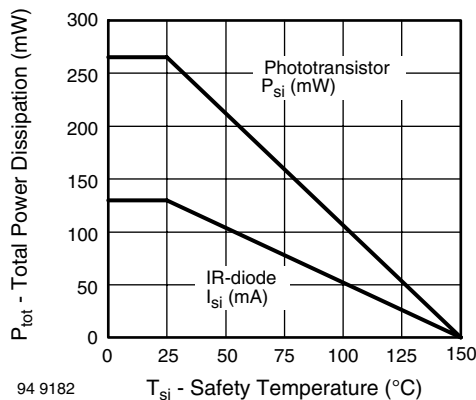


Fig. 1 - Derating Diagram

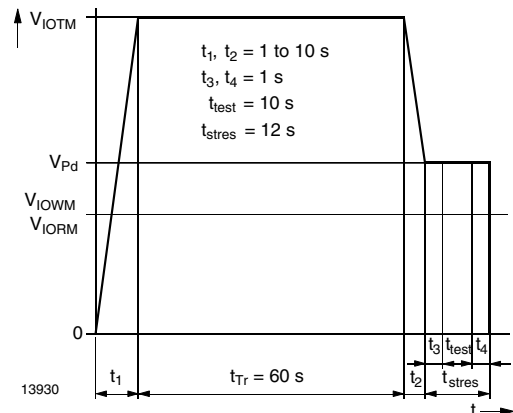
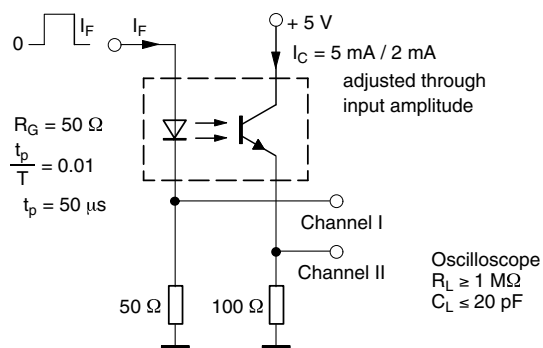


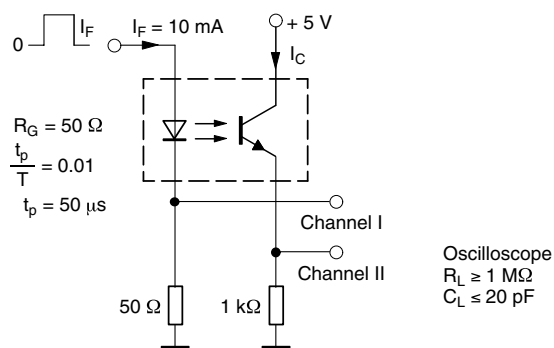
Fig. 2 - Test Pulse Diagram for Sample Test according to DIN EN 60747-; IEC 60747

SWITCHING CHARACTERISTICS							
PARAMETER	TEST CONDITION	PART	SYMBOL	MIN.	TYP.	MAX.	UNIT
Delay time (see figure 3)	$V_S = 5\text{ V}, I_C = 5\text{ mA}, R_L = 100\ \Omega$	4N25V 4N25GV	t_d		4		μs
	$V_S = 5\text{ V}, I_C = 2\text{ mA}, R_L = 100\ \Omega$	4N35V 4N35GV	t_d		2.5		μs
Rise time (see figure 3)	$V_S = 5\text{ V}, I_C = 5\text{ mA}, R_L = 100\ \Omega$	4N25V 4N25GV	t_r		7		μs
	$V_S = 5\text{ V}, I_C = 2\text{ mA}, R_L = 100\ \Omega$	4N35V 4N35GV	t_r		3		μs
Fall time (see figure 3)	$V_S = 5\text{ V}, I_C = 5\text{ mA}, R_L = 100\ \Omega$	4N25V 4N25GV	t_f		6.7		μs
	$V_S = 5\text{ V}, I_C = 2\text{ mA}, R_L = 100\ \Omega$	4N35V 4N35GV	t_f		4.2		μs
Storage time (see figure 3)	$V_S = 5\text{ V}, I_C = 5\text{ mA}, R_L = 100\ \Omega$	4N25V 4N25GV	t_s		0.3		μs
	$V_S = 5\text{ V}, I_C = 2\text{ mA}, R_L = 100\ \Omega$	4N35V 4N35GV	t_s		0.3		μs
Turn-on time (see figure 3)	$V_S = 5\text{ V}, I_C = 5\text{ mA}, R_L = 100\ \Omega$	4N25V 4N25GV	t_{on}		11		μs
	$V_S = 5\text{ V}, I_C = 2\text{ mA}, R_L = 100\ \Omega$	4N35V 4N35GV	t_{on}			10	μs
Turn-off time (see figure 3)	$V_S = 5\text{ V}, I_C = 5\text{ mA}, R_L = 100\ \Omega$	4N25V 4N25GV	t_{off}		7		μs
	$V_S = 5\text{ V}, I_C = 2\text{ mA}, R_L = 100\ \Omega$	4N35V 4N35GV	t_{off}			10	μs
Turn-on time (see figure 4)	$V_S = 5\text{ V}, I_F = 10\text{ mA}, R_L = 1\text{ k}\Omega$	4N25V 4N25GV	t_{on}		25		μs
		4N35V 4N35GV	t_{on}		9		μs
Turn-off time (see figure 4)	$V_S = 5\text{ V}, I_F = 10\text{ mA}, R_L = 1\text{ k}\Omega$	4N25V 4N25GV	t_{off}		42.5		μs
		4N35V 4N35GV	t_{off}		25		μs



14950

Fig. 3 - Test circuit, Non-Saturated Operation



95 10844

Fig. 4 - Test Circuit, Saturated Operation

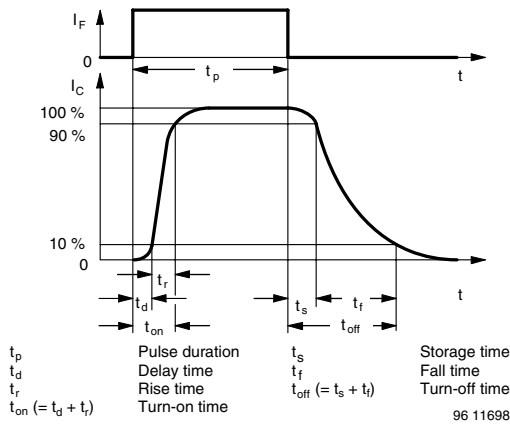


Fig. 5 - Switching Times

TYPICAL CHARACTERISTICS

$T_{amb} = 25\text{ }^\circ\text{C}$, unless otherwise specified

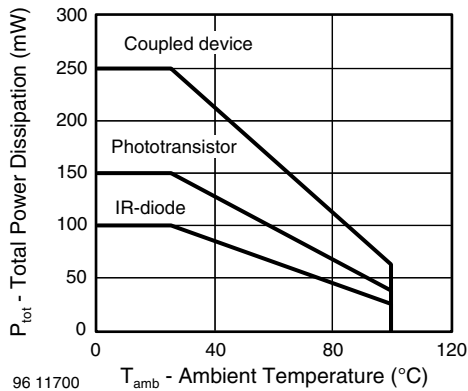


Fig. 6 - Total Power Dissipation vs. Ambient Temperature

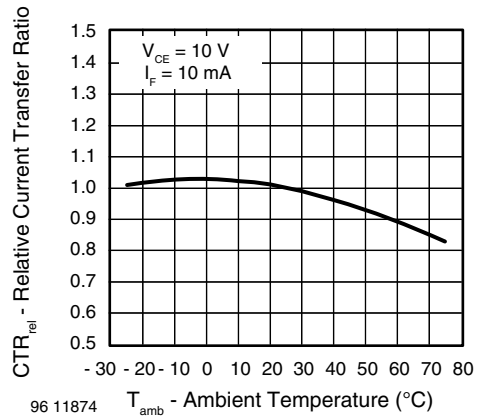


Fig. 8 - Relative Current Transfer Ratio vs. Ambient Temperature

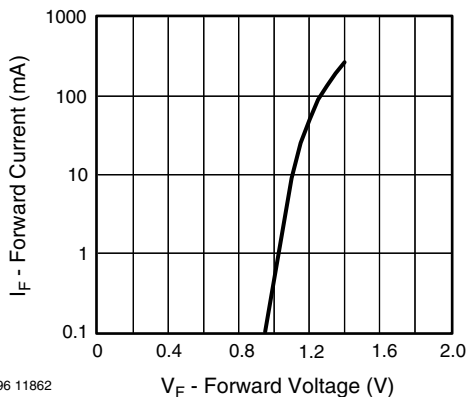


Fig. 7 - Forward Current vs. Forward Voltage

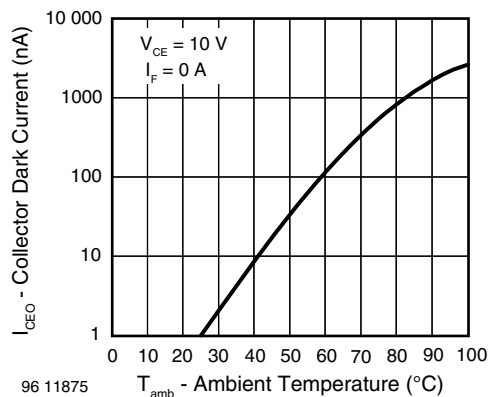


Fig. 9 - Collector Dark Current vs. Ambient Temperature

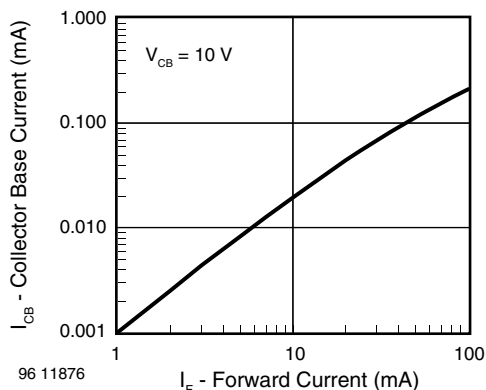


Fig. 10 - Collector Base Current vs. Forward Current

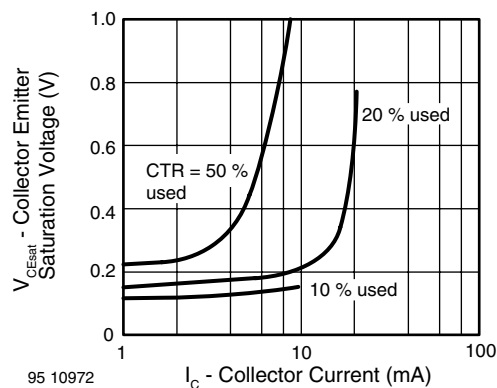


Fig. 13 - Collector Emitter Saturation Voltage vs. Collector Current

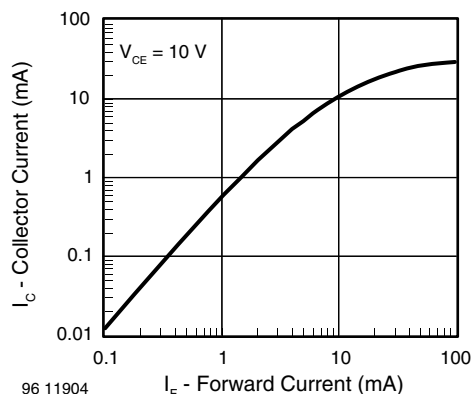


Fig. 11 - Collector Current vs. Forward Current

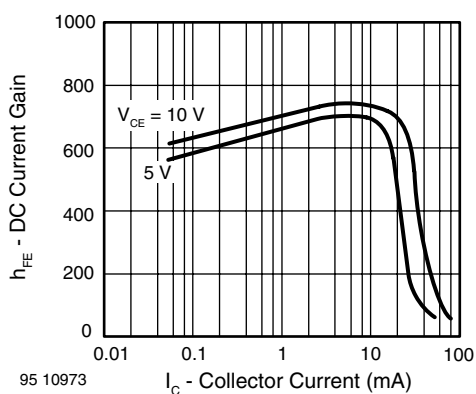


Fig. 14 - DC Current Gain vs. Collector Current

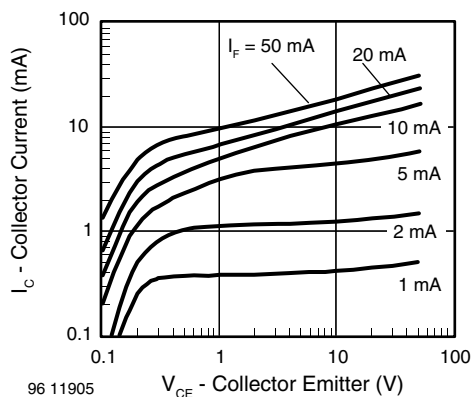


Fig. 12 - Collector Current vs. Collector Emitter Voltage

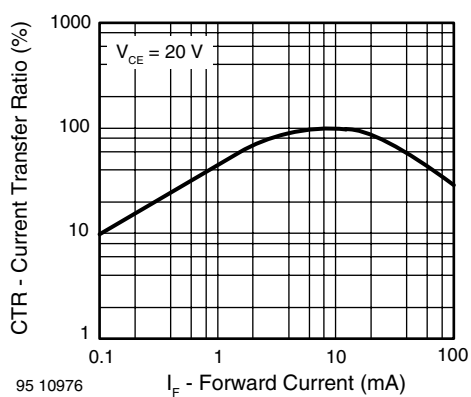


Fig. 15 - Current Transfer Ratio vs. Forward Current

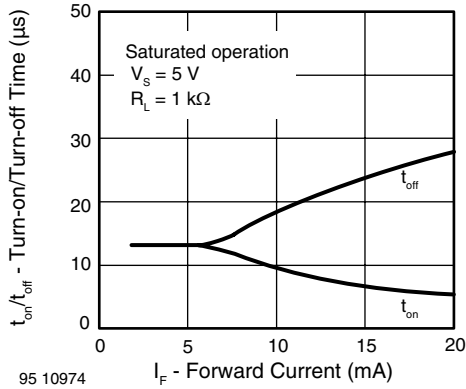


Fig. 16 - Turn-on/off Time vs. Forward Current

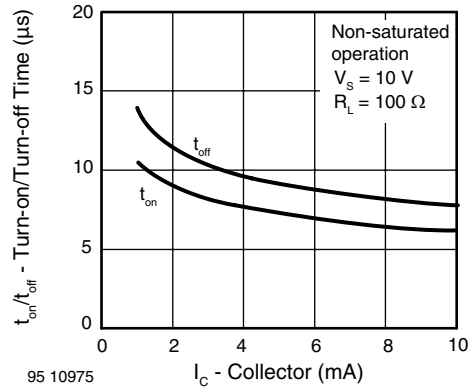
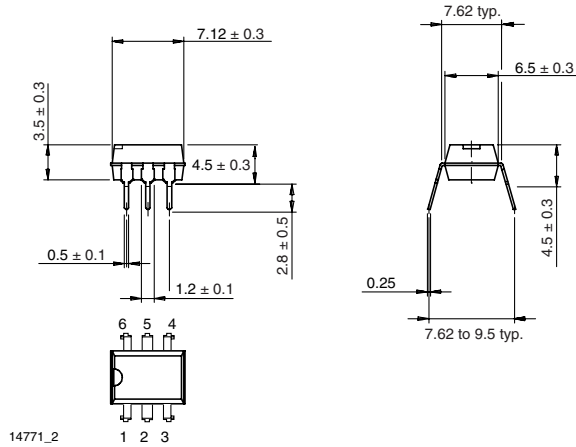
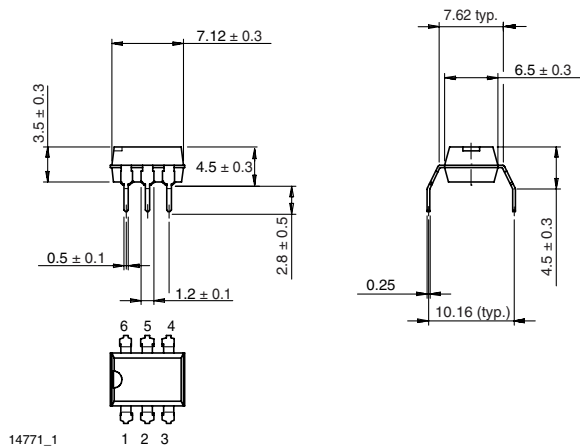


Fig. 17 - Turn-on/off Time vs. Collector Current

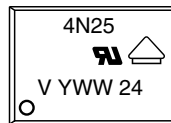
PACKAGE DIMENSIONS in millimeters DIP-6



DIP-6, 400 mil



PACKAGE MARKING



21764-32



Disclaimer

ALL PRODUCT, PRODUCT SPECIFICATIONS AND DATA ARE SUBJECT TO CHANGE WITHOUT NOTICE TO IMPROVE RELIABILITY, FUNCTION OR DESIGN OR OTHERWISE.

Vishay Intertechnology, Inc., its affiliates, agents, and employees, and all persons acting on its or their behalf (collectively, "Vishay"), disclaim any and all liability for any errors, inaccuracies or incompleteness contained in any datasheet or in any other disclosure relating to any product.

Vishay makes no warranty, representation or guarantee regarding the suitability of the products for any particular purpose or the continuing production of any product. To the maximum extent permitted by applicable law, Vishay disclaims (i) any and all liability arising out of the application or use of any product, (ii) any and all liability, including without limitation special, consequential or incidental damages, and (iii) any and all implied warranties, including warranties of fitness for particular purpose, non-infringement and merchantability.

Statements regarding the suitability of products for certain types of applications are based on Vishay's knowledge of typical requirements that are often placed on Vishay products in generic applications. Such statements are not binding statements about the suitability of products for a particular application. It is the customer's responsibility to validate that a particular product with the properties described in the product specification is suitable for use in a particular application. Parameters provided in datasheets and/or specifications may vary in different applications and performance may vary over time. All operating parameters, including typical parameters, must be validated for each customer application by the customer's technical experts. Product specifications do not expand or otherwise modify Vishay's terms and conditions of purchase, including but not limited to the warranty expressed therein.

Except as expressly indicated in writing, Vishay products are not designed for use in medical, life-saving, or life-sustaining applications or for any other application in which the failure of the Vishay product could result in personal injury or death. Customers using or selling Vishay products not expressly indicated for use in such applications do so at their own risk and agree to fully indemnify and hold Vishay and its distributors harmless from and against any and all claims, liabilities, expenses and damages arising or resulting in connection with such use or sale, including attorneys fees, even if such claim alleges that Vishay or its distributor was negligent regarding the design or manufacture of the part. Please contact authorized Vishay personnel to obtain written terms and conditions regarding products designed for such applications.

No license, express or implied, by estoppel or otherwise, to any intellectual property rights is granted by this document or by any conduct of Vishay. Product names and markings noted herein may be trademarks of their respective owners.

Material Category Policy

Vishay Intertechnology, Inc. hereby certifies that all its products that are identified as RoHS-Compliant fulfill the definitions and restrictions defined under Directive 2011/65/EU of The European Parliament and of the Council of June 8, 2011 on the restriction of the use of certain hazardous substances in electrical and electronic equipment (EEE) - recast, unless otherwise specified as non-compliant.

Please note that some Vishay documentation may still make reference to RoHS Directive 2002/95/EC. We confirm that all the products identified as being compliant to Directive 2002/95/EC conform to Directive 2011/65/EU.