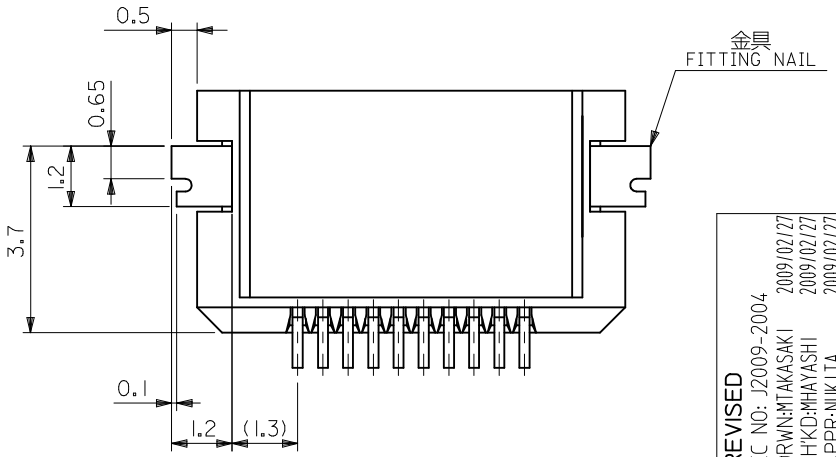
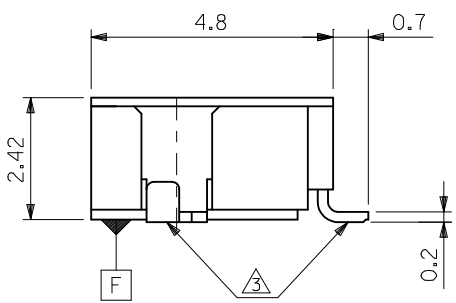
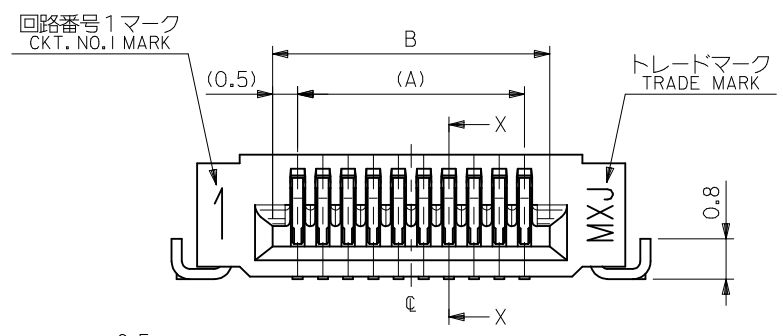


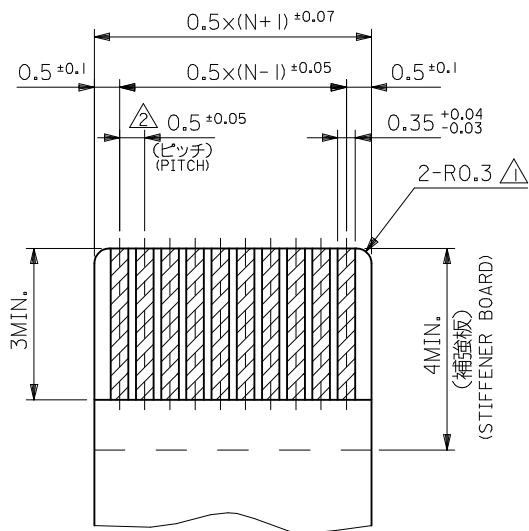
注記 NOTES

- 材質 MATERIAL
 ハウジング: PPHS, UL94V-0
 HOUSING: PPHS, UL94V-0
 ターミナル: リン青銅 (t=0.2)、ニッケル下地 鍍ビスマスメッキ
 TERMINAL: PHOS-BRO.(t=0.2), TIN-BISMUTH OVER NICKEL PLATING
 金具: リン青銅 (t=0.2)、ニッケル下地 鍍メッキ
 FITTING NAIL: PHOS-BRO.(t=0.2), TIN OVER NICKEL PLATING
 △ 偶数極に適用。
 APPLY FOR EVEN CIRCUIT.
 △ ソルダータール半田付け面及び金具半田付け面のズレ量は、基準面 [F] に対し、上方向 0.1 MAX. 下方向 0.15MAX. とする。
 MISALIGNMENT OF SOLDER TAILS AND FITTING NAILS FROM [F] : UPPER DIRECTION 0.1 MAX. ; LOWER DIRECTION 0.15MAX.
- 本製品は 52975-**40 の鉛フリー品である。
 THIS PRODUCT IS LEAD FREE OF 52975-**40
- 本製品は 52975-**49 の封孔処理品である。
 THIS PRODUCT IS SEALING DISPOSITION OF 52975-**49.

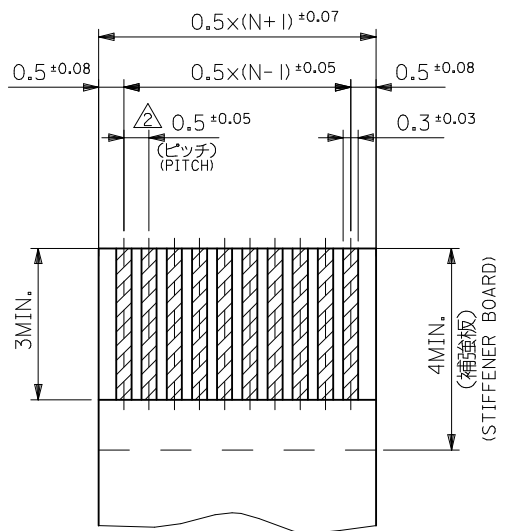


16.5	13.5	12.5	52975-2646	26
15.5	12.5	11.5	-2446	24
14.0	11.0	10.0	-2146	21
13.0	10.0	9.0	-1946	19
12.5	9.5	8.5	-1846	18
12.0	9.0	8.0	-1746	17
11.5	8.5	7.5	-1646	16
11.0	8.0	7.0	-1546	15
10.0	7.0	6.0	-1346	13
9.5	6.5	5.5	-1246	12
9.0	6.0	5.0	-1146	11
8.5	5.5	4.5	-1046	10
8.0	5.0	4.0	-0946	9
7.5	4.5	3.5	-0846	8
7.0	4.0	3.0	-0746	7
6.5	3.5	2.5	52975-0646	6

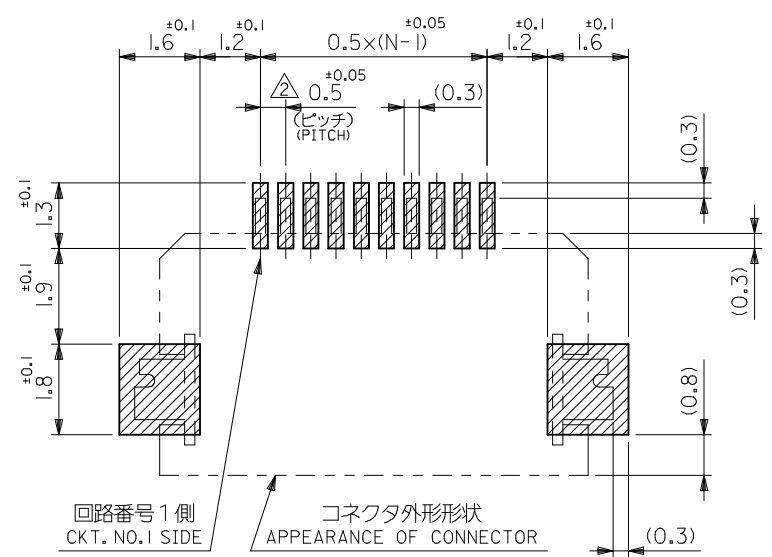
REVISED EC NO: J2009-2004 DRWN:MTAKASAKI 2009/02/27 CHKD:MHAYASHI 2009/02/27 APPR:NUKITA 2009/02/27	DESCRIPTION GENERAL TOLERANCES (UNLESS SPECIFIED) 10 UNDER ±0.2 10 OVER 30 UNDER ±0.25 30 OVER ±0.3 ANGULAR ±3 ° DRAFT WHERE APPLICABLE MUST REMAIN WITHIN DIMENSIONS	DIMENSION STYLE MM ONLY	SCALE ---	DESIGN UNITS METRIC	THIRD ANGLE PROJECTION		
		DRAWN BY M. NABEI	DATE '05/10/24	TITLE 0.5 FFC/FPC CONN. NON-ZIF HSG ASSY (UPR CONT) -LEAD FREE-			
		CHECKED BY K. TOYODA	DATE '05/10/24	MOLEX INCORPORATED			
		APPROVED BY N. UKITA	DATE '05/10/24	MATERIAL NO. SEE CHART	DOCUMENT NO. SD-52975-019	SHEET NO. 1 OF 2	



適合FPC推奨寸法
 APPLICABLE FPC
 RECOMMENDED DIMENSION
 (仕上がり厚さ: 0.3±0.03)
 (THICKNESS: 0.3±0.03)



適合FFC推奨寸法
 APPLICABLE FFC
 RECOMMENDED DIMENSION
 (仕上がり厚さ: 0.3±0.03)
 (THICKNESS: 0.3±0.03)



参考基板レイアウト
 REFERENCE P.C. BOARD
 PATTERN DIMENSION
 (マウント面)
 (MOUNTING SIDE)

注記 NOTES

△ R0.3 は、FPCの導体部にかからないこと。
 R0.3 MUST NOT BE OVERLAPPED TO PATTERN OF FPC.

△ 公差非累積のこと。
 NON-ACCUMULATIVE.

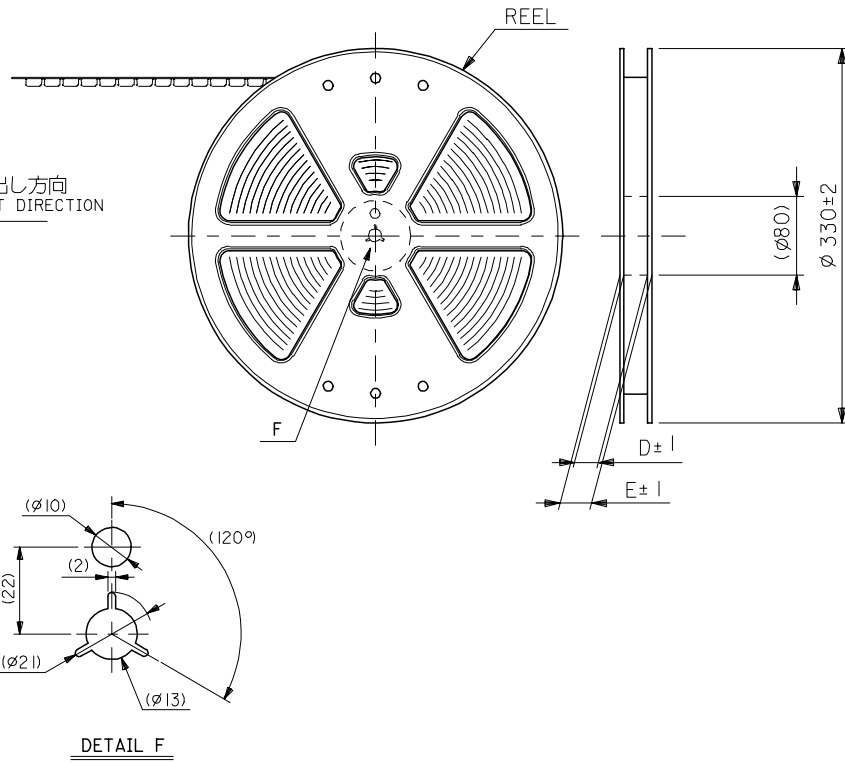
3 FPCについて:
 打抜き方向は導体側から補強板を推奨致します。
 補強フィルム材質はポリイミドを推奨致します。
 接着剤は熱硬化接着剤を推奨致します。

ABOUT FPC:
 RECOMMENDED PUNCHER DIRECTION: FROM CONDUCTOR SIDE TO STIFFENER BOARD SIDE.
 RECOMMENDED MATERIAL:
 STIFFENER FILM: POLYIMIDE
 BONDING AGENT: THERMOSETTING BONDING AGENT

52975-***46 MODEL NO.

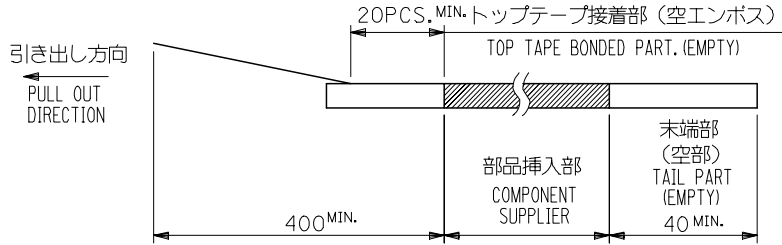
REVISED EC NO: J2009-2004 DRWN: TAKASAKI 2009/02/27 CHKD: HAYASHI 2009/02/27 APPR: NUKITA 2009/02/27	DESCRIPTION	GENERAL TOLERANCES (UNLESS SPECIFIED)		DIMENSION STYLE MM ONLY		SCALE ---	DESIGN UNITS METRIC	THIRD ANGLE PROJECTION		
		10 UNDER	±0.2	DRAWN BY M. NABEI	DATE '05/10/24	TITLE 0.5 FFC/FPC CONN. NON-ZIF HSG ASSY (UPR CONT) -LEAD FREE-				
		10 OVER 30 UNDER	±0.25	CHECKED BY K. TOYODA	DATE '05/10/24	APPROVED BY N. UKITA '05/10/24				
		30 OVER	±0.3	MATERIAL NO. SEE CHART		DOCUMENT NO. SD-52975-019				
A	REV	ANGULAR ±3 °		SIZE A3		SHEET NO. 2 OF 2				
		DRAFT WHERE APPLICABLE MUST REMAIN WITHIN DIMENSIONS		THIS DRAWING CONTAINS INFORMATION THAT IS PROPRIETARY TO MOLEX INCORPORATED AND SHOULD NOT BE USED WITHOUT WRITTEN PERMISSION						

引き出し方向
PULL OUT DIRECTION

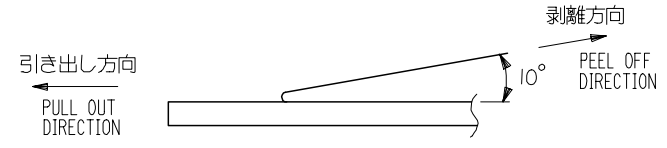


NOTES

- 梱包数量：1000個/リール
NUMBER OF CONNECTORS : 1000PCS/REEL
- リードテープ長さ LEAD TAPE LENGTH



- トップテープの剥離強度：0.1N ~ 1.3N(10gf ~ 130gf)
(剥離方向は下図参照)
尚、本規格値は出荷時に適用。(但し、輸送時に剥離が発生しないこと。)
PEELING OFF FORCE OF TOP TAPE : 0.1N ~ 1.3N(10gf ~ 130gf)
(PEELING DIRECTION AS SHOWN IN FOLLOWING FIG.)
THIS REQUIREMENT SHOULD BE APPLIED AT SHIPMENT.
PEEL OFF SHOULD NOT BE ALLOWED , DURING TRANSPORTATION.



- 材料(MATERIAL)
キャリアテープ(CARRIER TAPE)：ポリプロピレン(POLYPROPYLENE)
トップテープ(TOPTAPE)：PET, PE, PEF
リール(REEL)：ポリスチレン (PS) <リサイクル材を含む>
POLYSTYRENE (PS) <RECYCLE MATERIAL CONTAINED>

- 本製品は 52975-**-92 の鉛フリー品である。
THIS PRODUCT IS LEAD FREE OF 52975-**-92
- 本製品は 52975-**-83 の封孔処理品である。
THIS PRODUCT IS SEALING DISPOSITION OF 52975-**-83.

52975-**-73 MODEL NO.

RELEASED EC NO: J2006-1341 DRWN:MABE1 2005/11/25 CHKDK:TOYODA 2005/11/28 APPR:NUKITA 2005/11/30	GENERAL TOLERANCES (UNLESS SPECIFIED)		DIMENSION STYLE MM ONLY		SCALE ---	DESIGN UNITS METRIC	THIRD ANGLE PROJECTION	
	10 UNDER	±0.2	DRAWN BY M.NABE1	DATE '05/10/24	TITLE 0.5 FFC/FPC CONN NON-ZIF HSG ASSY EMBSTP PKG -LEAD FREE-			
	10 OVER 30 UNDER	±0.25	CHECKED BY K.TOYODA	DATE '05/10/24				
	30 OVER	±0.3	APPROVED BY N.UKITA	DATE '05/10/24	MOLEX INCORPORATED			
	ANGULAR	±3 °	MATERIAL NO.	DOCUMENT NO. SD-52975-020				
0	REV	DRAFT WHERE APPLICABLE MUST REMAIN WITHIN DIMENSIONS		SIZE A3	THIS DRAWING CONTAINS INFORMATION THAT IS PROPRIETARY TO MOLEX INCORPORATED AND SHOULD NOT BE USED WITHOUT WRITTEN PERMISSION			

10 9 8 7 6 5 4 3 2 1

F

E

D

C

B

A

F

E

D

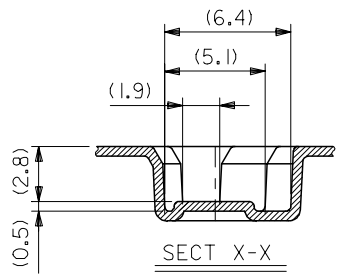
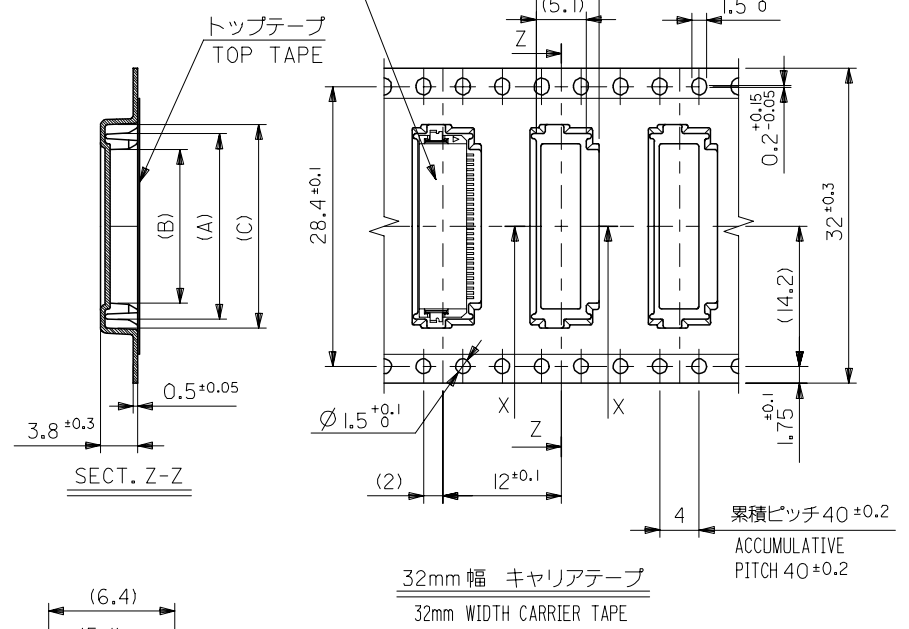
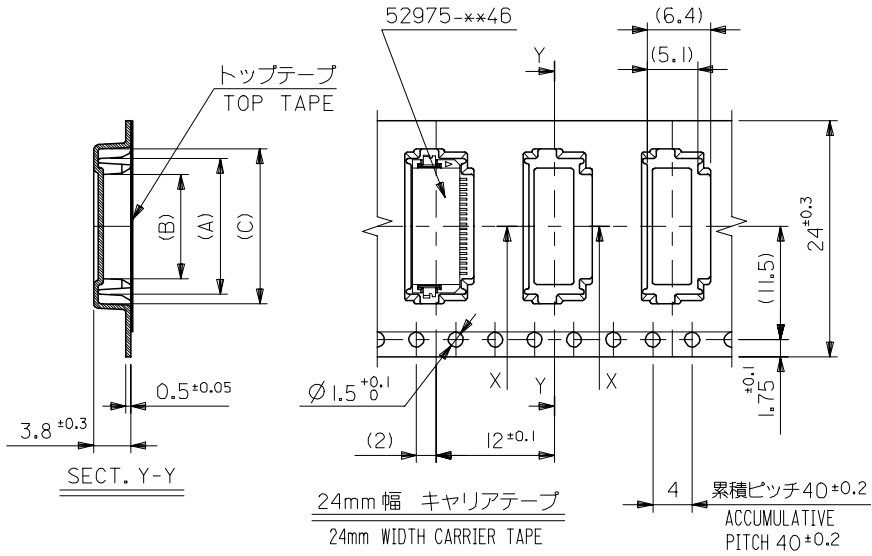
C

B

A

引き出し方向
PULL OUT DIRECTION

引き出し方向
PULL OUT DIRECTION



32	37.4	33.4	13.6	18.7	16.8	52975-2673	26
			12.6	17.7	15.8	52975-2473	24
24	29.4	25.4	11.1	16.2	14.3	52975-2173	21
			10.1	15.2	13.3	52975-1973	19
			9.6	14.7	12.8	52975-1873	18
			9.1	14.2	12.3	52975-1773	17
			8.6	13.7	11.8	52975-1673	16
			8.1	13.2	11.3	52975-1573	15
			7.1	12.2	10.3	52975-1373	13
			6.6	11.7	9.8	52975-1273	12
			6.1	11.2	9.3	52975-1173	11
			5.6	10.7	8.8	52975-1073	10
5.1	10.2	8.3	52975-0973	9			
4.6	9.7	7.8	52975-0873	8			
4.1	9.2	7.3	52975-0773	7			
3.6	8.7	6.8	52975-0673	6			
キャリアテープ幅 CARRIER TAPE WIDTH			(C)	(B)	(A)	MATERIAL. NO.	極数 CKT.

RELEASED EC NO: J2006-1341 DRW: NABE1 2005/11/25 CHK: KTOYODA 2005/11/28 APPR: NUKITA 2005/11/30	GENERAL TOLERANCES (UNLESS SPECIFIED)		DIMENSION STYLE MM ONLY		SCALE ---	DESIGN UNITS METRIC	THIRD ANGLE PROJECTION
	10 UNDER	±0.2	DRAWN BY M. NABE1	DATE '05/10/24	TITLE 0.5 FFC/FPC CONN NON-ZIF HSG ASSY EMBSTP PKG -LEAD FREE-		
	10 OVER 30 UNDER	±0.25	CHECKED BY K. TOYODA	DATE '05/10/24	MOLEX INCORPORATED		
	30 OVER	±0.3	APPROVED BY N. UKITA	DATE '05/10/24	DOCUMENT NO. SD-52975-020		
	ANGULAR	±3 °	MATERIAL NO. SEE CHART		SHEET NO. 2 OF 2		
DRAFT WHERE APPLICABLE MUST REMAIN WITHIN DIMENSIONS		THIS DRAWING CONTAINS INFORMATION THAT IS PROPRIETARY TO MOLEX INCORPORATED AND SHOULD NOT BE USED WITHOUT WRITTEN PERMISSION					