

Tous droits strictement réservés. Reproduction ou communication à des tiers sans  
 sous quelque forme que ce soit sans autorisation écrite du propriétaire.  
 Property of © BERG ELECTRONICS. Droite de reproduction BERG ELECTRONICS by



All rights strictly reserved. Reproduction or issue to third parties in any form  
 whatever is not permitted without written authority from the proprietor.  
 Property of © BERG ELECTRONICS. Copyright BERG ELECTRONICS by

PRODUCT NUMBER	NUMBER OF POS.	1			2			3			HOUSING COLOR	PRODUCT FIGURE	5		6
		DIM A	DIM B	DIM C	DIM D	DIM E	DIM F	DIM G	LOADED POSITION	PLATING CODE X			PLATING		
87180-X44	4	3.05	3.81	7.62	11.20	3.05	5.50	7.87	ALL POS.	BLACK	FIGURE 1				
87180-X42									2,3						
87180-X66									ALL POS.						
87180-X64									2,3,4,5						
87180-X64A									1,2,5,6						
87180-X62									3,4						
87180-X88	6	5.08	6.35	10.16	13.20	4.06	6.60	9.90	ALL POS.	BLACK	FIGURE 2				
87180-X88E									ALL POS.						
87180-X86									2,3,4,5,6,7						
87180-X84									3,4,5,6						
87180-X84A									1,4,5,8						
87180-X84B									1,2,3,6						
87180-X84C	1,2,7,8														

PLATING CODE X	PLATING
0	30 μ" G.X.T.
1	15 μ" AU
2	20 μ" GFDP
3	30 μ" AU
4	15 μ" G.X.T.
5	50 μ" AU
6	6 μ" AU
7	2 μ" AU

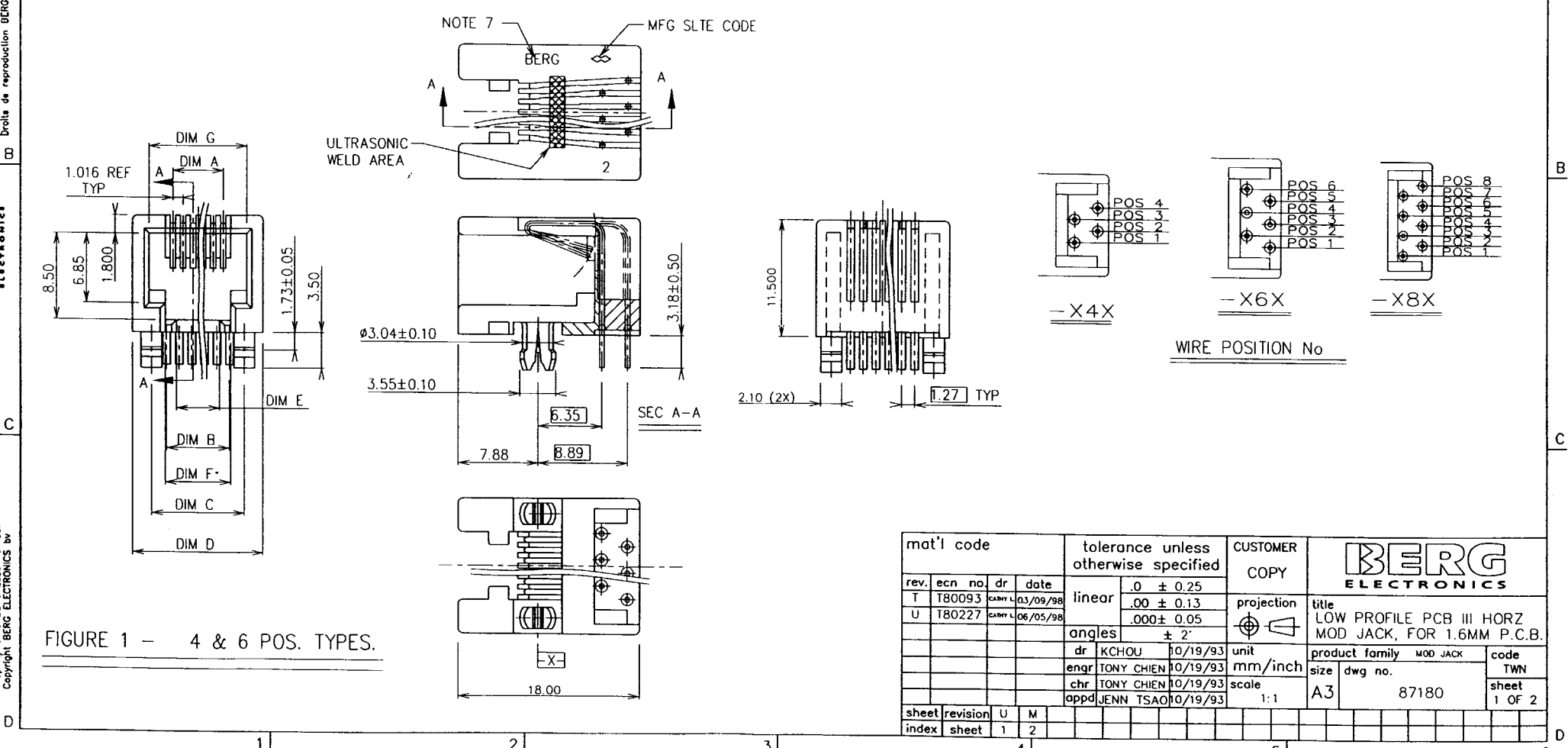


FIGURE 1 - 4 & 6 POS. TYPES.

mat'l code		tolerance unless otherwise specified		CUSTOMER COPY		BERG ELECTRONICS	
rev.	ecn no.	dr	date	linear	0 ± 0.25	projection	title LOW PROFILE PCB III HORZ MOD JACK, FOR 1.6MM P.C.B.
T	T80093	CARRY L	03/09/98		.00 ± 0.13	product family MOD JACK	
U	T80227	CARRY L	06/05/98	angles	.000 ± 0.05		code TWN
				dr	± 2'	size	dwg no.
				enr	KCHOU 10/19/93	scale	87180
				chr	TONY CHIEN 10/19/93	1:1	sheet 1 OF 2
				appd	JENN TSAO 10/19/93		
sheet	revision	U	M				
index	sheet	1	2				

Tous droits strictement réservés. Reproduction ou communication à des tiers sans autorisation écrite du propriétaire. Droits de reproduction BERG ELECTRONICS by



All rights strictly reserved. Reproduction or issue to third parties in any form whatsoever is not permitted without written authority from the proprietor. Copyright BERG ELECTRONICS by

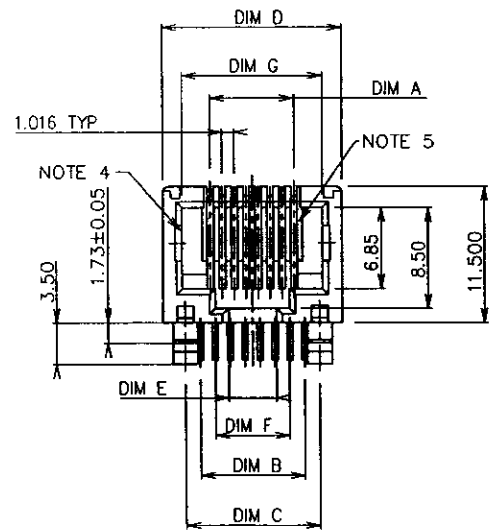
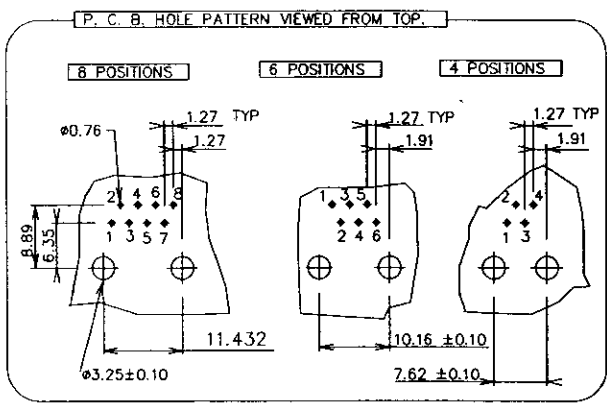
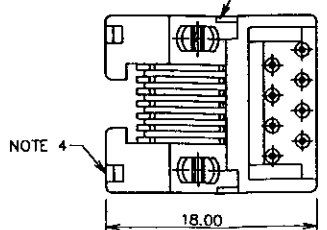
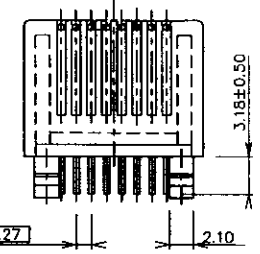
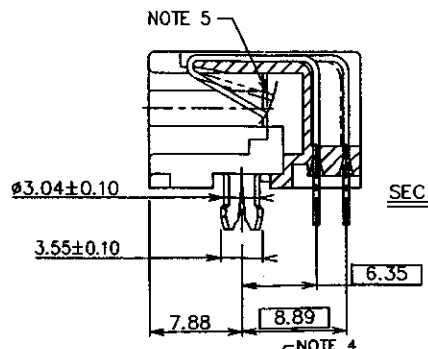
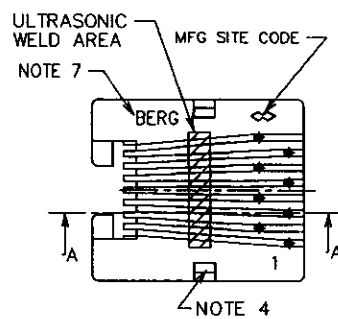


FIGURE 2- 8 POS TYPE.



NOTES:

1. RECOMMENDED P.C.B THICKNESS 1.60 MM
2. HOUSING MAT'L: NYLON 66, 25% GLASS REINFORCED, UL94V-0, COLOR : SEE TABLE.
3. CONTACTS: PHOS BRONZE ALLOY UNS-C51000, 0.460DIA. ROUND WIRE. PLATING SEE TABLE.
- ④ APPEARS ON 8 POS TYPE (P/N 87180-X8X) ONLY.
- ⑤ PROTRUDED SHELF ONLY APPEARS ON 8-POS JACK.
6. STANDARD PACKAGING METHOD(USE TUBE): SEE GES-14-361.
- ⑦ COMPANY LOGO CAN BE "BERG" OR "DU PONT", AND WOULD APPEAR IN THE SAME SHIPMENT UNLESS LOGO SPEC HEREIN IS UPDATED.

mat'l code		tolerance unless otherwise specified		CUSTOMER COPY		<b>BERG ELECTRONICS</b>	
rev. ecn no. dr date	linear	.0 ± 0.25	projection	title			
M		.00 ± 0.13	⊕	LOW PROFILE PCB III HORZ MOD JACK, FOR 1.6MM P.C.B.			
	angles	.000 ± 0.05	± 2°	product family		code	
	dr KCHOU 10/19/93	unit	mm/inch	size		TWN	
	enr TONY CHIEN 10/19/93	scale	1/1	dwg no.		sheet	
	chr TONY CHIEN 10/19/93			A3		87180	
	appd JENN TSAO 10/19/93					2 OF 2	
sheet revision	index sheet	1					