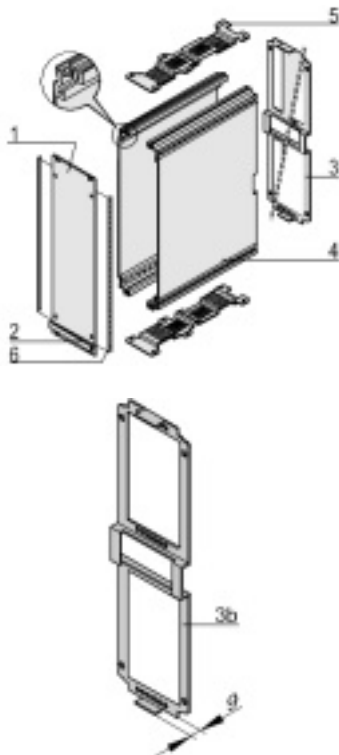


Frame-type 5 plug-in units 3/6 U kits

[Print page](#)



Article number: 20846-672

- Right and left extruded side panels with grooves for sliding in printed board (standard card position only on the left)
- Assembly of further printed boards via assembly of guide rails in the perforated covers
- Front panel EMC shielded, covers with perforation

Delivery comprises: kit

Item	Qty	Description
1	1	Front panel, Al, 2.5 mm, anodised front, colourless chromated rear
2	1	Handle, grey, PPE, UL 04 V-1
3b	1	Rear panel Al, 1.5 mm, with cut-out for several connectors
4	2	Side panel, Al extrusion, with groove for one printed board
5	2	Cover, perforated, Al, 1 mm
6	2	EMC contact strips, stainless steel
7	1	Assembly kit

Technical data:

Height	Width	Description	Description
6 U	10 HP	T = 167 mm front panel, shielded	Rear panel with cut-out for several connectors

Technical data:

T = plug-in unit side panel depth

Further Information:



User Manual
User Manual
User Manual
User Manual