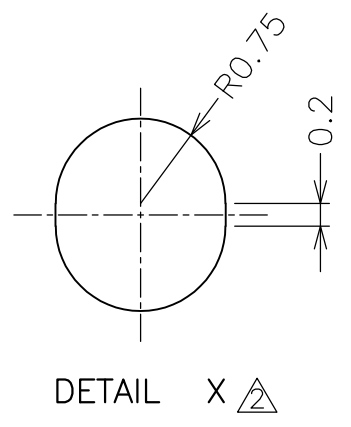
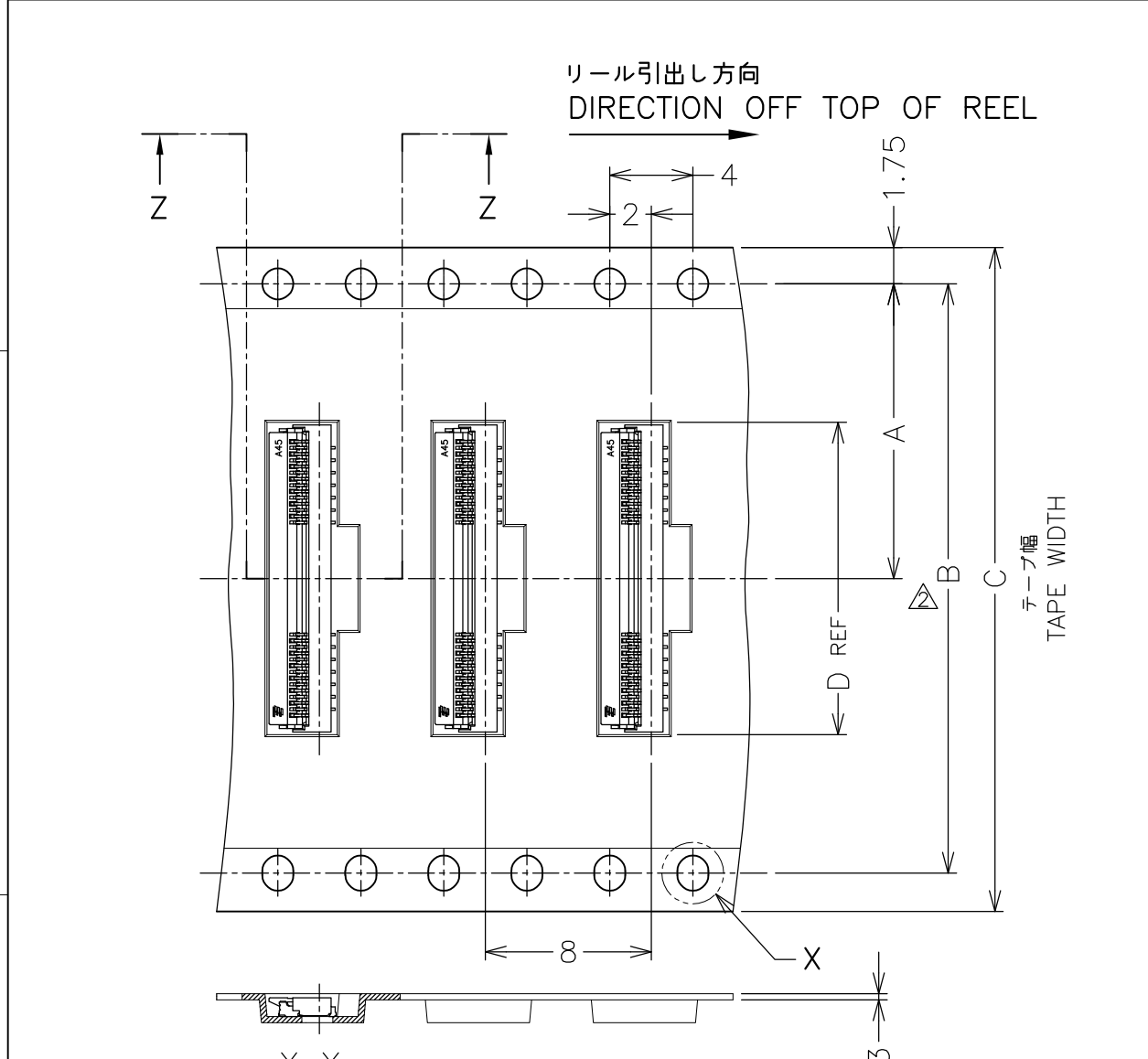
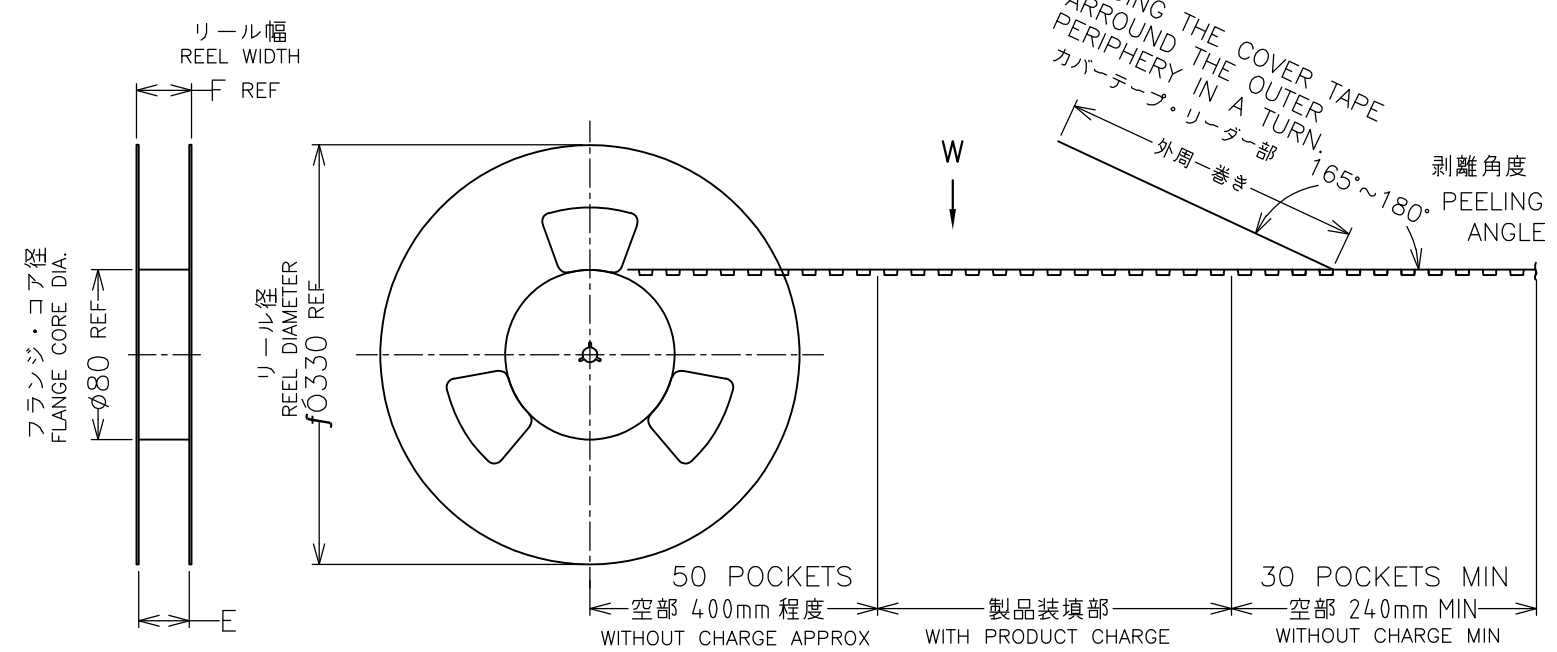


THIS DRAWING IS UNPUBLISHED. RELEASED FOR PUBLICATION  
 © COPYRIGHT BY TYCO ELECTRONICS CORPORATION. ALL RIGHTS RESERVED.

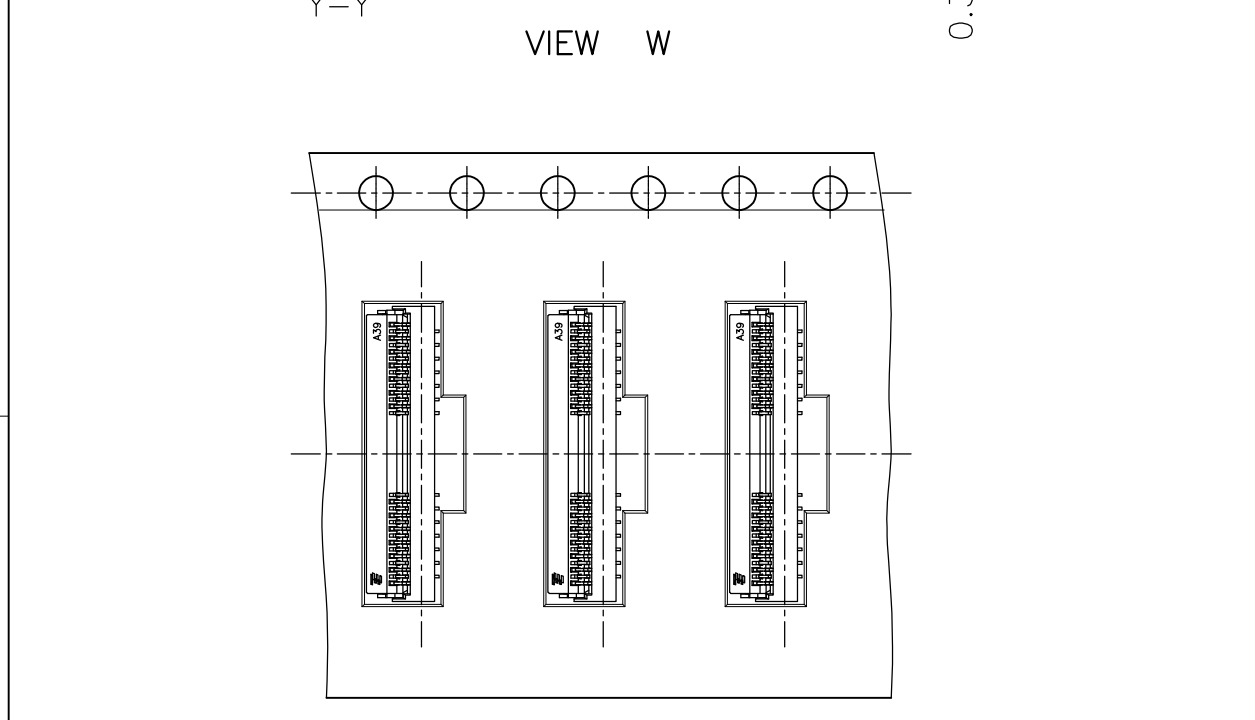
LOC	DIST	REVISIONS					
		P	LTR	DESCRIPTION	DATE	DWN	APVD
J	—		D	REVISED	26APR2010	Y.K	S.K



- △ 一般公差  
 10以下: ±0.2  
 10を越え 30以下: ±0.25  
 30を越え 100以下: ±0.3  
 角度: ±3°
- △ B寸法及び“X”詳細図は、テープ幅32mm以上に適用
- △ GENERAL TOLERANCE  
 10≥: ±0.2  
 30 ≥ >10: ±0.25  
 100 ≥ >30: ±0.3  
 ANGLES: ±3°
- △ DIM. B AND DETAIL “X” APPLIED TAPE WIDE, 32mm MORE.



WINDING THE COVER TAPE AROUND THE OUTER PERIPHERY IN A TURN.  
 カバーテープ・リーダー部 外周一巻き  
 剥離角度 165°~180° PEELING ANGLE



AVAILABLE	0.066g	30.4	25.5	15.05	24	—	11.5	4000	45	1-1827827-8
AVAILABLE	0.058g	30.4	25.5	13.25	24	—	11.5	4000	39	1-1827827-5
AVAILABLE	0.042g	30.4	25.5	9.65	24	—	11.5	4000	27	1827827-9
AVAILABLE	0.039g	23.5	17.5	9.05	16	—	7.5	4000	25	1827827-8
AVAILABLE	0.025g	23.5	17.5	6.05	16	—	7.5	4000	15	1827827-3
STATUS	CONNECTOR WEIGHT	F	E	D	C	B	A	数量(ヶ) QTY/REEL	POS.(N)	EMBOSS TAPE PACKAGING PART NUMBER

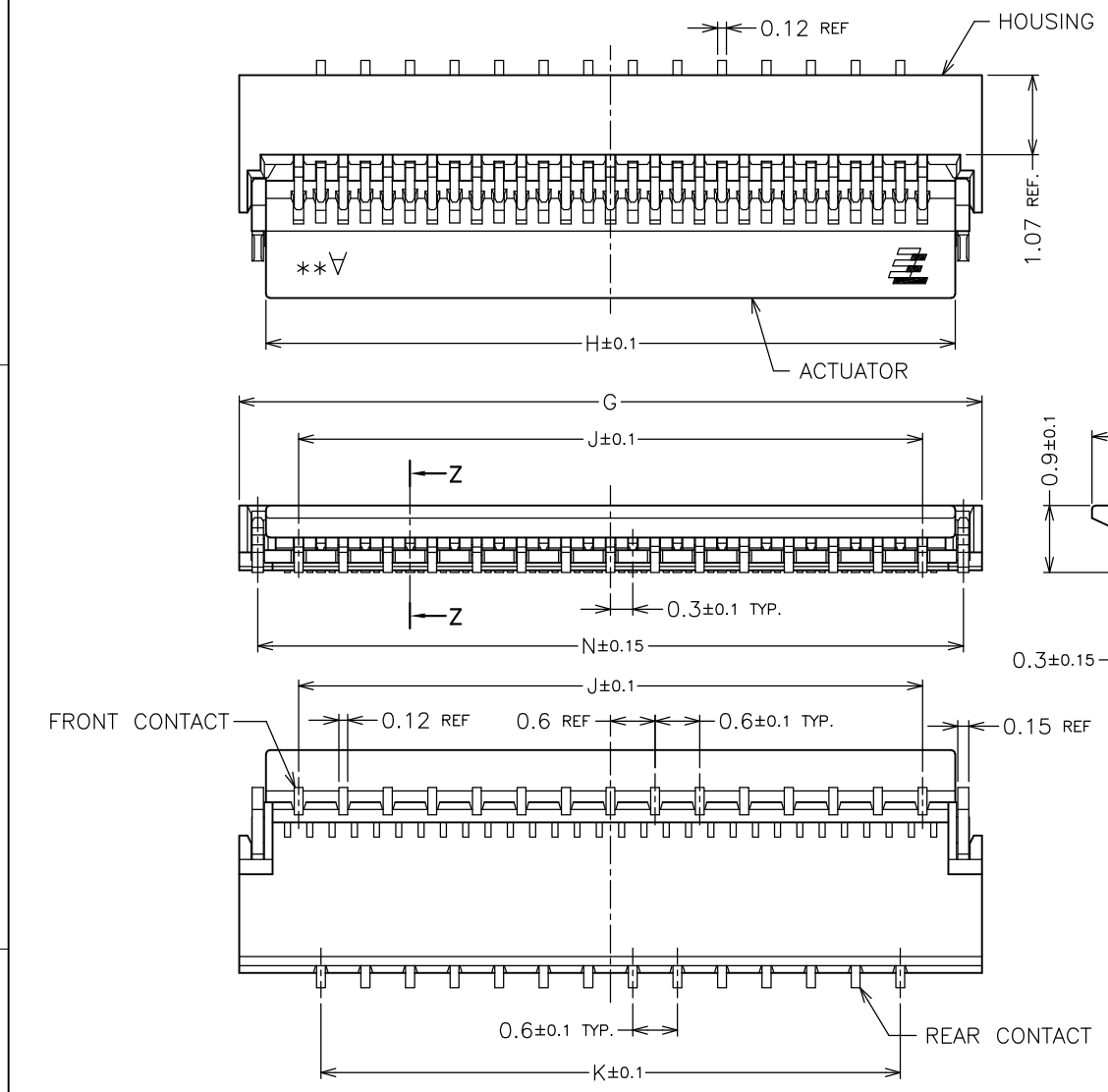
VIEW W  
 テープ幅12mm, 16mm, 24mmに適用  
 APPLIED TAPE WIDTH 12MM, 16MM AND 24MM.

THIS DRAWING IS A CONTROLLED DOCUMENT.

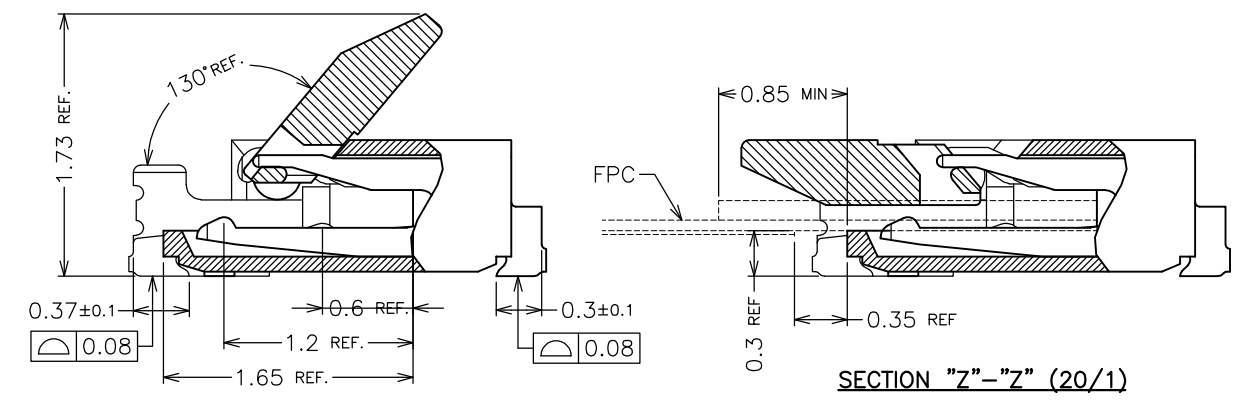
DIMENSIONS: mm	TOLERANCES UNLESS OTHERWISE SPECIFIED: 0 PLC ± 1 PLC ± 2 PLC ± 3 PLC ± 4 PLC ± ANGLES ±	DWN Y.KODAIRA 7AUG2007 CHK T.KUSUHARA 7AUG2007 APVD T.KUSUHARA 7AUG2007	Tyco Electronics Tyco Electronics AMP K.K. Kawasaki, Japan
MATERIAL	FINISH	PRODUCT SPEC 108-78351 APPLICATION SPEC	
WEIGHT SEE TABLE		SIZE A3	CAGE CODE 00779
CUSTOMER DRAWING		DRAWING NO C-1827827	RESTRICTED TO —
SCALE NTS		SHEET 1 OF 2	REV D

THIS DRAWING IS UNPUBLISHED. RELEASED FOR PUBLICATION  
 © COPYRIGHT BY TYCO ELECTRONICS CORPORATION. ALL RIGHTS RESERVED.

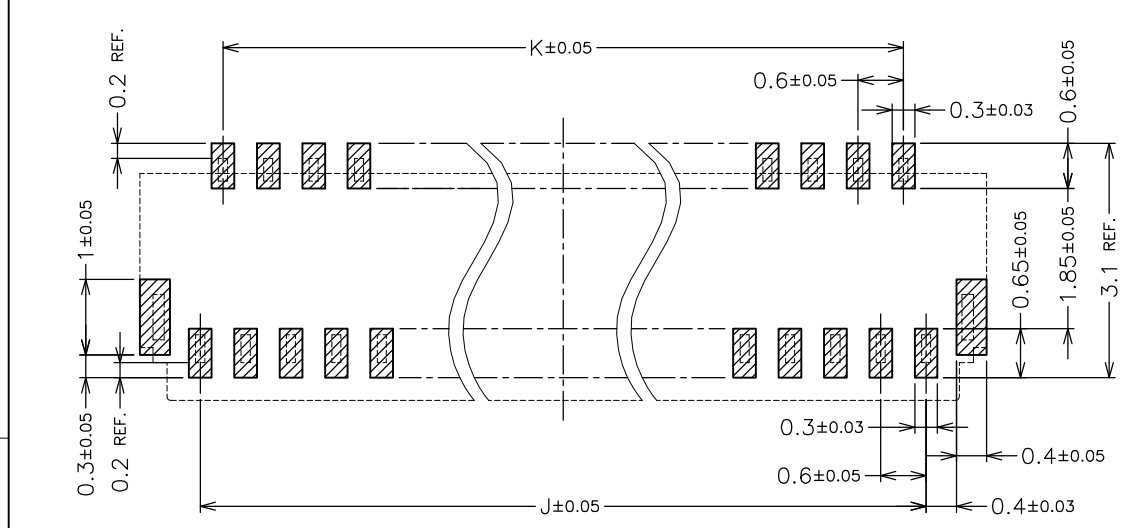
LOC	DIST	REVISIONS					
		P	LTR	DESCRIPTION	DATE	DWN	APVD
J	—	—	—	SEE SHEET 1	—	—	—



3. MATERIAL  
 HOUSING : GRASS FULLED LCP, UL94V-0 (COLOR : NATURAL)  
 ACTUATOR : GRASS FULLED PPS, UL94V-0 (COLOR : BLACK)  
 FRONT CONTACT : COPPER ALLOY  
 REAR CONTACT : COPPER ALLOY  
 SOLDER PEG : COPPER ALLOY
4. FINISH  
 FRONT CONTACT : GOLD OVER NICKEL PLATING  
 REAR CONTACT : GOLD OVER NICKEL PLATING  
 SOLDER PEG : TIN OVER NICKEL PLATING
5. THIS PRODUCT IS NICKEL DAM TYPE.  
 ⚠ DIM.M IS APPLIED BELOW 25PINS.  
 ⚠ THE SUPPORTING TAPE OF FPC IS RECOMMENDED TO USE THE POLYIMIDE OR THE EQUIVALENT MATERIAL OF THE THICKNESS OF 50μm OR MORE.
3. 材質  
 ハウジング : ガラス繊維入りLCP樹脂 UL94V-0 (色:乳白色)  
 アクチュエーター : ガラス繊維入りPPS樹脂 UL94V-0 (色:黒)  
 フロントコンタクト : 銅合金  
 リアコンタクト : 銅合金  
 ソルダーペグ : 銅合金
4. めっき  
 フロントコンタクト : 金めっき (ニッケル下地めっき)  
 リアコンタクト : 金めっき (ニッケル下地めっき)  
 ソルダーペグ : スズめっき (ニッケル下地めっき)
5. 本品は、Niダム仕様のコネクタである。  
 ⚠ DIM. M は、25POS. 以下に適用。  
 ⚠ FPCの補強板には、厚さ50μm以上のポリイミドまたは相当材の使用を推奨する。

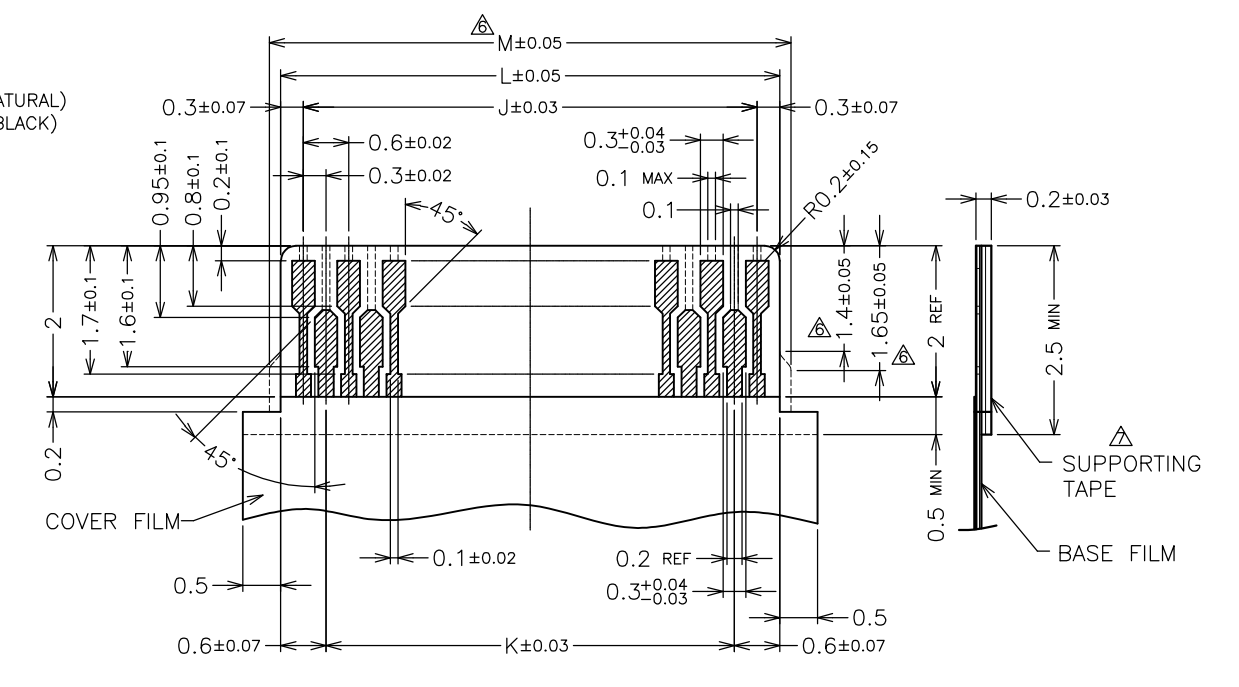


SECTION "Z"- "Z" (20/1)  
 (ACTUATOR OPEN CONDITION)



RECOMMENDED PCB PATTERN DIMENSION

14.3	—	13.8	12.6	13.2	14.08	14.8	45	1-1827827-8
12.5	—	12.0	10.8	11.4	12.28	13.0	39	1-1827827-5
8.9	—	8.4	7.2	7.8	8.68	9.4	27	1827827-9
8.3	8.1	7.8	6.6	7.2	8.08	8.8	25	1827827-8
5.3	5.1	4.8	3.6	4.2	5.08	5.8	15	1827827-3
N	△M	L	K	J	H	G	POS.	CONN. PART No



RECOMMENDED FPC PATTERN DIMENSION  
 CONDUCTOR : GOLD OVER NICKEL PLATING (Au 0.1μm MIN.)

THIS DRAWING IS A CONTROLLED DOCUMENT.

DIMENSIONS: mm	TOLERANCES UNLESS OTHERWISE SPECIFIED:	DWN	Tyco Electronics Tyco Electronics AMP K.K. Kawasaki, Japan			
	0 PLC ± 0.3	CHK	NAME 0.3FPC NARROW FF-L 0.9MMH, 3.2MMW, GOLD PLATE			
	1 PLC ± 0.3	APVD				
	2 PLC ± 0.3	PRODUCT SPEC				
	3 PLC ± 0.3	APPLICATION SPEC				
MATERIAL	FINISH	WEIGHT	SIZE	CAGE CODE	DRAWING NO	RESTRICTED TO
SEE NOTE 1	SEE NOTE 2		A3	00779	G-1827827	—
CUSTOMER DRAWING			SCALE	SHEET	OF	REV
			10:1	2	2	D