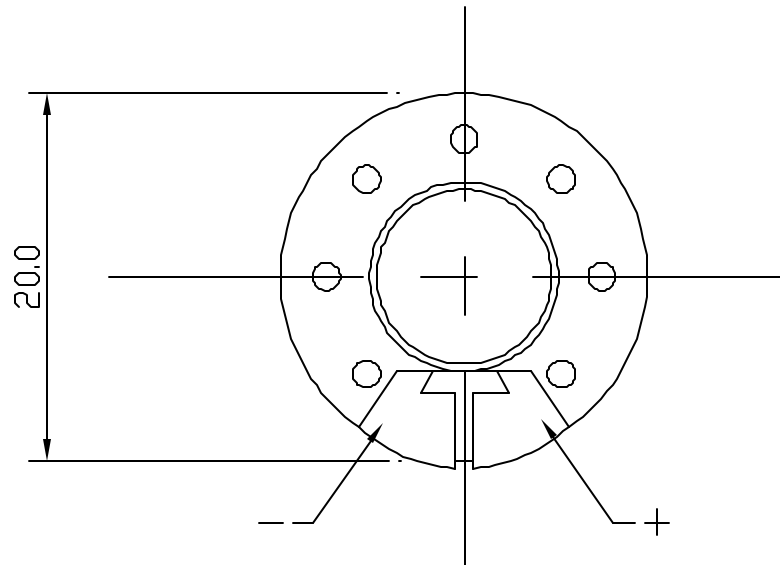
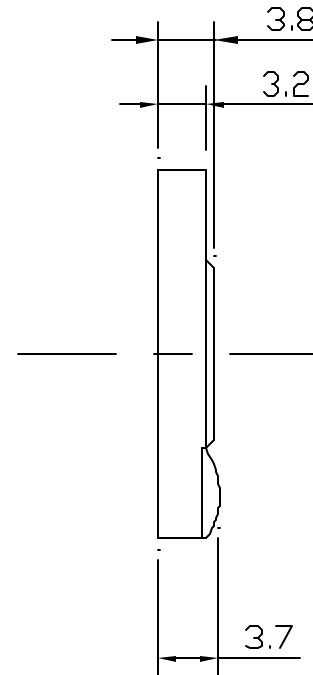


SPECIFICATIONS

PARAMETERS	VALUES	UNITS
Rated Input	0.08	W
Maximum Input	0.15	W
Frequency Range	850 ~ 4000	Hz
Lowest Resonant Frequency	850±150	Hz
Impedance at 1 kHz / 1 V	8±20%	Ohm
SPL at 0.1 W / 10 cm (1.0, 1.2, 1.5, 2.0 kHz average)	87±3	dB
Operating Temperature	-20 ~ +55	°C
Weight	1.5	g



REVISIONS			
LTR	DESCRIPTION	DATE	APPROVED
-	RELEASED FROM ENGINEERING	04/11/02	




NOTES:

1. ALL DIMENSIONS ARE IN MILLIMETERS.
2. SPECIFICATION SUBJECT TO CHANGE OR WITHDRAWAL WITHOUT NOTICE.

DRAWING NAME
ADS2008

UNLESS OTHERWISE SPECIFIED
DIMENSIONS ARE IN MILLIMETERS
TOLERANCES ARE:
FRACTIONS DECIMALS ANGLES
± .XX ± 0.5 ±
XXX ±

APPROVALS	DATE
DRAWN <i>RABL</i>	04/02
CHECKED	
APPROVED <i>S.J.</i>	08/19/02
DO NOT SCALE DRAWING	

 **projects unlimited** Dayton, Ohio

MINIATURE SPEAKER TRANSDUCER
ADS-2008

SIZE A	MATERIAL	DRAWING NO. ADS2008.DWG
SCALE N/A	MAX. WT.	SHEET 1 OF 1