

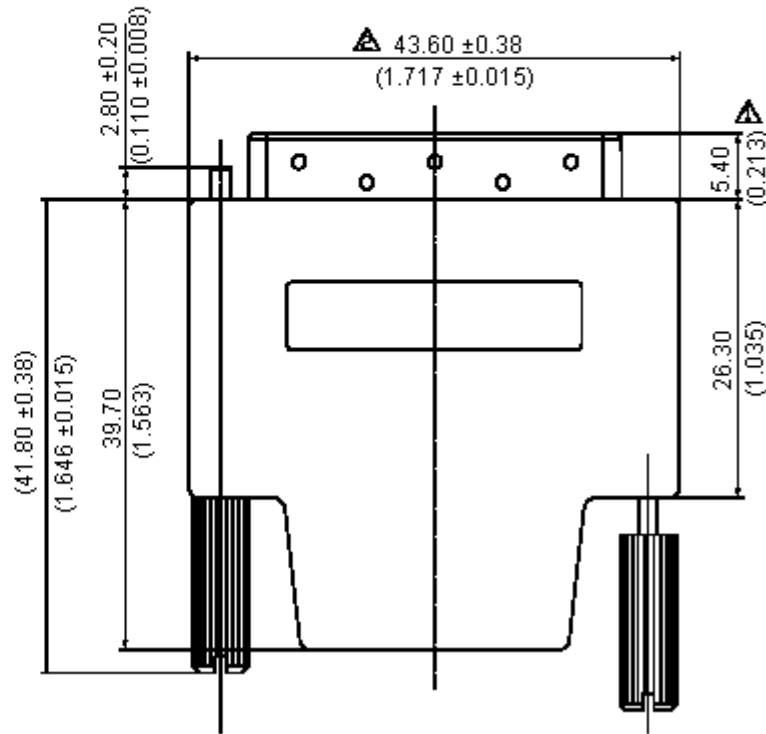
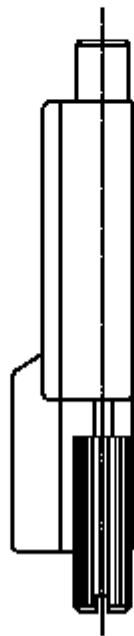
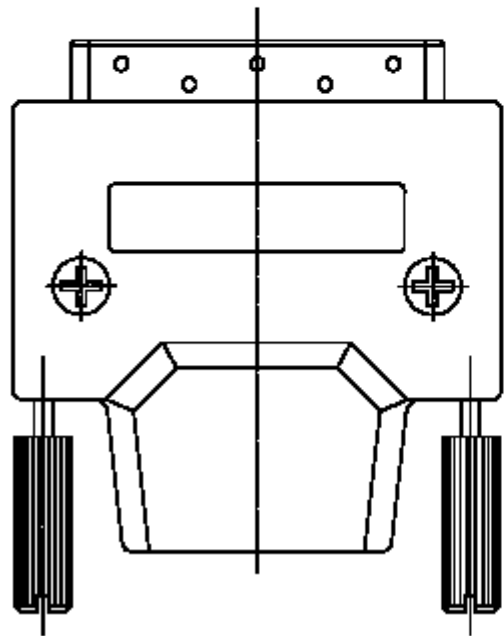
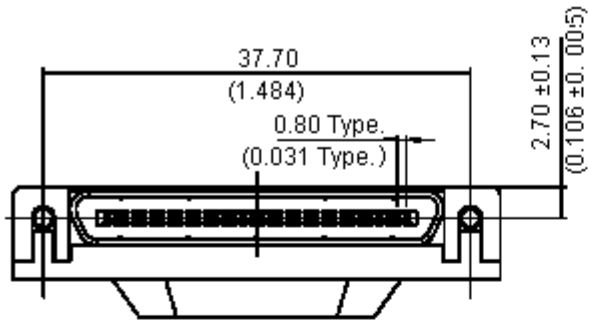


PART NO.

34D068P-32614-AH

REVISIONS

ECN #	REV	DESCRIPTION	DRAWN	DATE	CHECKD	DATE	APPRVD	DATE
-	A	RELEASED	Veena	14/4/08	Suresh	14/4/08	G. C	28/4/08



Dimensions : Millimetres (Inches)

This data sheet and its contents (the "Information") belong to the Premier Farnell Group (the "Group") or are licensed to it. No licence is granted for the use of it other than for information purposes in connection with the products to which it relates. No licence of any intellectual property rights is granted. The Information is subject to change without notice and replaces all data sheets previously supplied. The Information supplied is believed to be accurate but the Group assumes no responsibility for its accuracy or completeness, any error in or omission from it or for any use made of it. Users of this data sheet should check for themselves the Information and the suitability of the products for their purpose and not make any assumptions based on information included or omitted. Liability for loss or damage resulting from any reliance on the Information or use of it (including liability resulting from negligence or where the Group was aware of the possibility of such loss or damage arising) is excluded. This will not operate to limit or restrict the Group's liability for death or personal injury resulting from its negligence. SPC MULTICOMP is the registered trademark of the Group. © Premier Farnell plc 2008.

TOLERANCES:

UNLESS OTHERWISE SPECIFIED, DIMENSIONS ARE FOR REFERENCE PURPOSES ONLY.

DRAWN BY:

Veena

CHECKED BY:

Suresh

APPROVED BY:

G.Cook

DATE:

14/04/08

DATE:

14/04/08

DATE:

28/04/08

DRAWING TITLE:

VHDCI Plug - 68 way with hood and screws

SIZE  
A

DWG NO.

M10000844

ELECTRONIC FILE  
1428253\_DWG

REV  
A

SCALE: NTS

U.O.M.: mm (Inches)

SHEET: 1 OF 2

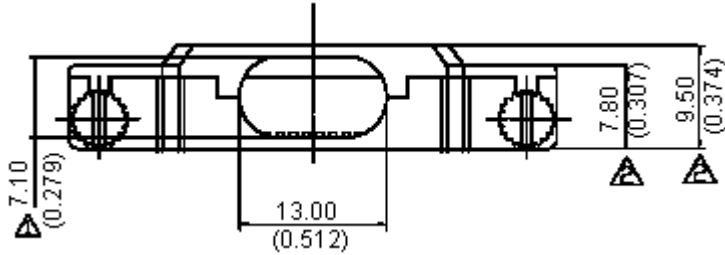


PART NO.

34D068P-32614-AH

REVISIONS

ECN #	REV	DESCRIPTION	DRAWN	DATE	CHECKD	DATE	APPRVD	DATE
-	A	RELEASED	Veena	14/4/08	Suresh	14/4/08	G. C	28/4/08



Dimensions : Millimetres (Inches)

Specifications:

- Voltage rating : 30 V ac.
- Current rating : 0.3A/contact.
- Dielectric withstanding voltage : 250V ac for one minute.
- Insulation resistance : 500 megohms.

Material :

- Contact : Phosphor bronze, selective gold plating over nickel.
- Housing : PBT with 30% glass-fiber.
- Retainer : PBT with 30% glass-fiber.
- Spacer : PBT with 30% glass-fiber.
- Cover : PBT with 30% glass-fiber.
- Shell : Spcc, nickel plated.
- Hood : Zinc alloy, nickel plated.

Part Number Table

Description	Part Number
VHDCI Plug 68 Way with hood and screwsContact, 15A	34D068P-32614-AH

<http://www.farnell.com>

<http://www.newark.com>

<http://www.cpc.co.uk>

This data sheet and its contents (the "Information") belong to the Premier Farnell Group (the "Group") or are licensed to it. No licence is granted for the use of it other than for information purposes in connection with the products to which it relates. No licence of any intellectual property rights is granted. The Information is subject to change without notice and replaces all data sheets previously supplied. The Information supplied is believed to be accurate but the Group assumes no responsibility for its accuracy or completeness, any error in or omission from it or for any use made of it. Users of this data sheet should check for themselves the Information and the suitability of the products for their purpose and not make any assumptions based on information included or omitted. Liability for loss or damage resulting from any reliance on the Information or use of it (including liability resulting from negligence or where the Group was aware of the possibility of such loss or damage arising) is excluded. This will not operate to limit or restrict the Group's liability for death or personal injury resulting from its negligence. SPC MULTICOMP is the registered trademark of the Group. © Premier Farnell plc 2008.

TOLERANCES:

UNLESS OTHERWISE SPECIFIED, DIMENSIONS ARE FOR REFERENCE PURPOSES ONLY.

DRAWN BY:	DATE:
Veena	14/04/08
CHECKED BY:	DATE:
Suresh	14/04/08
APPROVED BY:	DATE:
G.Cook	28/04/08

DRAWING TITLE:

VHDCI Plug - 68 way with hood and screws

SIZE A	DWG NO. M10000844	ELECTRONIC FILE 1428253_DWG	REV A
SCALE: NTS		U.O.M.: mm (Inches)	SHEET: 2 OF 2