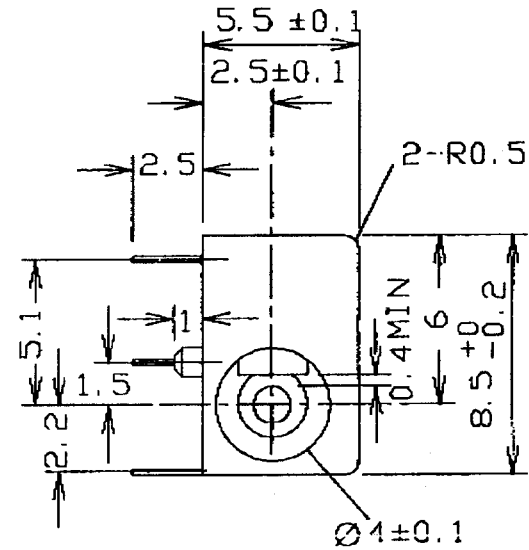
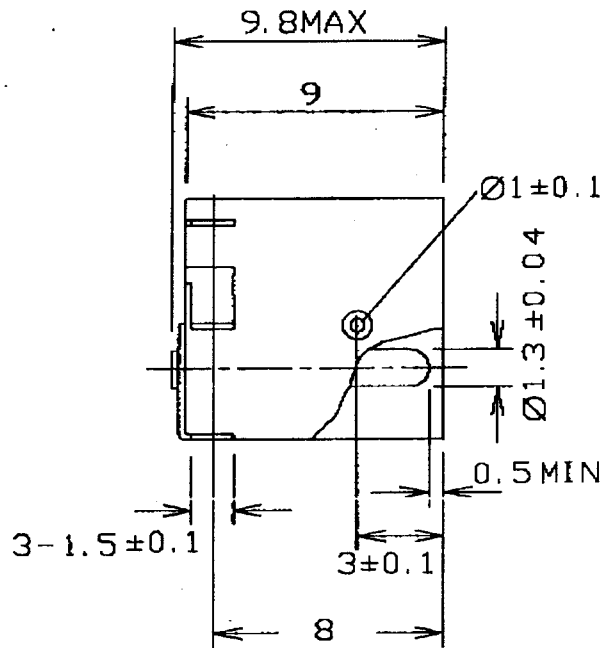
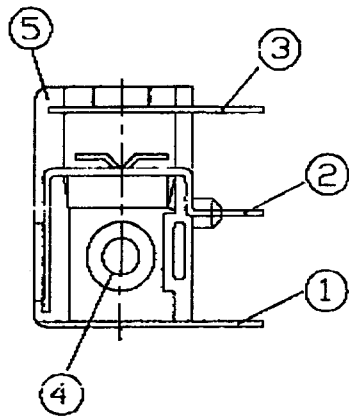
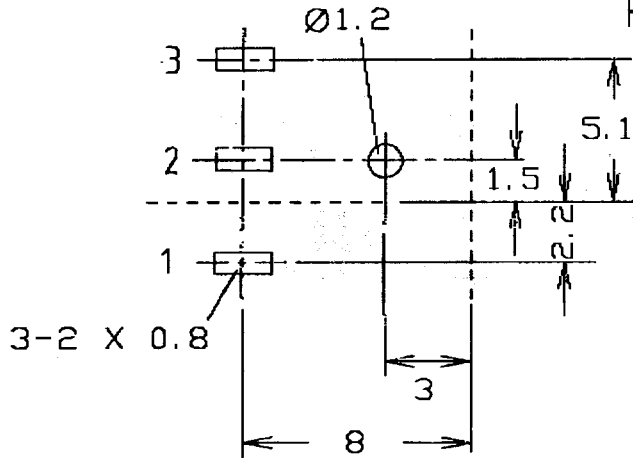
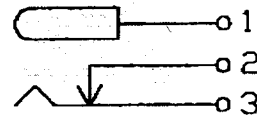


CLIFF



SCHEMATIC



TRACK SIDE

ITEM	DESCRIPTION	QTY	MATERIAL	FINISH
1	PIN TERMINAL	1	SPRING BRASS 0.3 THK	SILVER PLATED
2	BREAK TERMINAL	1	SPRING BRASS 0.3 THK	SILVER PLATED
3	SLEEVE TERMINAL	1	Y-CUT 0.25 THK	SILVER PLATED
4	PIN	1	SPRING BRASS	NICKEL PLATED
5	HOUSING	1	P.B.T.	AS MOULDED

ISS	AMEND	DATE
1	REDRAWN	11/7/90
2	PIN Ø IN TITLE	27/4/98

Tolerance

NO DEC. PLACE ±

1 DEC. PLACE ± 0.20

2 DEC. PLACE ±

DIA. HOLES ±

ANGLES ± 1/2°

UNLESS OTHERWISE STATED

WHERE USED F.R.

SCALE N.T.S.

DIMENSIONS IN MILLIMETERS UNLESS OTHERWISE STATED. WORK TO DIMENSIONS. DO NOT SCALE DRAWING. 3rd ANGLE PROJECTION. REMOVE BURRS. IF IN DOUBT ASK.

Cliff Electronic Components Limited
 76 Holmehorpe Ave., Holmehorpe Ind Estate,
 Redhill, Surrey RH1 2PL England
 Tel: 01737-771375 Fax: 01737 766092

MATERIAL SEE TABLE
 FINISH SEE TABLE
 DRAWN C.A.M.J. APPD. RWT

TITLE DC POWER SOCKET DC8 (1.3mm PIN)
 DRWG. No. FC 68145

FORM:AMDRWGH