




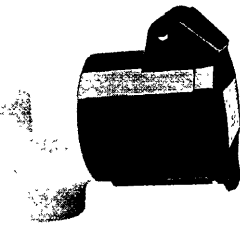
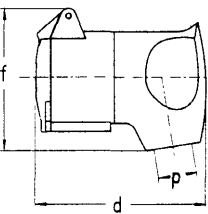
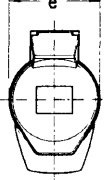

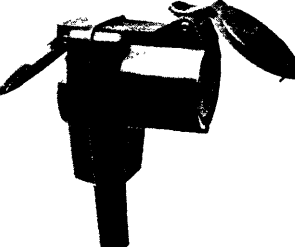
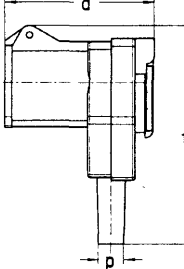
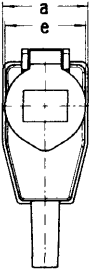
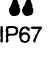

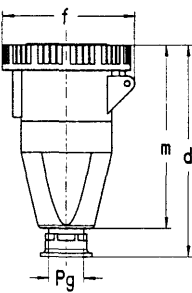
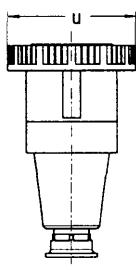




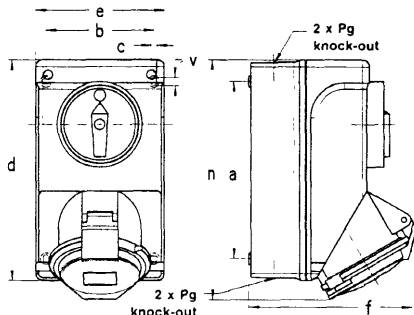


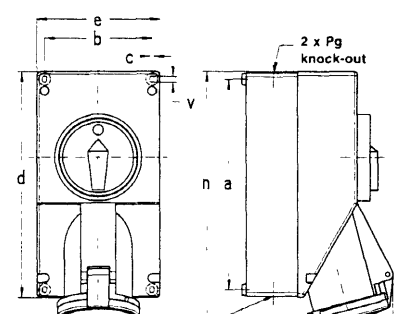

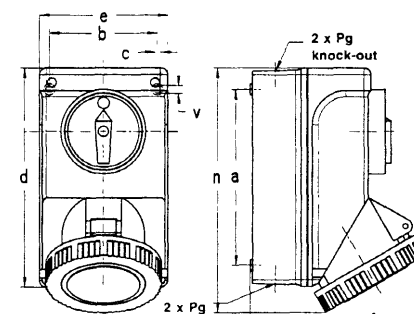


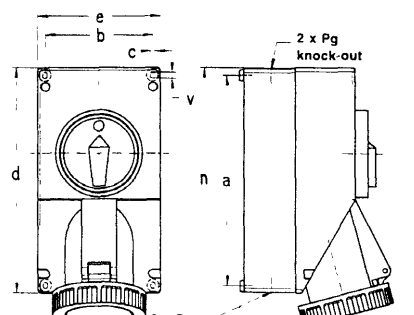


716 6321

Amp	Volt	Hz	IP Ident. colour + h	Part No	Couplers	2 P +  IEC/EN 60 309	 	EAN No. 4015609...																																
																																								
mondo angled coupler, RAL 7035 light grey					  					<table border="1"> <tr> <th>Ampère</th> <th>d</th> <th>e</th> <th>f</th> <th>p</th> </tr> <tr> <td>16 A</td> <td>95</td> <td>50,3</td> <td>80</td> <td>8/13</td> </tr> </table>		Ampère	d	e	f	p	16 A	95	50,3	80	8/13																			
Ampère	d	e	f	p																																				
16 A	95	50,3	80	8/13																																				
16	230 110 400	50/60 50/60 50/60	6 4 9	316 306 316 304 316 309	<table border="1"> <tr> <th>Ampère</th> <th>d</th> <th>e</th> <th>f</th> <th>p</th> </tr> <tr> <td>16 A</td> <td>95</td> <td>50,3</td> <td>80</td> <td>8/13</td> </tr> </table>		Ampère	d	e	f	p	16 A	95	50,3	80	8/13	10 138	016310 016303 016327																						
Ampère	d	e	f	p																																				
16 A	95	50,3	80	8/13																																				
				angled coupler, with Schuko socket outlet on reverse side																																				
16	230	50/60	6	317 306	  					<table border="1"> <tr> <th>Ampère</th> <th>a</th> <th>d</th> <th>e</th> <th>f</th> <th>Øp</th> </tr> <tr> <td>16 A</td> <td>54</td> <td>87</td> <td>49,5</td> <td>140</td> <td>7/13</td> </tr> </table>		Ampère	a	d	e	f	Øp	16 A	54	87	49,5	140	7/13																	
Ampère	a	d	e	f	Øp																																			
16 A	54	87	49,5	140	7/13																																			
16	230 110 400	50/60 50/60 50/60	6 4 9	319 306 319 304 319 309	gland entry																																			
				  					<table border="1"> <tr> <th>Ampère</th> <th>d</th> <th>f</th> <th>m</th> <th>u</th> <th>Pg</th> </tr> <tr> <td>16 A</td> <td>136</td> <td>78</td> <td>121</td> <td>72</td> <td>13,5</td> </tr> <tr> <td>32 A</td> <td>170</td> <td>96</td> <td>149</td> <td>96</td> <td>21</td> </tr> <tr> <td>63 A</td> <td>255</td> <td>117</td> <td>206</td> <td>110</td> <td>36</td> </tr> <tr> <td>125 A</td> <td>332</td> <td>130</td> <td>275</td> <td>130</td> <td>48</td> </tr> </table>		Ampère	d	f	m	u	Pg	16 A	136	78	121	72	13,5	32 A	170	96	149	96	21	63 A	255	117	206	110	36	125 A	332	130	275	130	48
Ampère	d	f	m	u	Pg																																			
16 A	136	78	121	72	13,5																																			
32 A	170	96	149	96	21																																			
63 A	255	117	206	110	36																																			
125 A	332	130	275	130	48																																			
16	230 110 400	50/60 50/60 50/60	6 4 9	319 306 319 304 319 309	<table border="1"> <tr> <th>Ampère</th> <th>d</th> <th>f</th> <th>m</th> <th>u</th> <th>Pg</th> </tr> <tr> <td>16 A</td> <td>136</td> <td>78</td> <td>121</td> <td>72</td> <td>13,5</td> </tr> <tr> <td>32 A</td> <td>170</td> <td>96</td> <td>149</td> <td>96</td> <td>21</td> </tr> <tr> <td>63 A</td> <td>255</td> <td>117</td> <td>206</td> <td>110</td> <td>36</td> </tr> <tr> <td>125 A</td> <td>332</td> <td>130</td> <td>275</td> <td>130</td> <td>48</td> </tr> </table>		Ampère	d	f	m	u	Pg	16 A	136	78	121	72	13,5	32 A	170	96	149	96	21	63 A	255	117	206	110	36	125 A	332	130	275	130	48	10 172	016372 016365 016389		
Ampère	d	f	m	u	Pg																																			
16 A	136	78	121	72	13,5																																			
32 A	170	96	149	96	21																																			
63 A	255	117	206	110	36																																			
125 A	332	130	275	130	48																																			
32	230 110 400	50/60 50/60 50/60	6 4 9	339 306 339 304 339 309	<table border="1"> <tr> <th>Ampère</th> <th>d</th> <th>f</th> <th>m</th> <th>u</th> <th>Pg</th> </tr> <tr> <td>16 A</td> <td>136</td> <td>78</td> <td>121</td> <td>72</td> <td>13,5</td> </tr> <tr> <td>32 A</td> <td>170</td> <td>96</td> <td>149</td> <td>96</td> <td>21</td> </tr> <tr> <td>63 A</td> <td>255</td> <td>117</td> <td>206</td> <td>110</td> <td>36</td> </tr> <tr> <td>125 A</td> <td>332</td> <td>130</td> <td>275</td> <td>130</td> <td>48</td> </tr> </table>		Ampère	d	f	m	u	Pg	16 A	136	78	121	72	13,5	32 A	170	96	149	96	21	63 A	255	117	206	110	36	125 A	332	130	275	130	48	10 308	017294 017287 017300		
Ampère	d	f	m	u	Pg																																			
16 A	136	78	121	72	13,5																																			
32 A	170	96	149	96	21																																			
63 A	255	117	206	110	36																																			
125 A	332	130	275	130	48																																			
63	230 110 400	50/60 50/60 50/60	6 4 9	369 306 369 304 369 309	<table border="1"> <tr> <th>Ampère</th> <th>d</th> <th>f</th> <th>m</th> <th>u</th> <th>Pg</th> </tr> <tr> <td>16 A</td> <td>136</td> <td>78</td> <td>121</td> <td>72</td> <td>13,5</td> </tr> <tr> <td>32 A</td> <td>170</td> <td>96</td> <td>149</td> <td>96</td> <td>21</td> </tr> <tr> <td>63 A</td> <td>255</td> <td>117</td> <td>206</td> <td>110</td> <td>36</td> </tr> <tr> <td>125 A</td> <td>332</td> <td>130</td> <td>275</td> <td>130</td> <td>48</td> </tr> </table>		Ampère	d	f	m	u	Pg	16 A	136	78	121	72	13,5	32 A	170	96	149	96	21	63 A	255	117	206	110	36	125 A	332	130	275	130	48	5 758	017874 017867 017881		
Ampère	d	f	m	u	Pg																																			
16 A	136	78	121	72	13,5																																			
32 A	170	96	149	96	21																																			
63 A	255	117	206	110	36																																			
125 A	332	130	275	130	48																																			
125	230 110 400	50/60 50/60 50/60	6 4 9	379 306 379 304 379 309	<table border="1"> <tr> <th>Ampère</th> <th>d</th> <th>f</th> <th>m</th> <th>u</th> <th>Pg</th> </tr> <tr> <td>16 A</td> <td>136</td> <td>78</td> <td>121</td> <td>72</td> <td>13,5</td> </tr> <tr> <td>32 A</td> <td>170</td> <td>96</td> <td>149</td> <td>96</td> <td>21</td> </tr> <tr> <td>63 A</td> <td>255</td> <td>117</td> <td>206</td> <td>110</td> <td>36</td> </tr> <tr> <td>125 A</td> <td>332</td> <td>130</td> <td>275</td> <td>130</td> <td>48</td> </tr> </table>		Ampère	d	f	m	u	Pg	16 A	136	78	121	72	13,5	32 A	170	96	149	96	21	63 A	255	117	206	110	36	125 A	332	130	275	130	48	2 1362	018055 018048 160730		
Ampère	d	f	m	u	Pg																																			
16 A	136	78	121	72	13,5																																			
32 A	170	96	149	96	21																																			
63 A	255	117	206	110	36																																			
125 A	332	130	275	130	48																																			
				with Multi Contact																																				

Amp	Volt	Hz	IP Ident. colour + h	Part No.	Wall socket outlets with switch	2 P + 	IEC/EN 60 309	 g	EAN No. 4015609...
					with double interlocking, switch 2 poles				
									
16	230	50/60	6	531 23 16				1	039562 039555 039579
	110	50/60	4	531 23 14					
	400	50/60	9	531 23 19					
32	230	50/60	6	531 23 36				1	039609 039593 039616
	110	50/60	4	531 23 34					
	400	50/60	9	531 23 39					
					with double interlocking, switch 2 poles				
63	230	50/60	6	531 23 66				1	039630 039623 039647
	110	50/60	4	531 23 64					
	400	50/60	9	531 23 69					
					with double interlocking, switch 2 poles				
16	230	50/60	6	531 33 16				1	039944 133116 166251
	110	50/60	4	531 33 14					
	400	50/60	9	531 33 19					
32	230	50/60	6	531 33 36				1	134267 166268 166275
	110	50/60	4	531 33 34					
	400	50/60	9	531 33 39					
					with double interlocking, switch 2 poles				
63	230	50/60	6	531 33 66				1	174034 039951 166282
	110	50/60	4	531 33 64					
	400	50/60	9	531 33 69					