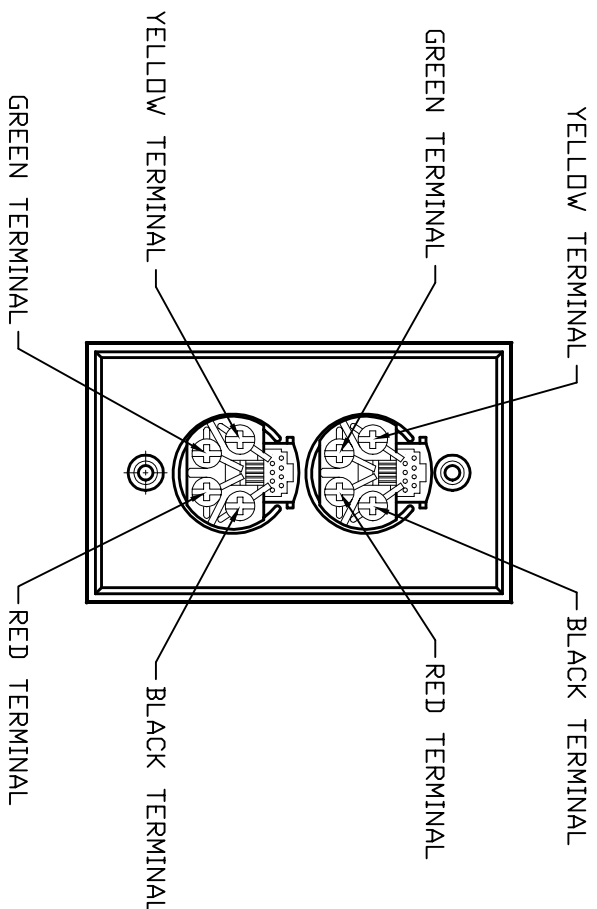
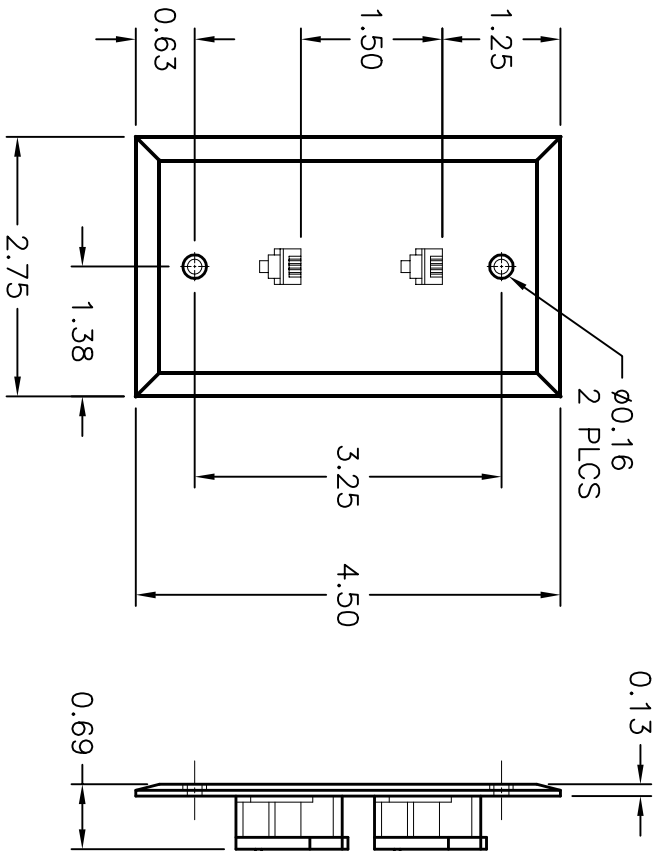


REVISIONS				DOC. NO. SPC-F005	* Effective: 12/21/98	* DCP No. 680		
DCP #	REV	DESCRIPTION	DRAWN	DATE	CHECKD	DATE	APPRD	DATE
788	A	RELEASED	HYO	6/8/00	JC	8/10/00	DJC	9/11/00



**SPECIFICATIONS:**

1. CONNECTOR: 6 POSITION / 4 CONDUCTOR
2. LEADWIRE: 26 AWG, 7 STRAND
3. LEADWIRE COLORS: BLACK, RED, GREEN, YELLOW
4. SPRING WIRE: .45mm (0.018 in) DIAMETER, PHOSPHOROUS BRONZE ALLOY
5. HOUSING MATERIAL: ABS AND POLYCARBONATE
6. COLOR: ALMOND

7. INSULATION RESISTANCE: >500 MEGOHMS
8. DIELECTRIC STRENGTH: 500 V AC RMS, 60 HZ
9. CONTACT RESISTANCE: <15 MILLIOHMS
10. CURRENT RATING: 1-1/2 AMPS
11. RETENTION FORCE: 76 N (17 lbs)
12. CRIMPING STRENGTH: 2.0 Kg (4.4 lbs)
13. HARDWARE: (2) #8-32 MACHINE SCREWS

DISCLAIMER:  
ALL STATEMENTS AND TECHNICAL INFORMATION CONTAINED HEREIN ARE BASED UPON INFORMATION AND/OR TESTS WE BELIEVE TO BE ACCURATE AND RELIABLE. SINCE CONDITIONS OF USE ARE BEYOND OUR CONTROL, THE USER SHALL DETERMINE THE SUITABILITY OF THE PRODUCT FOR THE INTENDED USE AND ASSUME ALL RISK AND LIABILITY WHATSOEVER IN CONNECTION THEREWITH.



**SPC TECHNOLOGY**

UNLESS OTHERWISE SPECIFIED, DIMENSIONS ARE FOR REFERENCE PURPOSES ONLY.

DRAWN BY:	HISHAM ODISH	DATE:	6/8/00
CHECKED BY:	JOHN COLE	DATE:	8/10/00
APPROVED BY:	DANIEL CAREY	DATE:	9/11/00

DRAWING TITLE:			
DUAL TELEPHONE WALL PLATE, 4 CONDUCTOR			
SIZE	DWG. NO.	ELECTRONIC FILE	REV
A	8588-0061	52N9418.DWG	A
SCALE:	NTS	U.O.M.: INCHES	SHEET: 1 OF 1