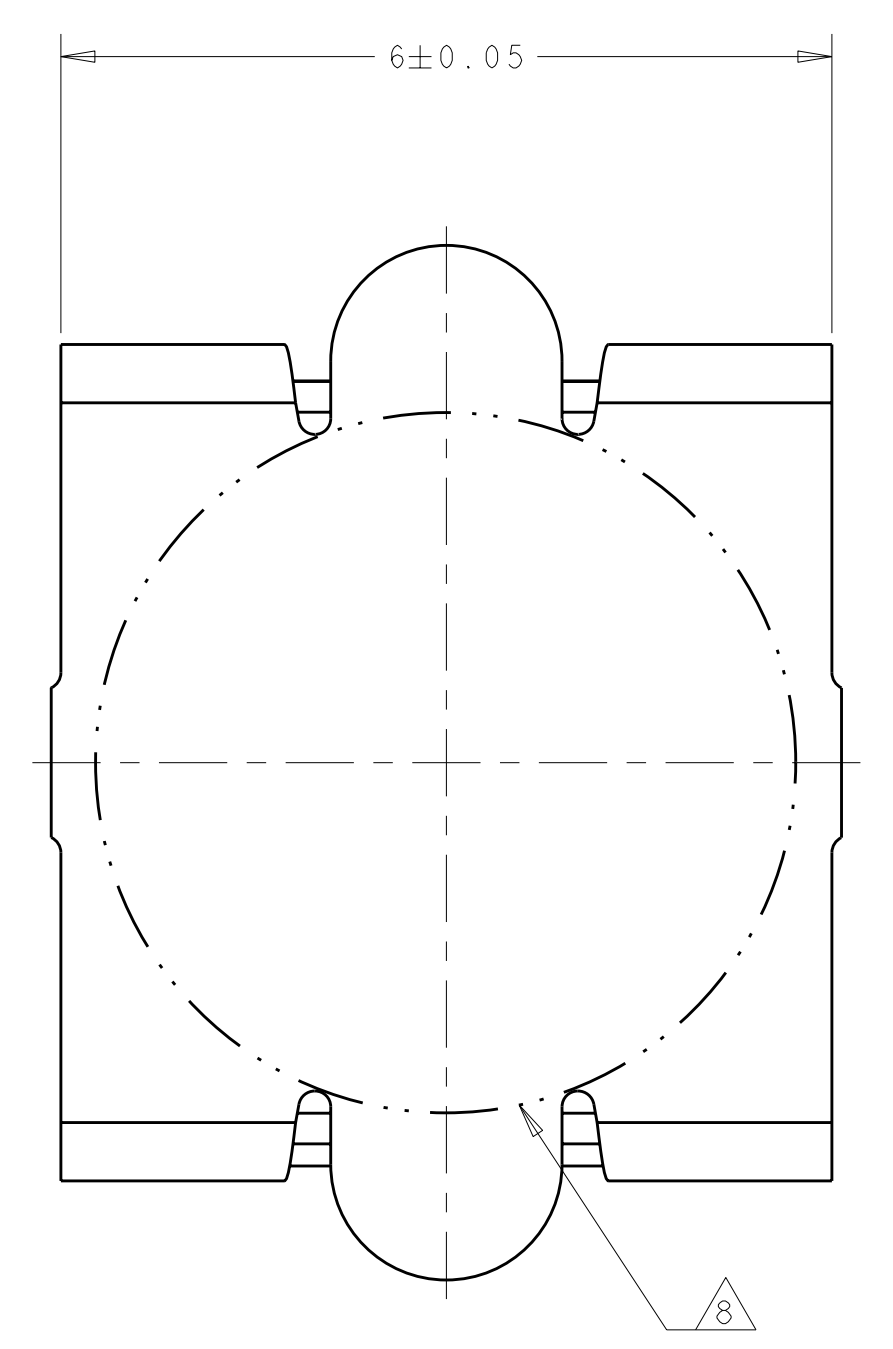
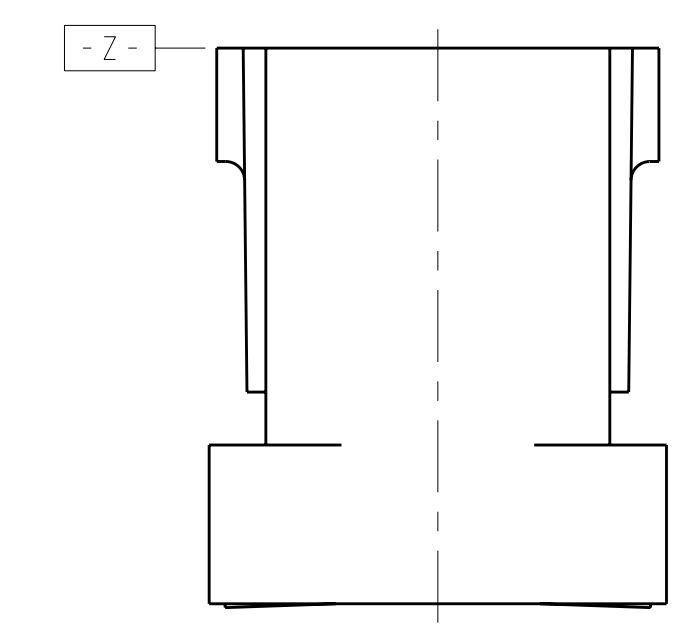
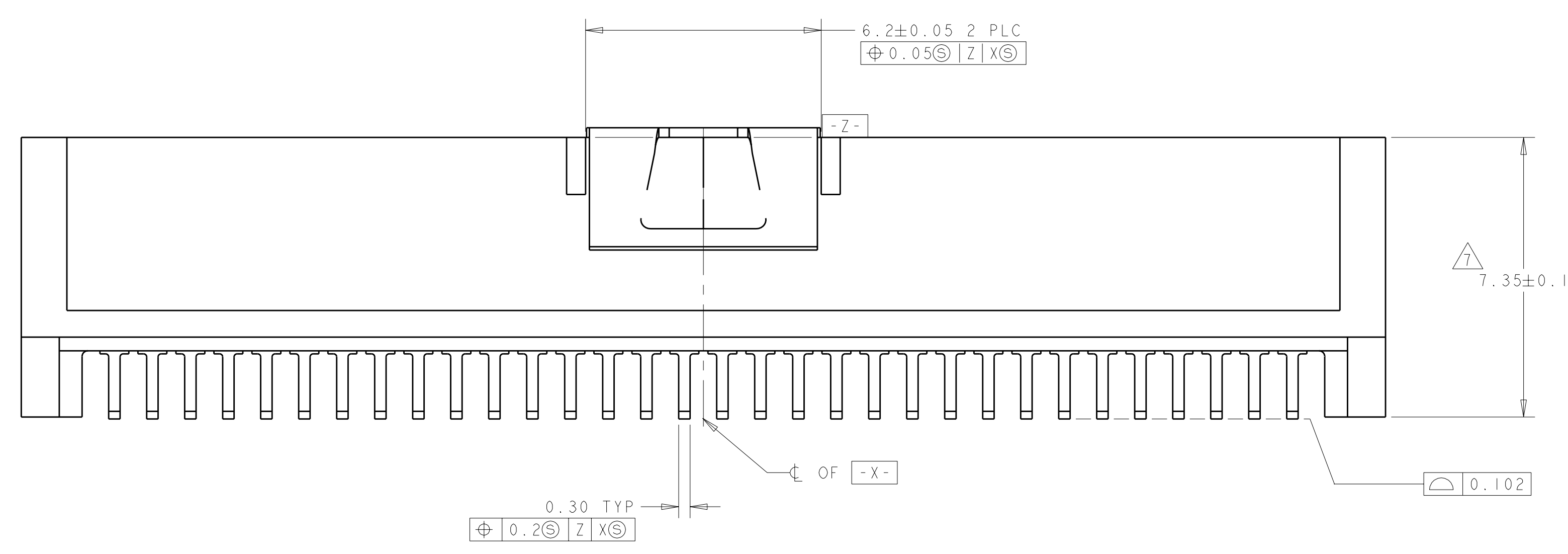
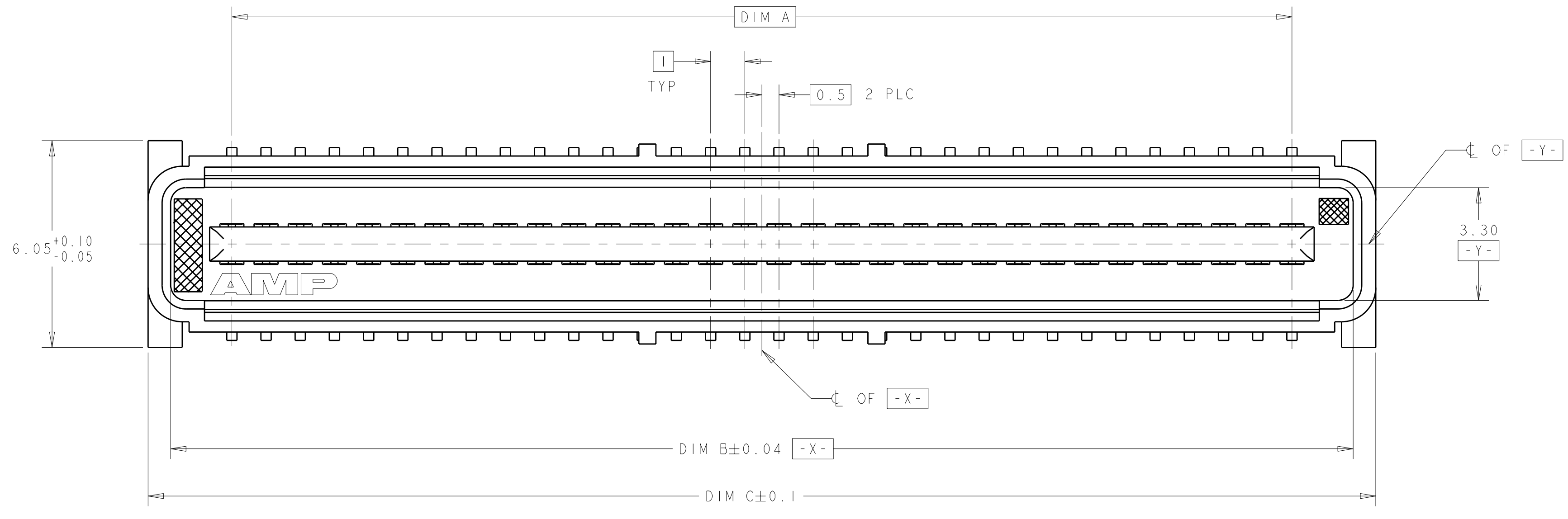
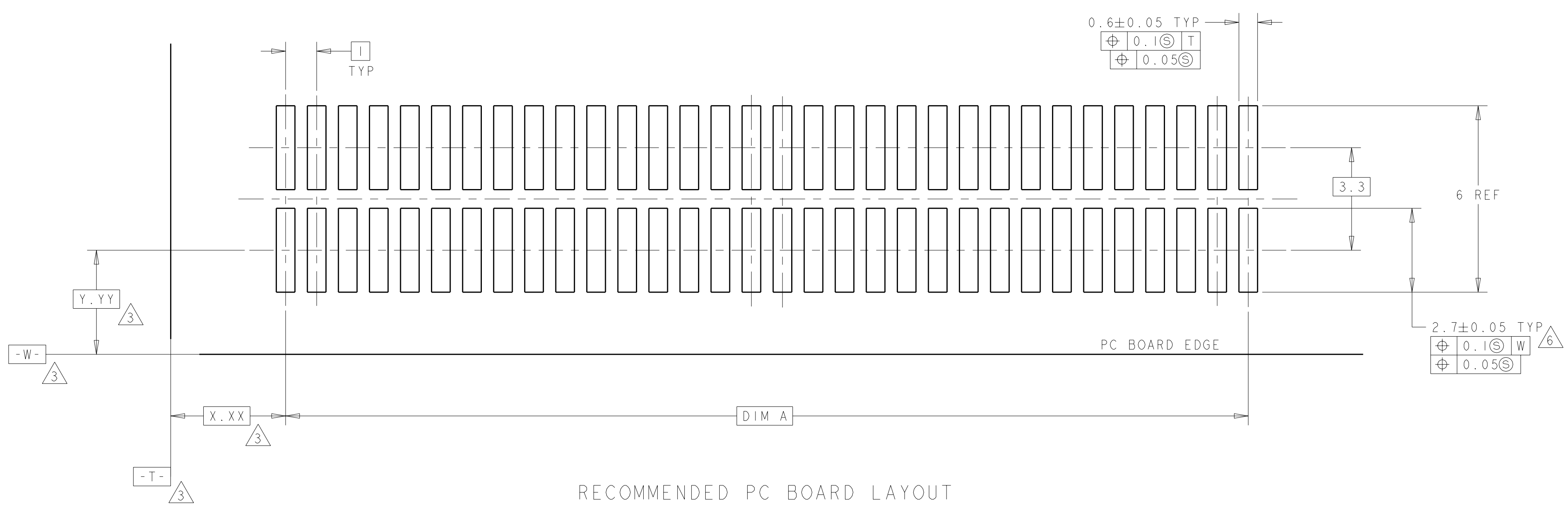


LOC	DIST	REV	DATE	BY	CHK	APPD
AD	39					

REVISED PER		DESCRIPTION	DATE	BY	CHK	APPD
E	EC 0518-0107-99		1MAR00	JG		PD
F	EC 0512-0072-04		11FEB2004	RWS		RHW
G	ECO-08-008615		10JUL2008	DH		DB



VACUUM COVER



RECOMMENDED PC BOARD LAYOUT

- 1 HOUSING MATERIAL: LIQUID CRYSTAL POLYMER COLOR: BLACK. CONTACT MATERIAL: PHOSPHOR BRONZE.
- 2 CONTACT FINISH: NICKEL UNDERPLATE ALL OVER, MATING SURFACES PLATED TO MEET PLI PERFORMANCE REQUIREMENTS OF INDUSTRY SPECIFICATION EIA-700AAAB, SOLDER TAILS PLATED TIN-LEAD.
- 3 DATUM LOCATIONS AND BASIC DIMENSIONS TO BE ESTABLISHED BY THE CUSTOMER. CONSULT AMP ENGINEERING WHEN PLACING MULTIPLE CONNECTORS ON A PC BOARD.
4. PACKAGED IN TAPE ON REEL PER EIA-481.
5. VACUUM COVER DESIGNED FOR 4mm DIA. NOZZLE. VACUUM COVER TO BE REMOVED AFTER SOLDERING. VACUUM COVER REMOVED FROM SOME VIEWS FOR DIMENSIONAL CLARITY.
- 6 SHORTER SOLDER LANDS MAY BE USED PER EIA 700AAAB, HOWEVER 2.7 LENGTH ASSURES OPTIMUM SOLDER FILLET REGARDLESS OF MANUFACTURER OF CONNECTOR.
- 7 REFERRED TO AS DIM N IN EIA 700AAAB SPECIFICATION.
8. 5.5 MIN DIAMETER TARGET AREA FOR VACUUM PICK-UP.
- 9 CONTACT FINISH: 0.00381 MINIMUM MATTE TIN-LEAD (93-7) ON SOLDER AREA, 0.00127 MINIMUM GOLD ON MATING AREA, BOTH OVER 0.00127 MINIMUM NICKEL ON ENTIRE CONTACT.

FINISH	DIM C	DIM B	DIM A	MATING CONNECTOR	STACK HGTS	POS	PART NO
9	45.9	44.58	41	120531-2	14	84	1-120533-2
9	45.9	44.58	41	120529-2	11	84	1-120533-2
9	45.9	44.58	41	120528-2	9	84	1-120533-2
9	35.9	34.58	31	120531-1	14	64	1-120533-1
9	35.9	34.58	31	120529-1	11	64	1-120533-1
9	35.9	34.58	31	120528-1	9	64	1-120533-1
2	45.9	44.58	41	120531-2	14	84	120533-2
2	45.9	44.58	41	120529-2	11	84	120533-2
2	45.9	44.58	41	120528-2	9	84	120533-2
2	35.9	34.58	31	120531-1	14	64	120533-1
2	35.9	34.58	31	120529-1	11	64	120533-1
2	35.9	34.58	31	120528-1	9	64	120533-1

DIMENSIONS: mm TOLERANCES UNLESS OTHERWISE SPECIFIED: 9 PLC ± 7 PLC ±0.03 5 PLC ±0.003 4 PLC ± ANGLES ±0°30'		DWN J. REED 27/19/97 CHK L.VO 27/19/97 NAME PRODUCT SPEC 502-1079 APPLICATION SPEC 114-25045 WEIGHT CUSTOMER DRAWING		AMP Tyco Electronics Harrisburg, PA 17105-3608 PLUG ASSY, W/COVER 1.0mm FH(IEEE) CONNECTOR SIZE CAGE CODE DRAWING NO A11 00779 C=120533 SCALE 17:1 SHEET 1 OF 1 REV G	
--	--	--	--	---	--