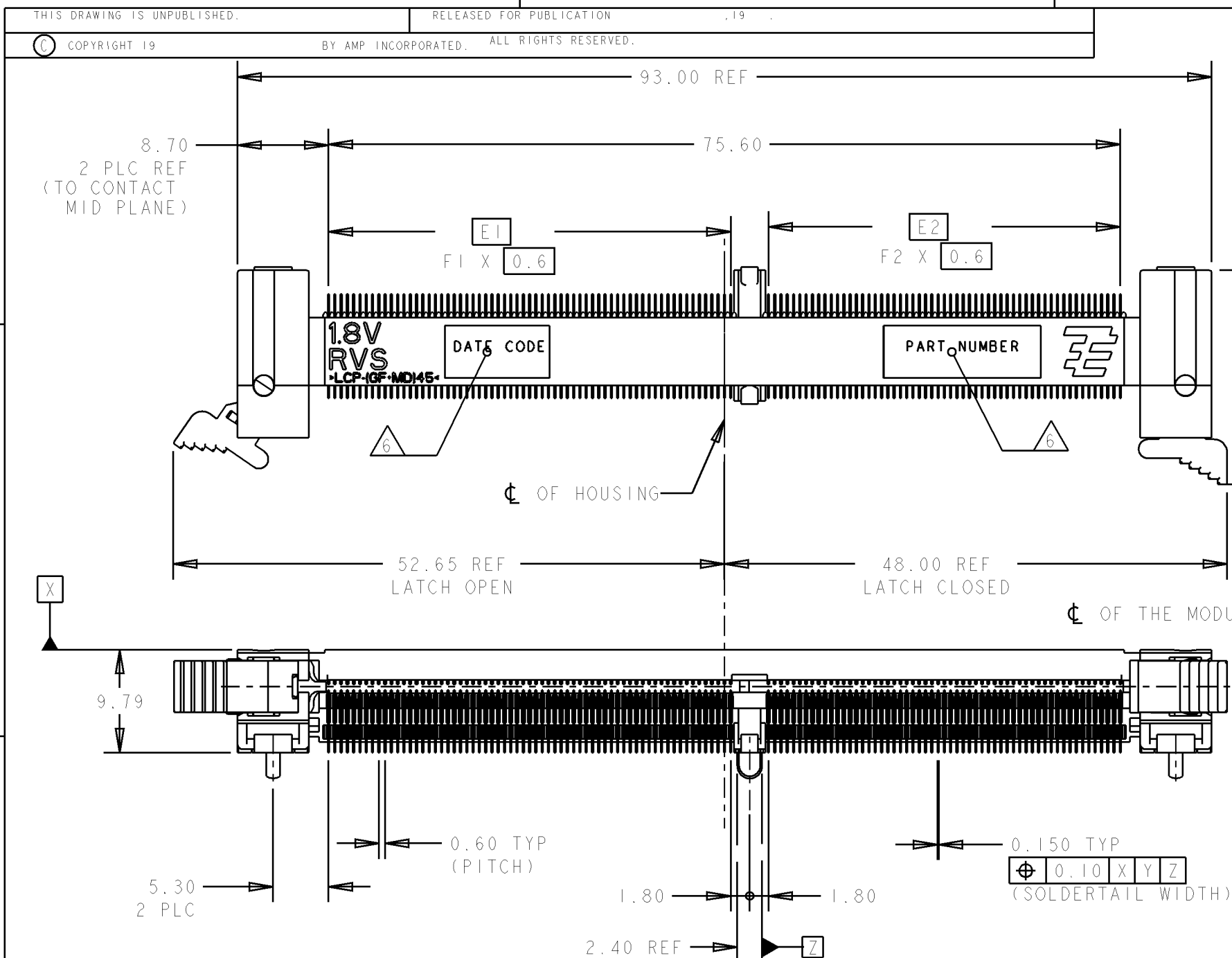


4

3

2

1



LOC		DIST		REVISIONS					
DY		-		P	LTR	DESCRIPTION	DATE	DWN	APVD
				B2		REVISED PER ECR-09-017452	11AUG2009	SYJ	LSF

- 1 MATERIAL: HOUSING: HIGH TEMP LCP, BLACK, UL94V-0  
CONTACTS: COPPER ALLOY  
LATCHES: HIGH TEMP LCP, NATURAL, UL94V-0
- 2 FINISH: ENGAGEMENT AREAS: 0.76µm MIN GOLD OVER  
1.25µm MIN NICKEL  
SOLDERTAILS: 0.02µm MIN GOLD OVER  
1.25µm MIN NICKEL
- 3 FINISH: ENGAGEMENT AREAS: 0.38µm MIN GOLD OVER  
1.25µm MIN NICKEL  
SOLDERTAILS: 0.02µm MIN GOLD OVER  
1.25µm MIN NICKEL
- 4 ACCEPTS 1.0mm THICK MEMORY MODULE, PER JEDEC MO-244, WITH BEVELS (FOR INSERTION LEAD-IN) REQUIRED.
- 5 PRODUCT SHALL BE PACKED IN JEDEC HARD TRAY (BLACK).
- 6 PART NUMBER AND DATE CODE SHALL BE MARKED LEGIBLY AS SHOWN. DATE CODE FORMAT: YYWWD.

64	56	38.4	33.6	45.5	40.7	DDR3 (AB/BB/CB) ; STD	1.5V	3	1- -4
64	56	38.4	33.6	45.5	40.7	DDR2 (AA/BA/CA) ; STD	1.8V	3	1- -3
56	64	33.6	38.4	40.7	45.5	DDR3 (AB/BB/CB) ; RVS	1.5V	3	1- -2
56	64	33.6	38.4	40.7	45.5	DDR2 (AA/BA/CA) ; RVS	1.8V	3	1- -1
64	56	38.4	33.6	45.5	40.7	DDR3 (AB/BB/CB) ; STD	1.5V	2	-4
64	56	38.4	33.6	45.5	40.7	DDR2 (AA/BA/CA) ; STD	1.8V	2	-3
56	64	33.6	38.4	40.7	45.5	DDR3 (AB/BB/CB) ; RVS	1.5V	2	-2
56	64	33.6	38.4	40.7	45.5	DDR2 (AA/BA/CA) ; RVS	1.8V	2	-1
F2	F1	E2	E1	B2	B1	VARIATION ; ORIENTATION MODULE	VOLTAGE MARKING	CONTACT FINISH	P/N

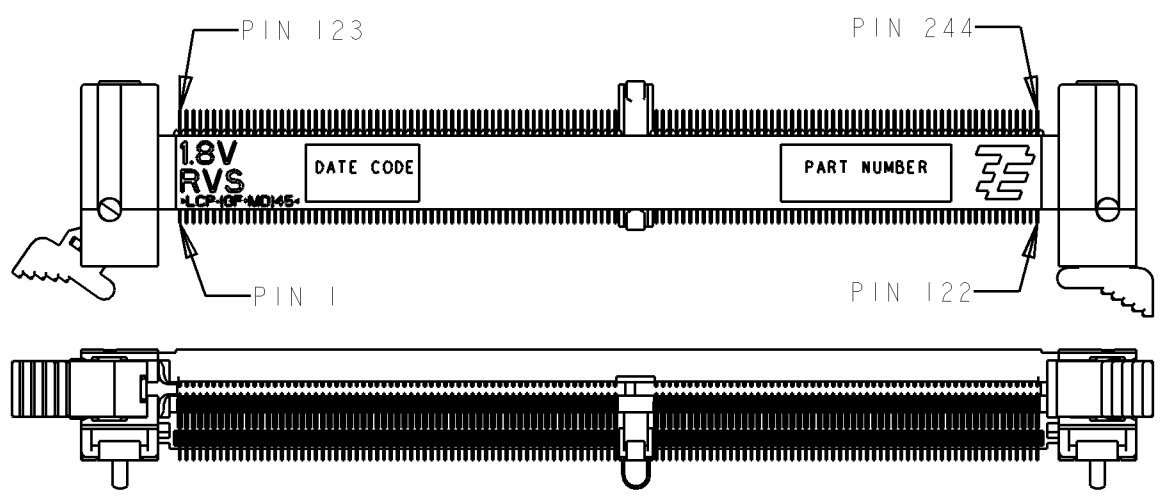
THIS DRAWING IS A CONTROLLED DOCUMENT FOR AMP INCORPORATED. IT IS SUBJECT TO CHANGE AND THE CONTROLLING ENGINEERING ORGANIZATION SHOULD BE CONTACTED FOR THE LATEST REVISION.

DWN	WYLEE	18MAY2007	 Tyco Electronics Corporation Singapore
CHK	YJ SEF		
APVD	SE LEONG		
PRODUCT SPEC	108-51091		
APPLICATION SPEC	114-51011		NAME ASSEMBLY, MINIDIMM, R/A, LF 0.60mm PITCH, 244 CKTS, DDR2/3
WEIGHT	-		SIZE A3
CUSTOMER DRAWING			CAGE CODE 00779
			DRAWING NO C-1735438
			SCALE 1:1
			SHEET 1 OF 5
			REV B2

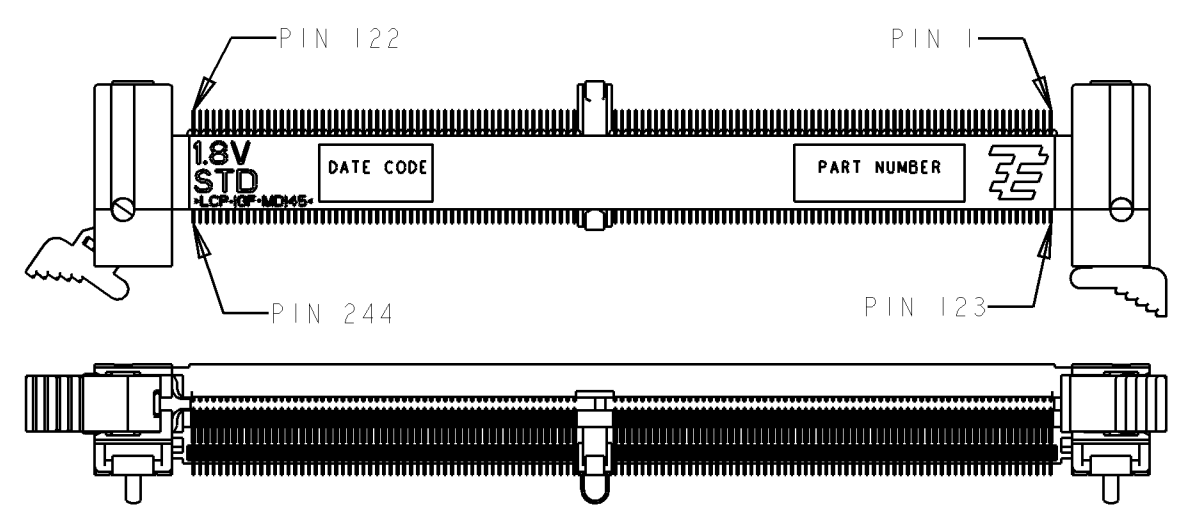
P/N -1 AS SHOWN

THIS DRAWING IS UNPUBLISHED. RELEASED FOR PUBLICATION .19  
 © COPYRIGHT 19 BY AMP INCORPORATED. ALL RIGHTS RESERVED.

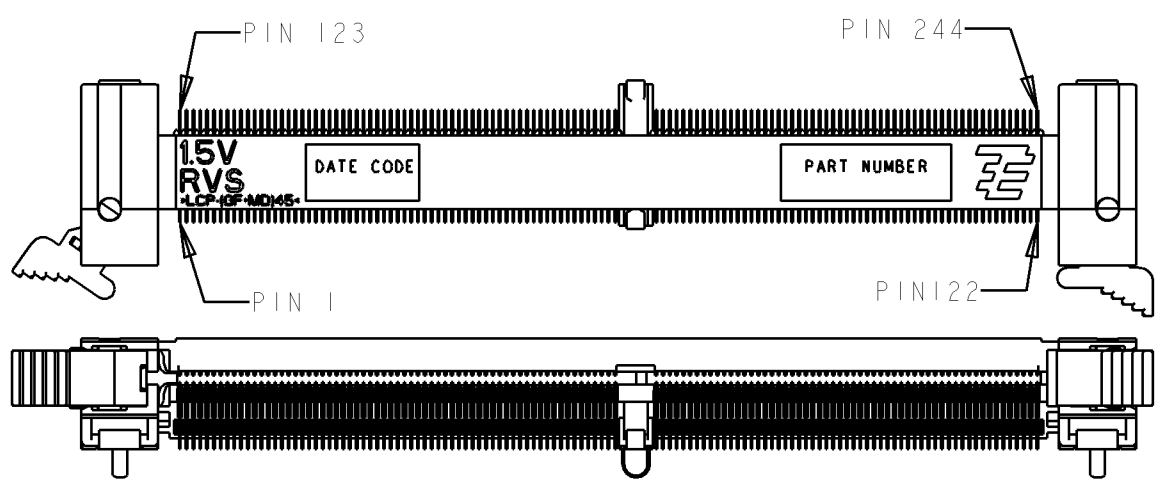
LOC	DIST	REVISIONS					
DY	-	P	LTR	DESCRIPTION	DATE	DWN	APVD
		-		SEE SHEET 1	-	-	-



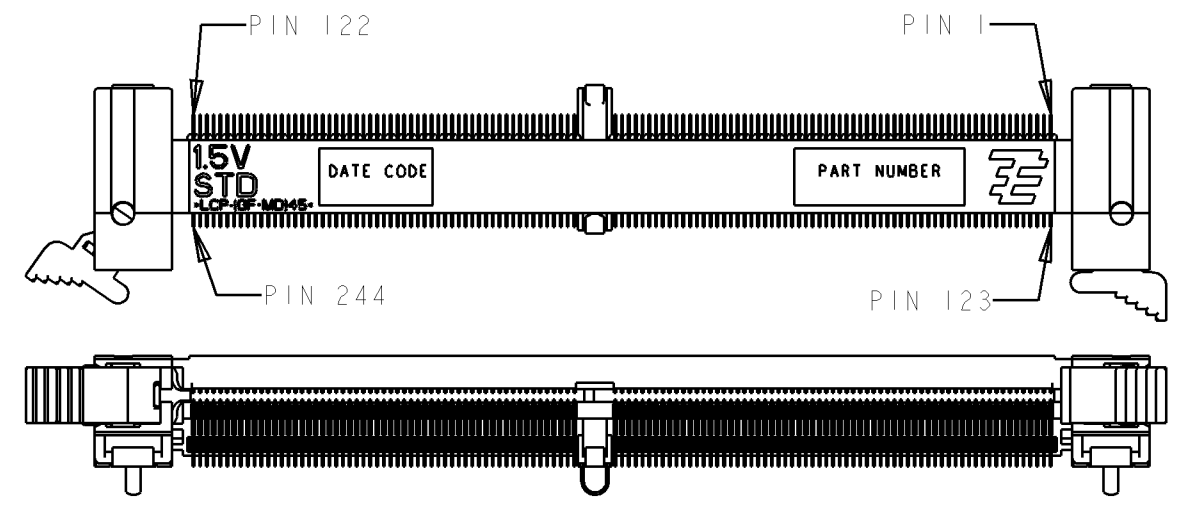
P/N X- -1  
 (1.8V RVS)  
 SCALE 3:2



P/N X- -3  
 (1.8V STD)  
 SCALE 3:2



P/N X- -2  
 (1.5V RVS)  
 SCALE 3:2



P/N X- -4  
 (1.5V STD)  
 SCALE 3:2

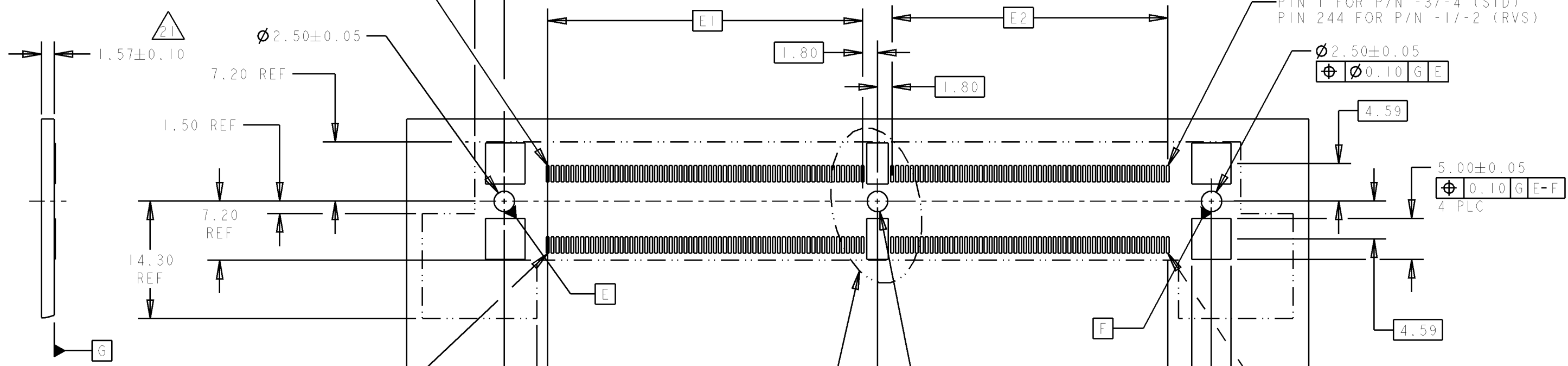
THIS DRAWING IS A CONTROLLED DOCUMENT FOR AMP INCORPORATED. IT IS SUBJECT TO CHANGE AND THE CONTROLLING ENGINEERING ORGANIZATION SHOULD BE CONTACTED FOR THE LATEST REVISION.		DWN WYLEE	18MAY2007	Tyco Electronics Corporation Singapore
DIMENSIONS: mm		CHK YJ SEF	APVD SE LEONG	
		TOLERANCES UNLESS OTHERWISE SPECIFIED: 0 PLC ±- 1 PLC ±0.25 2 PLC ±0.13 3 PLC ±- 4 PLC ±- ANGLES ±°		PRODUCT SPEC 108-51091 APPLICATION SPEC 114-51011
MATERIAL 		FINISH SEE P/N TABLE		WEIGHT - CUSTOMER DRAWING
		SIZE A3	CAGE CODE 00779	DRAWING NO C-1735438
		SCALE 1:1		SHEET 2 OF 5 REV B?

SEE SHEET 1

PIN 122 FOR P/N -3/-4 (STD)  
PIN 123 FOR P/N -1/-2 (RVS)

3.60  
2 PLC

PIN 1 FOR P/N -3/-4 (STD)  
PIN 244 FOR P/N -1/-2 (RVS)



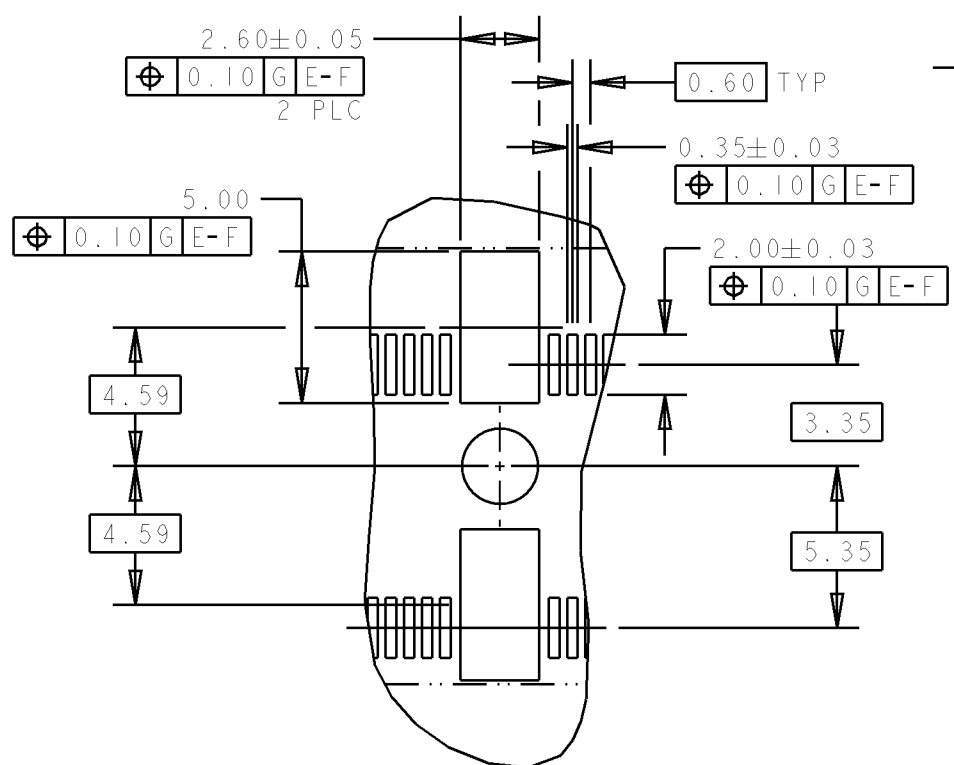
PIN 1 FOR P/N -1/-2 (RVS)  
PIN 244 FOR P/N -3/-4 (STD)

4.00 REF  
2 PLC

SEE DETAIL A

Ø2.50±0.05  
Ø0.10 G E-F

PIN 122 FOR P/N -1/-2 (RVS)  
PIN 123 FOR P/N -3/-4 (STD)



DETAIL A  
SCALE 4:1

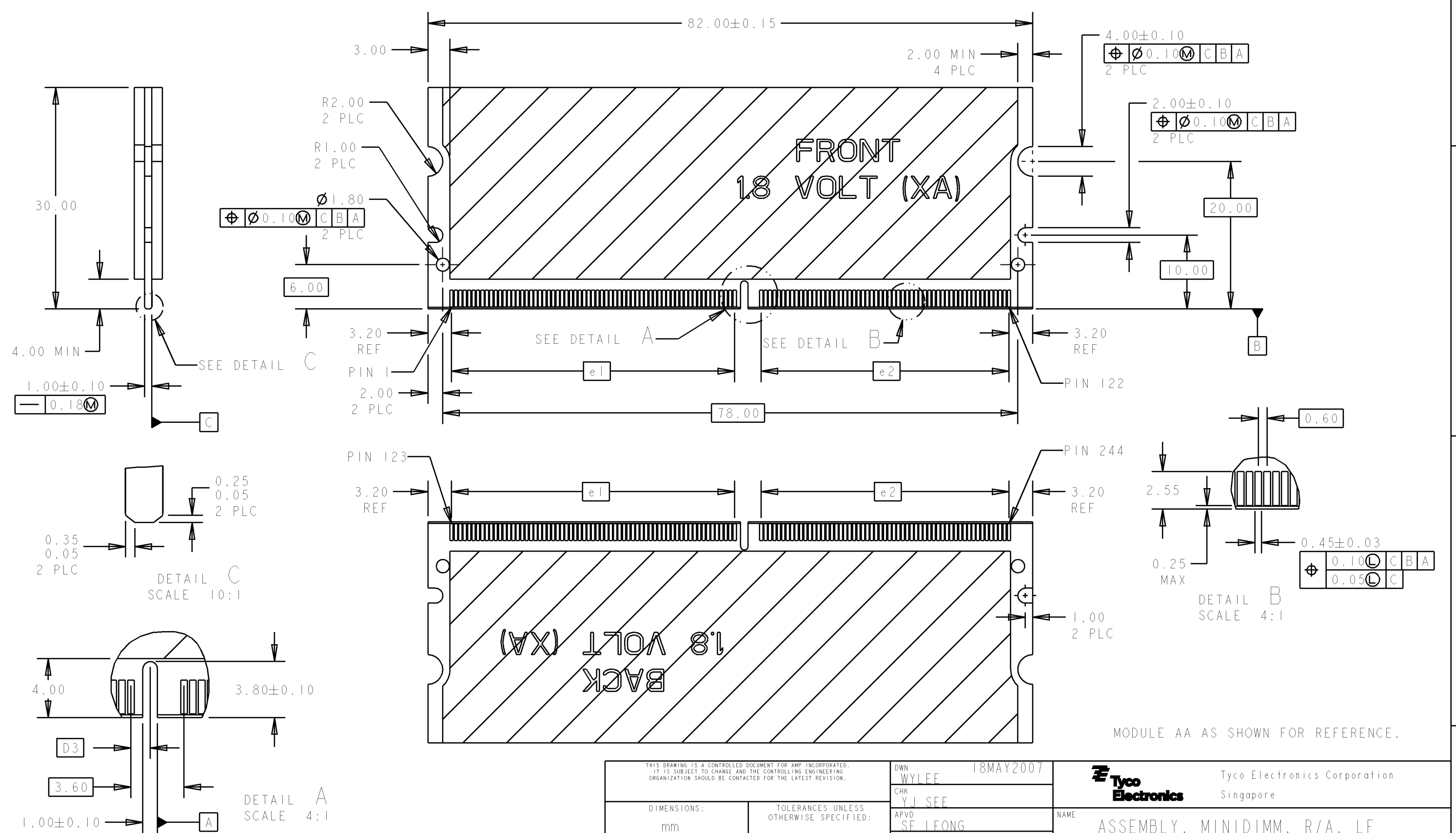
### RECOMMENDED PCB LAYOUT (AS SHOWN FOR X- -1/-2 RVS)

NOTES:

△ PCB THICKNESS IS NOT PART OF THE RECOMMENDED DIMENSIONS FOR THIS PRODUCT. THE DESIGN OF THIS CONNECTOR IS NOT DEPENDENT ON THE PCB THICKNESS.

THIS DRAWING IS A CONTROLLED DOCUMENT FOR AMP INCORPORATED. IT IS SUBJECT TO CHANGE AND THE CONTROLLING ENGINEERING ORGANIZATION SHOULD BE CONTACTED FOR THE LATEST REVISION.		DWN WYLEE 18MAY2007	Tyco Electronics Corporation Singapore	
DIMENSIONS: mm		CHK YJ SEF	NAME ASSEMBLY, MINIDIMM, R/A, LF 0.60mm PITCH, 244 CKTS, DDR2/3	
TOLERANCES UNLESS OTHERWISE SPECIFIED: 0 PLC ±- 1 PLC ±0.25 2 PLC ±0.13 3 PLC ±- 4 PLC ±- ANGLES ±1°		APVD SE LEONG	PRODUCT SPEC 108-51091	
MATERIAL		FINISH	APPLICATION SPEC 114-51011	WEIGHT -
		CUSTOMER DRAWING		SCALE 2:1
		SIZE A3	CAGE CODE 00779	DRAWING NO C-1735438
		SHEET 3 OF 5		REV B2

LOC	DIST	REVISIONS		
DY	-	P	LTR	DESCRIPTION
				DATE
				DWN
				APVD
SEE SHEET 1				



MODULE AA AS SHOWN FOR REFERENCE.

FOR P/N X- -2 AND X- -4.	2.3	33.6	38.4	1.5V	AB/BB/CB
FOR P/N X- -1 AND X- -3.	1.3	33.6	38.4	1.8V	AA/BA/CA
REMARKS	D3	e2	e1	VOLTAGE MARKING	MODULE VARIATION

THIS DRAWING IS A CONTROLLED DOCUMENT FOR AMP INCORPORATED. IT IS SUBJECT TO CHANGE AND THE CONTROLLING ENGINEERING ORGANIZATION SHOULD BE CONTACTED FOR THE LATEST REVISION.		DWN	18MAY2007	Tyco Electronics Corporation Singapore
DIMENSIONS: mm		CHK	WYLEE	
TOLERANCES UNLESS OTHERWISE SPECIFIED:		APVD	YJ SEE	NAME ASSEMBLY, MINIDIMM, R/A, LF 0.60mm PITCH, 244 CKTS, DDR2/3
0 PLC ±.25		PRODUCT SPEC	SF LEONG	
1 PLC ±.13		APPLICATION SPEC	108-51091	SIZE
2 PLC ±		WEIGHT	114-51011	CAGE CODE
3 PLC ±		CUSTOMER DRAWING		DRAWING NO
4 PLC ±				A3 00779 C-1735438
ANGLES ±°				SCALE
FINISH				1:1
				SHEET 4 OF 5
				REV B2

4

3

2

1

THIS DRAWING IS UNPUBLISHED.

RELEASED FOR PUBLICATION

.19

© COPYRIGHT 19

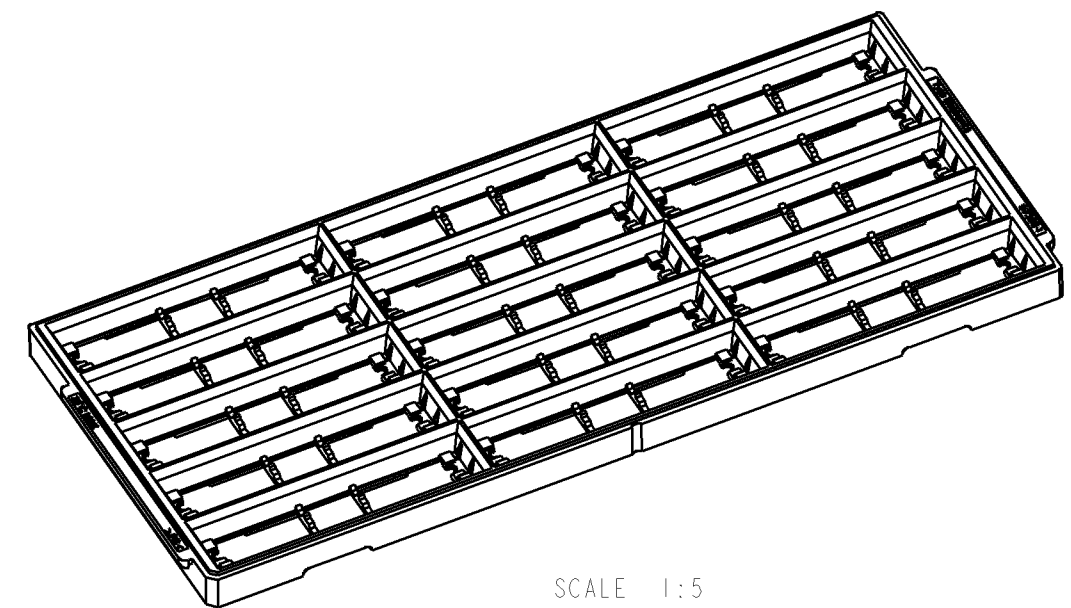
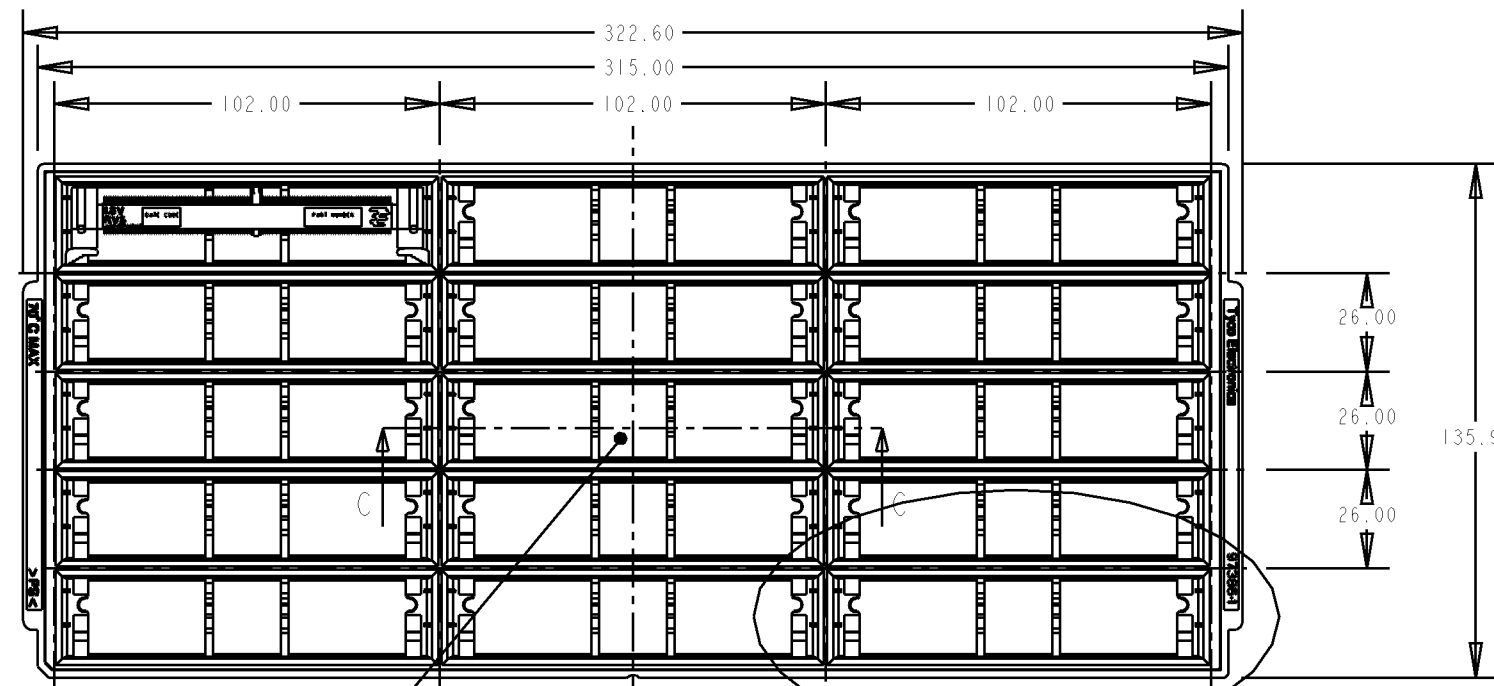
BY AMP INCORPORATED. ALL RIGHTS RESERVED.

LOC  
DY

DIST  
-

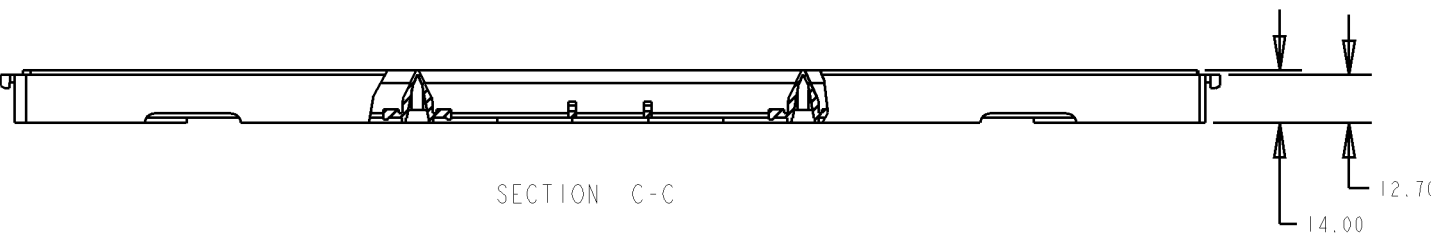
REVISIONS

P	LTR	DESCRIPTION	DATE	DWN	APVD
-	-	SEE SHEET 1	-	-	-

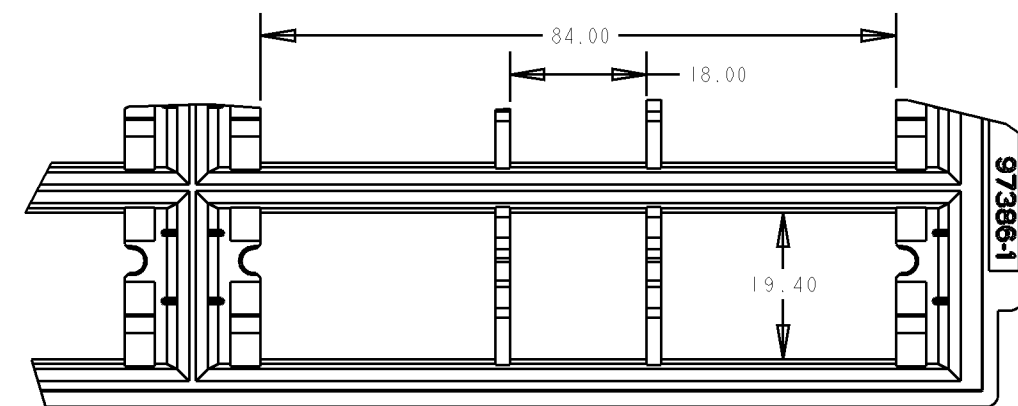


Base of centre pocket is solid.

SEE DETAIL A



SECTION C-C



DETAIL A SCALE 2:1

THIS DRAWING IS A CONTROLLED DOCUMENT FOR AMP INCORPORATED. IT IS SUBJECT TO CHANGE AND THE CONTROLLING ENGINEERING ORGANIZATION SHOULD BE CONTACTED FOR THE LATEST REVISION.		DWN WYLEE 18MAY2007	Tyco Electronics Corporation Singapore	
DIMENSIONS: mm		CHK YJ SEF	NAME ASSEMBLY, MINIDIMM, R/A, LF 0.60mm PITCH, 244 CKTS, DDR2/3	
TOLERANCES UNLESS OTHERWISE SPECIFIED: 0 PLC ±- 1 PLC ±0.30 2 PLC ±0.15 3 PLC ±- 4 PLC ±- ANGLES ±°		APVD SE LEONG	DRAWING NO C-1735438	
MATERIAL		PRODUCT SPEC 108-51091	SIZE A3	CAGE CODE 00779
FINISH		APPLICATION SPEC 114-51011	SCALE 1:2	
		WEIGHT -	SHEET 5 OF 5	
		CUSTOMER DRAWING	REV B2	