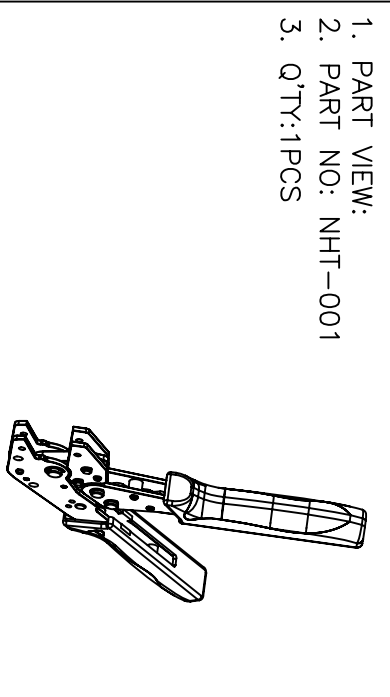
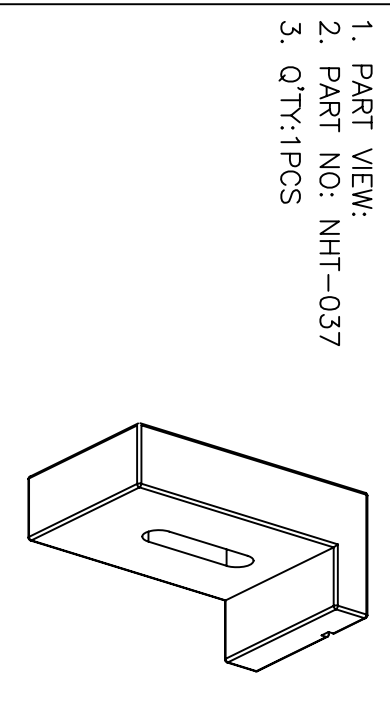


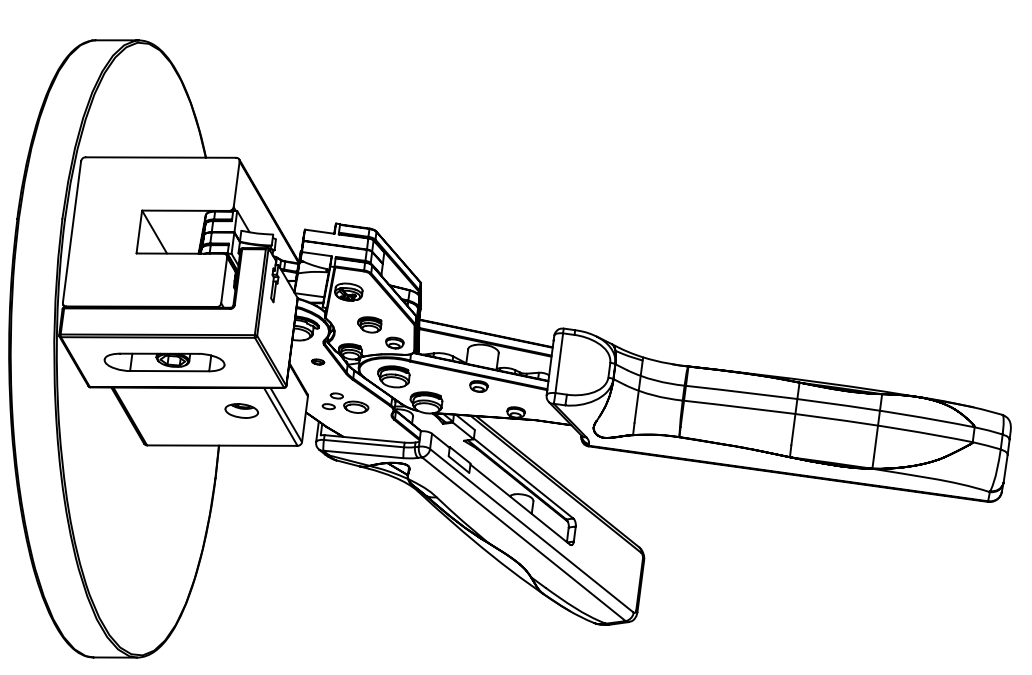
- 1. PART VIEW:
NHT-001
- 2. PART NO: NHT-001
- 3. Q'TY:1PCS



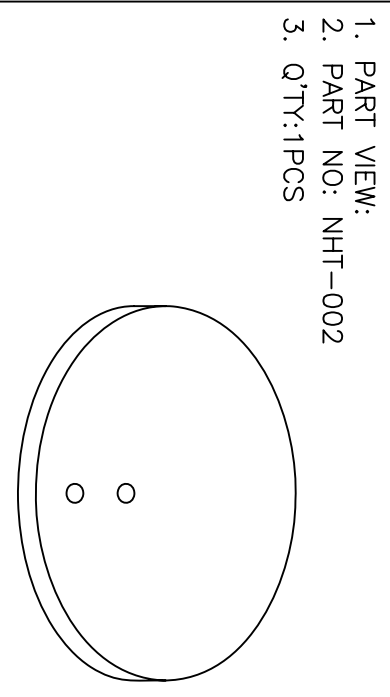
- 1. PART VIEW:
NHT-037
- 2. PART NO: NHT-037
- 3. Q'TY:1PCS



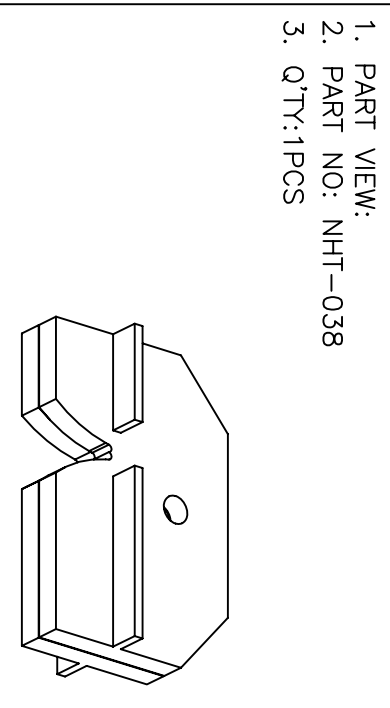
MAIN VIEW



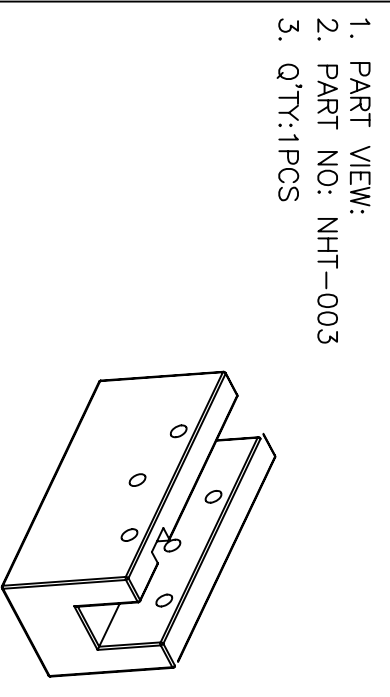
- 1. PART VIEW:
NHT-002
- 2. PART NO: NHT-002
- 3. Q'TY:1PCS



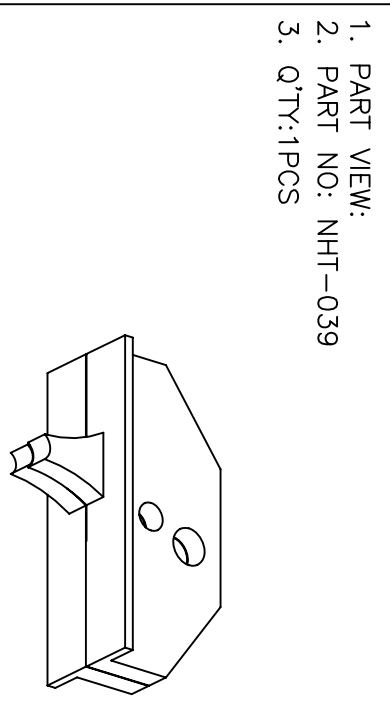
- 1. PART VIEW:
NHT-038
- 2. PART NO: NHT-038
- 3. Q'TY:1PCS



- 1. PART VIEW:
NHT-003
- 2. PART NO: NHT-003
- 3. Q'TY:1PCS




- 1. PART VIEW:
NHT-039
- 2. PART NO: NHT-039
- 3. Q'TY:1PCS



F			
E			
D			
C			
B			
A	08-AUG-2007		Tom
REV	DATE	FILE	BY

DRAWN: Tom
 CHECKED: Ruby
 APPROVAL: mike wu

GENERAL TOLERANCE:
 .X = ±0.2
 .XX = ±0.15
 UNIT: MM
 SCALE: / /
 SHEET: 1 / 1
 PROJECTION:


繼德工業股份有限公司
Neutron Industrial Co., Ltd.

DESCRIPTION:
 1250TM Crimp Terminal Tool Anatomy

PART NO: NHT-1250TM-2830

SIZE: **A4**

D

C

B

A