

## FEATURES AND SPECIFICATIONS

### Features and Benefits

- Sizes 2 to 15 and 20 circuits
- Positive lock latch provides secure mating retention
- Housing lance ensures good terminal retention
- Compact low-profile design for space savings
- Polarizing end walls prevent mismatching
- Five color choices for circuit identification

### Electrical

Voltage: 125V  
 Current: 2.0A max.  
 Contact Resistance: 20mΩ max.  
 Dielectric Withstanding Voltage: 500V  
 Insulation Resistance: 1000 MΩ min.

### Mechanical

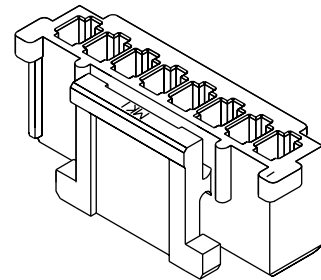
Contact Insertion Force: 9.8N (2.2 lb) max.  
 Contact Retention to Housing: 14.7N (3.3 lb) min.  
 Mating Force: 5 circuits—58.8N (13.2 lb)  
 Unmating Force: 5 circuits—3.3N (0.7 lb)  
 Durability: 30 cycles

### Physical

Housing: Polyester, UL 94V-0  
 Operating Temperature: -40 to +105°C

# molex® 2.00mm (.079") Pitch Sherlock™ Wire-to-Board Housing

## 35507

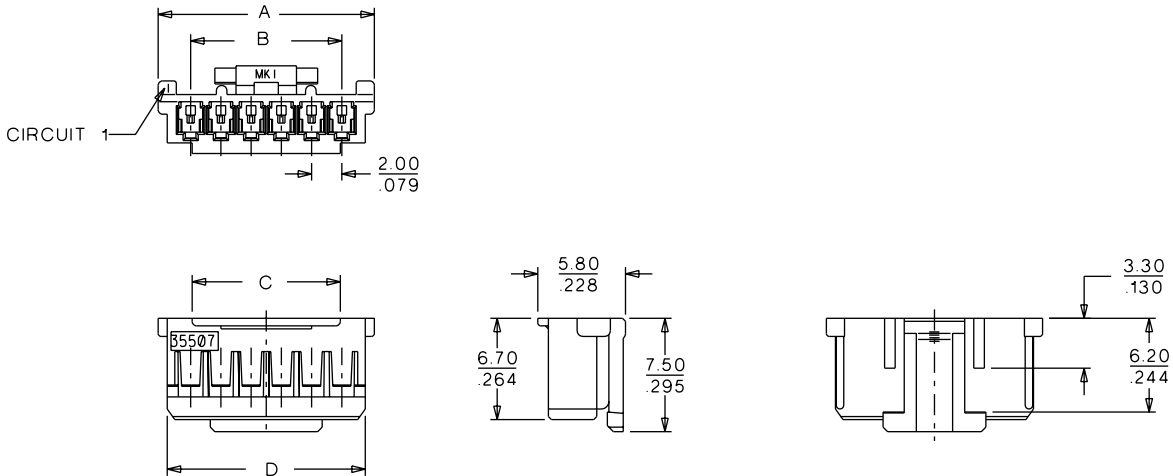


B  
 2.00 to 2.50mm (.079 to .098") Pitch

### Reference Information

Product Specification: PS-35507  
 Packaging: Bag  
 UL File No.: E29179  
 CSA File No.: LR19980  
 Mates With: [35362](#) and [35363](#) headers  
 Use With: [50212](#) terminal  
 Designed In: Millimeters

## CATALOG DRAWING (FOR REFERENCE ONLY)



## ORDERING INFORMATION AND DIMENSIONS

Circuits	Order No.	Dimension			
		A	B	C	D
2	35507-0200	7.20 (.283)	2.00 (.079)	1.70 (.067)	5.10 (.201)
3	35507-0300	9.20 (.362)	4.00 (.157)	2.50 (.098)	7.10 (.280)
4	35507-0400	10.30 (.406)	6.00 (.236)	5.80 (.228)	9.10 (.358)
5	35507-0500	12.30 (.484)	8.00 (.315)	7.80 (.307)	11.10 (.437)
6	35507-0600	14.30 (.563)	10.00 (.394)	9.80 (.386)	13.10 (.516)
7	35507-0700	16.30 (.642)	12.00 (.472)	11.80 (.465)	15.10 (.594)
8	35507-0800	18.30 (.720)	14.00 (.551)	13.80 (.543)	17.10 (.673)
9	35507-0900	20.30 (.799)	16.00 (.630)	15.80 (.622)	19.10 (.752)
10	35507-1000	22.30 (.878)	18.00 (.709)	17.80 (.701)	21.10 (.831)
11	35507-1100	24.30 (.957)	20.00 (.787)	19.80 (.780)	23.10 (.909)
12	35507-1200	26.30 (1.035)	22.00 (.866)	21.80 (.858)	25.10 (.988)
13	35507-1300	28.30 (1.114)	24.00 (.945)	23.80 (.937)	27.10 (1.067)
14	35507-1400	30.30 (1.193)	26.00 (1.024)	25.80 (1.016)	29.10 (1.146)
15	35507-1500	32.30 (1.272)	28.00 (1.102)	27.80 (1.094)	31.10 (1.232)
20	35507-2000	42.30 (1.665)	38.00 (1.496)	37.80 (1.488)	41.10 (1.618)