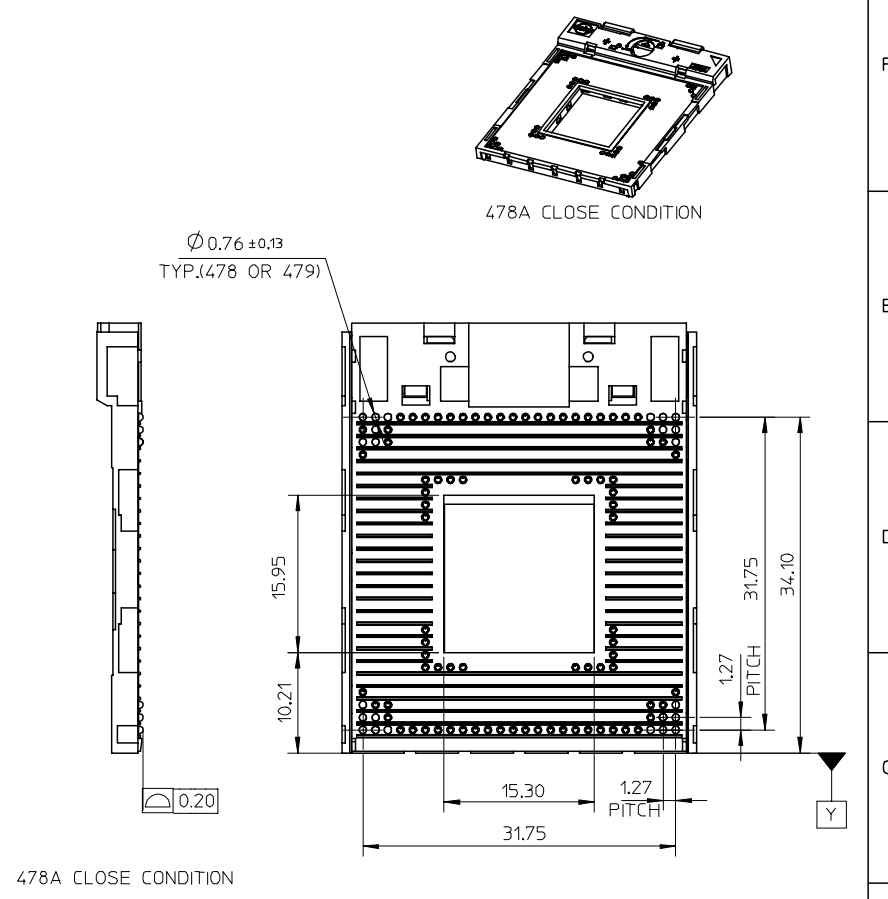
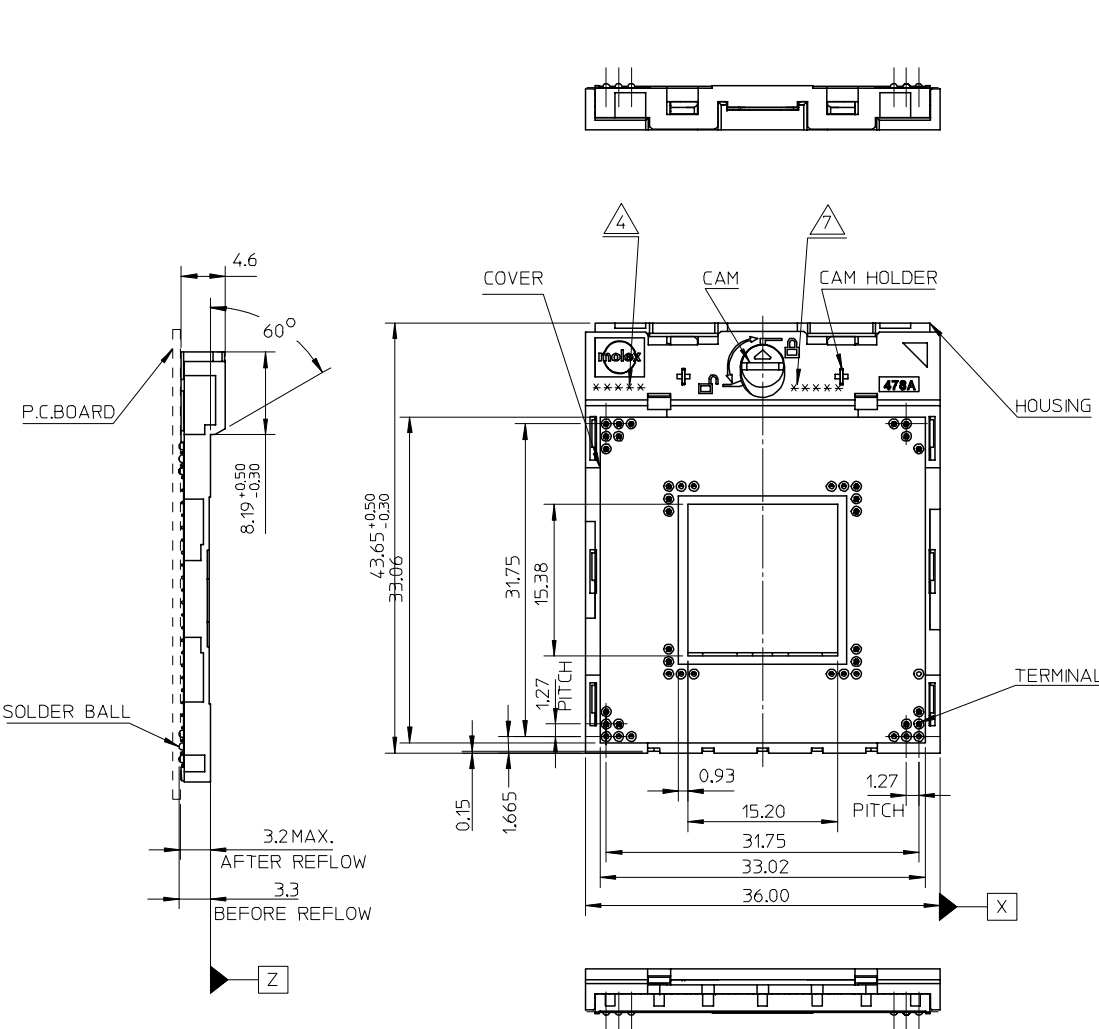


10 9 8 7 6 5 4 3 2 1

F
E
D
C
B
A



RELEASE
EC NO: SH2007-0009
DRWN: LLIU
CHKD:
APPR: INCHEM

REV	DESCRIPTION

QUALITY SYMBOLS	▽=0	∇=0
GENERAL TOLERANCES (UNLESS SPECIFIED)	mm	INCH
4 PLACES	± ---	± ---
3 PLACES	± ---	± ---
2 PLACES	± 0.25	± ---
1 PLACE	± 0.25	± ---
ANGULAR ± 2 °		
DRAFT WHERE APPLICABLE MUST REMAIN WITHIN DIMENSIONS		

DRAWN BY		DATE	
CHECKED BY		DATE	
APPROVED BY		DATE	
MATERIAL NO.		DOCUMENT NO.	

SCALE	DESIGN UNITS	THIRD ANGLE PROJECTION	
2:1	METRIC		
M478 EXPANSION TYPE SALE DRAWING			
MOLEX INCORPORATED		SHEET NO. 1 OF 4	
SEE SHEET 2 SD-47430-001			
THIS DRAWING CONTAINS INFORMATION THAT IS PROPRIETARY TO MOLEX INCORPORATED AND SHOULD NOT BE USED WITHOUT WRITTEN PERMISSION			

9 8 7 6 5 4 3 2 1

NOTES:

1. MATERIAL

HOUSING: LIQUID CRYSTAL POLYMER(LCP),
 UL94V-0, COLOR BLACK
 COVER: LIQUID CRYSTAL POLYMER(LCP),
 UL94V-0, COLOR: SEE NOTE 8
 CONTACT: COPPER ALLOY,
 SOLDER BALL: Sn/Pb(63:37) ϕ 0.76 FOR LEADED
 Sn-Ag-Cu(96.5:3:0.5) ϕ 0.76 FOR LEAD-FREE
 CAM: STAINLESS STEEL
 CAM HOLDER: STAINLESS STEEL

2. PLATING

CONTACT AREA: GOLD THICKNESS SEE NOTES 8
 UNDER PLATING: NICKEL THICKNESS 1.5 MICROMETER MIN.

3. SOLDER BALL COPLANARITY: 0.2MAX.

4. DATE CODE:



5. PRODUCT SPECIFICATION REFER TO

PS-51248-005 FOR LEADED
 PS-51248-020 FOR LEAD-FREE

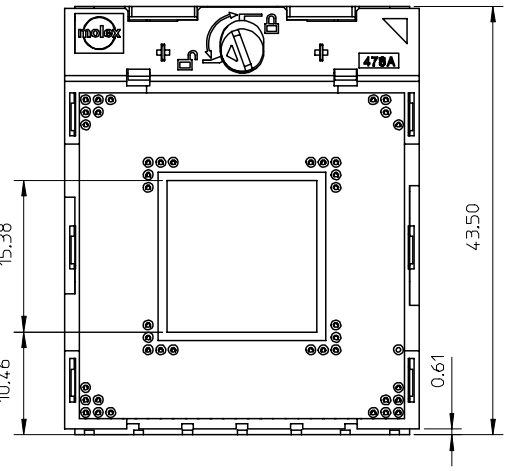
6. PACKAGE DRAWING REFER TO PK-500161-003 FOR HARDTRAY PACKAGE,
 PK-500161-002 FOR TAPE REEL PACKAGE,

7. DATE CODE

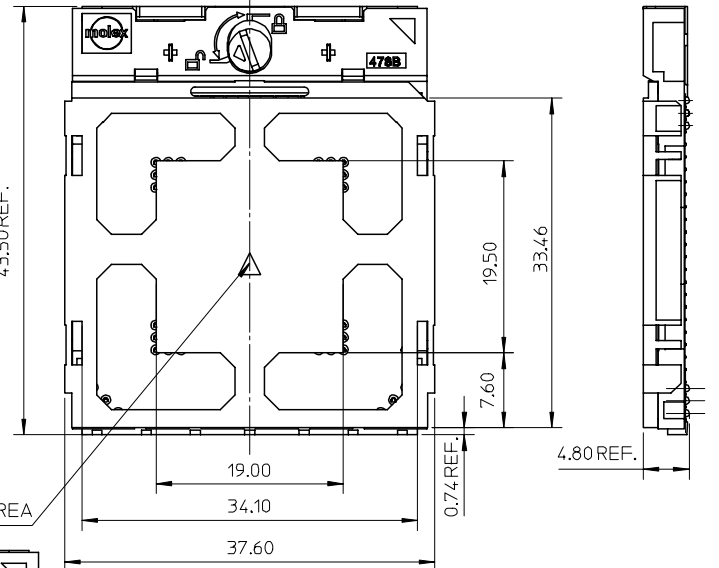
* * * * * NONE: LEAD SOCKET, LF: LEAD-FREE SOCKET

8. PART NUMBER LIST

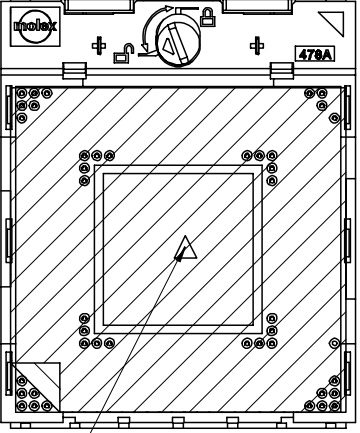
47430- * * * * *
 * TYPE: 0: LEADED, 5: LEAD-FREE
 * PLATING OF CONTACT AREA: 1: 10 MICROINCH GOLD
 3: 30 MICROINCH GOLD
 * PACKAGE: 1: P&P COVER+HARDTRAY, 2: MYLAR+HARDTRAY
 3: P&P COVER+TAPE REEL, 4: MYLAR+TAPE REEL
 * VERSION TYPE: 9: 479(WHITE), 8: 478A(YELLOW), 7: 478B(WHITE)
 6: 478B(PURPLE), 4: 478C(BLUE)



478A OPEN CONDITION



AT PACKAGED (WITH P&P COVER)



VACUUM AREA AT PACKAGED (WITH MYLAR)

NEW RELEASE EC NO: SH2007-0009 DRWN: LILIU 2006/08/31 CHKD: JZHANG 2006/09/01 APPR: JNCHEN 2006/09/08	QUALITY SYMBOLS ▽=0 ▽C=0	GENERAL TOLERANCES (UNLESS SPECIFIED)		DIMENSION STYLE	SCALE	DESIGN UNITS	THIRD ANGLE PROJECTION	
				MM ONLY	2:1	METRIC		
				DRAWN BY	DATE	TITLE		
		4 PLACES	± ---	± ---	LXWANG	2006/04/05	M478 EXPANSION TYPE SALE DRAWING	
3 PLACES	± ---	± ---	CHECKED BY	DATE				
2 PLACES	± 0.25	± ---	JZHANG	2006/04/05				
1 PLACE	± 0.25	± ---	APPROVED BY	DATE				
		ANGULAR	± 2 °	JENNY CHEN	2006/04/05	MOLEX INCORPORATED		
		DRAFT WHERE APPLICABLE MUST REMAIN WITHIN DIMENSIONS		MATERIAL NO.	DOCUMENT NO.	SHEET NO.		
				SEE NOTES	SD-47430-001	2 OF 4		
		THIS DRAWING CONTAINS INFORMATION THAT IS PROPRIETARY TO MOLEX INCORPORATED AND SHOULD NOT BE USED WITHOUT WRITTEN PERMISSION						

10 9 8 7 6 5 4 3 2 1

F

F

E

E

D

D

C

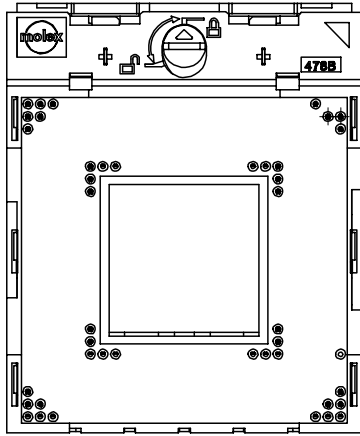
C

B

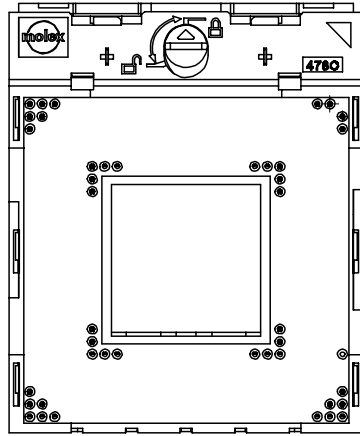
B

A

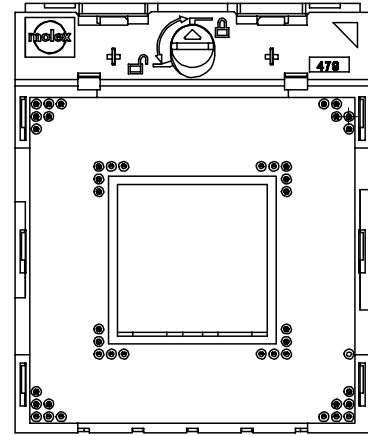
A



M478B CLOSE CONDITION



M478C CLOSE CONDITION



M479 CLOSE CONDITION

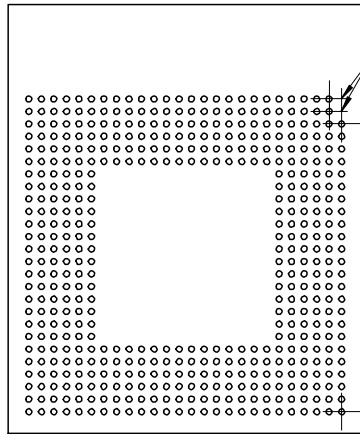
NEW RELEASE EC NO: SH2007-0009 DRWN: JLIU CHKD: APPR: JNCHEN	2006/08/31 2006/09/01 2006/09/08	DESCRIPTION REV	QUALITY SYMBOLS ▽=0 ▽C=0	GENERAL TOLERANCES (UNLESS SPECIFIED)		DIMENSION STYLE MM ONLY		SCALE 2:1	DESIGN UNITS METRIC	THIRD ANGLE PROJECTION	
				4 PLACES ± --- ± --- 3 PLACES ± --- ± --- 2 PLACES ± 0.25 ± --- 1 PLACE ± 0.25 ± --- ANGULAR ± 2 °	mm INCH	DRAWN BY LXWANG	DATE 2006/04/05	TITLE M478 EXPANSION TYPE SALE DRAWING			
				DRAFT WHERE APPLICABLE MUST REMAIN WITHIN DIMENSIONS	CHECKED BY JZHANG	DATE 2006/04/05	MOLEX INCORPORATED				
				SEE SHEET 2	APPROVED BY JENNY CHEN	DATE 2006/04/05	MATERIAL NO. SD-47430-001	SHEET NO. 3 OF 4			

9 8 7 6 5 4 3 2 1

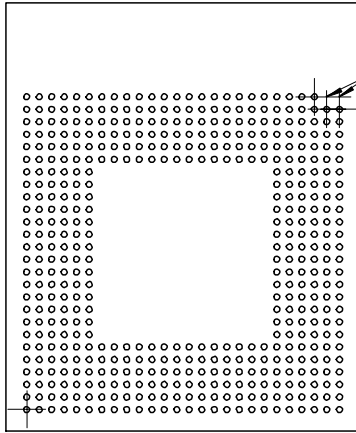
10 9 8 7 6 5 4 3 2 1

F
E
D
C
B
A

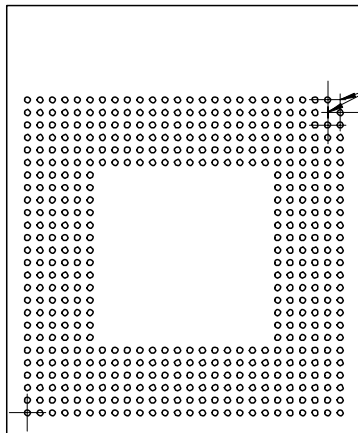
F
E
D
C
B
A



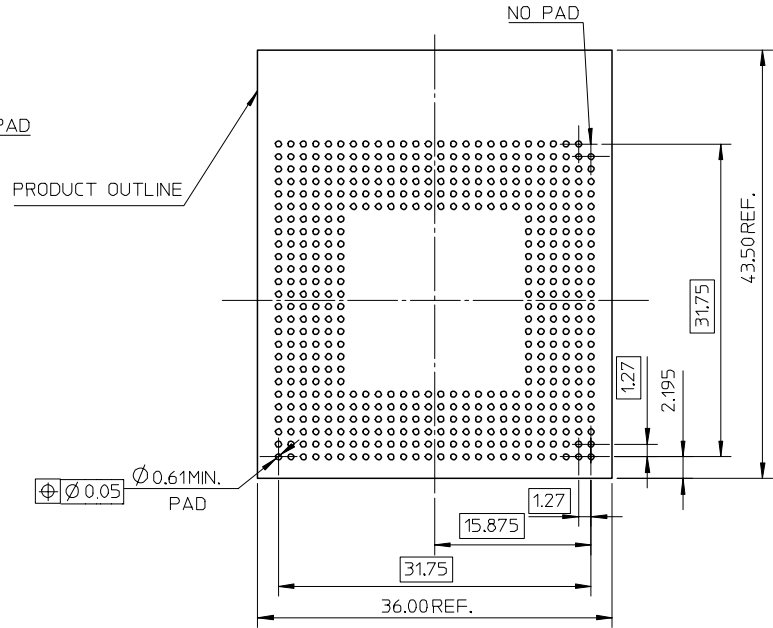
478A TYPE



478B TYPE



478C TYPE



79 TYPE

RECOMMENDED P.C.BOARD LAYOUT

NEW RELEASE EC NO: SH2007-0009 DRWN: LLIU CHKD: APPR: JNCHEN 2006/08/31 2006/09/01 2006/09/08	DESCRIPTION A	QUALITY SYMBOLS ▽=0 ▽=0	GENERAL TOLERANCES (UNLESS SPECIFIED)		DIMENSION STYLE MM ONLY		SCALE 2:1	DESIGN UNITS METRIC	THIRD ANGLE PROJECTION			
			4 PLACES ± --- ± --- 3 PLACES ± --- ± --- 2 PLACES ± 0.25 ± --- 1 PLACE ± 0.25 ± --- ANGULAR ± 2 °	mm INCH	DRAWN BY LXWANG CHECKED BY JZHANG APPROVED BY JENNY CHEN MATERIAL NO.	DATE 2006/04/05 DATE 2006/04/05 DATE 2006/04/05	TITLE M478 EXPANSION TYPE SALE DRAWING					
		DRAFT WHERE APPLICABLE MUST REMAIN WITHIN DIMENSIONS			SEE SHEET 2		MOLEX INCORPORATED			DOCUMENT NO. SD-47430-001	SHEET NO. 4 OF 4	
		THIS DRAWING CONTAINS INFORMATION THAT IS PROPRIETARY TO MOLEX INCORPORATED AND SHOULD NOT BE USED WITHOUT WRITTEN PERMISSION										

9 8 7 6 5 4 3 2 1