

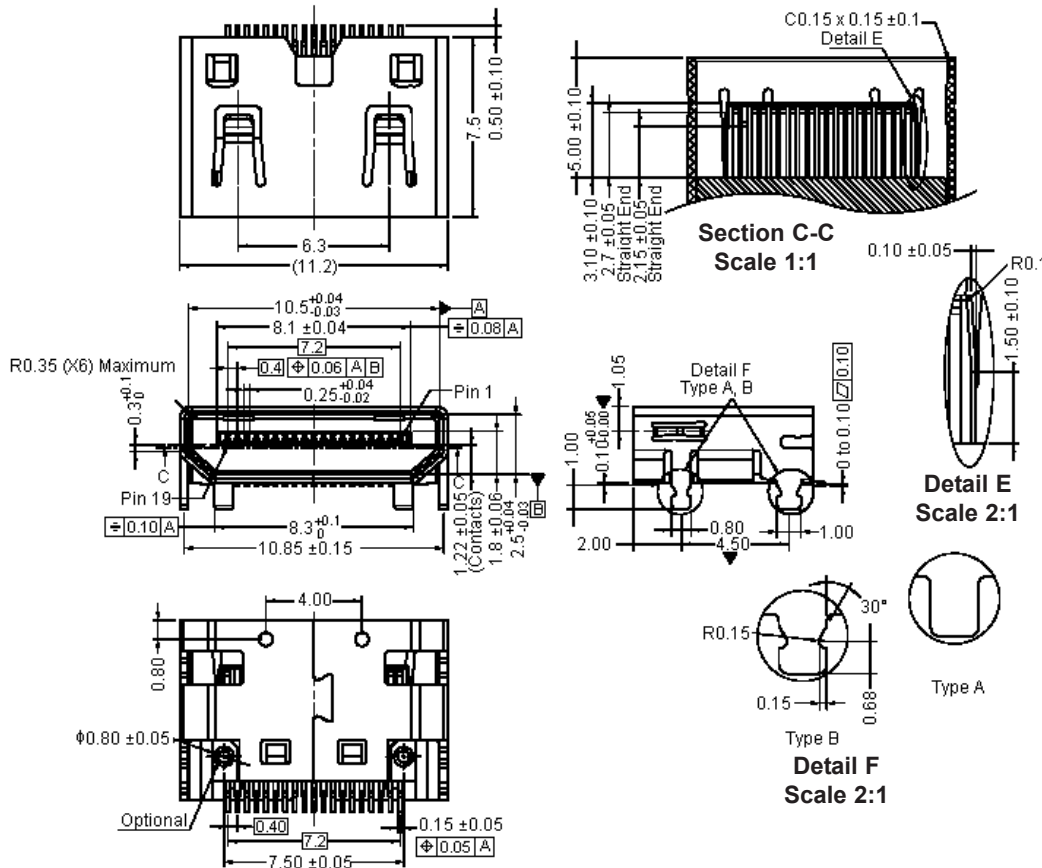


PART NO.

60U019S-34 Series

REVISIONS

ECN #	REV	DESCRIPTION	DRAWN	DATE	CHECKD	DATE	APPRVD	DATE
-	A	RELEASED	Kiran	09/05/09	Suresh	09/05/09	Farnell	25/05/09



Specifications:

**Mechanical:**

Maximum insertion force : 4.5kg.  
 Maximum withdraw force : 0.3kg.

**Electrical:**

Minimum contact current rating : 0.5A.  
 Maximum operating current : 0.5A.  
 Voltage rating : 40V ac (rms).  
 Dielectric withstanding voltage : 500V ac between adjacent terminal (unmate)  
 300V ac between adjacent terminal (mate).  
 Minimum insulation resistance : 100MΩ (unmate)  
 10MΩ (mate).  
 Maximum contact resistance : 30 milliohms.

**Environmental:**

Operating temperature : -25°C to +85°C.

Dimensions : Millimetres

This data sheet and its contents (the "Information") belong to the Premier Farnell Group (the "Group") or are licensed to it. No licence is granted for the use of it other than for information purposes in connection with the products to which it relates. No licence of any intellectual property rights is granted. The Information is subject to change without notice and replaces all data sheets previously supplied. The Information supplied is believed to be accurate but the Group assumes no responsibility for its accuracy or completeness, any error in or omission from it or for any use made of it. Users of this data sheet should check for themselves the Information and the suitability of the products for their purpose and not make any assumptions based on information included or omitted. Liability for loss or damage resulting from any reliance on the Information or use of it (including liability resulting from negligence or where the Group was aware of the possibility of such loss or damage arising) is excluded. This will not operate to limit or restrict the Group's liability for death or personal injury resulting from its negligence. SPC MULTICOMP is the registered trademark of the Group. © Premier Farnell plc 2009.

**TOLERANCES:**

**UNLESS OTHERWISE SPECIFIED, DIMENSIONS ARE FOR REFERENCE PURPOSES ONLY.**

<b>DRAWN BY:</b>	<b>DATE:</b>
Kiran	09/05/09
<b>CHECKED BY:</b>	<b>DATE:</b>
Suresh	09/05/09
<b>APPROVED BY:</b>	<b>DATE:</b>
Farnell	25/05/09

<b>DRAWING TITLE:</b>			
Mini HDMI Socket - Type C, SMT			
<b>SIZE</b>	<b>DWG NO.</b>	<b>ELECTRONIC FILE</b>	<b>REV</b>
A	M10002211	1708474-TDS_DWG	A
<b>SCALE: NTS</b>		<b>U.O.M.: mm</b>	<b>SHEET: 1 OF 3</b>

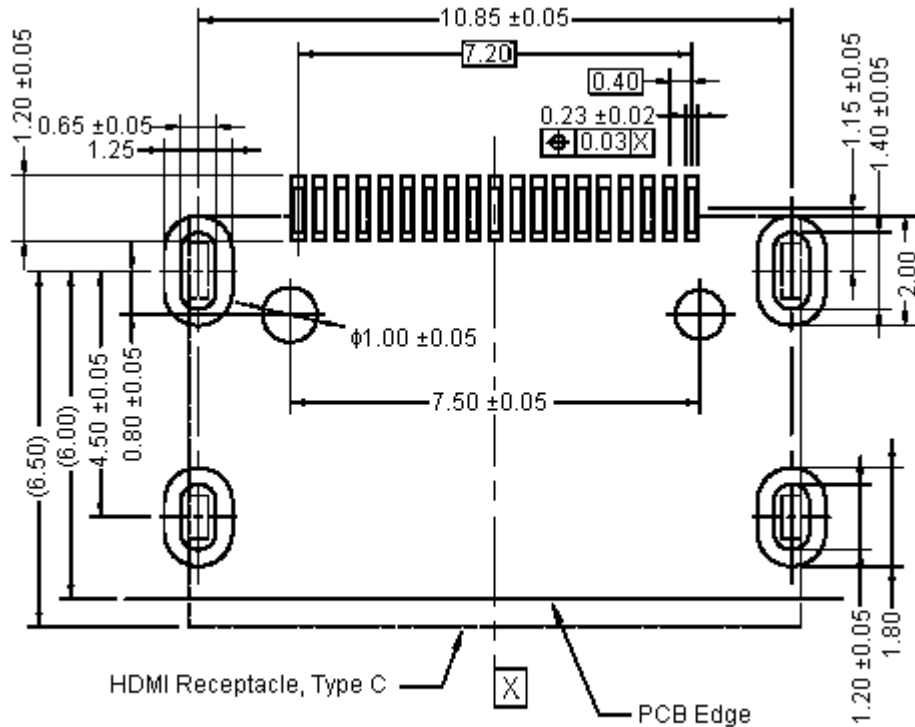


PART NO.

60U019S-34 Series

REVISIONS

ECN #	REV	DESCRIPTION	DRAWN	DATE	CHECKD	DATE	APPRVD	DATE
-	A	RELEASED	Kiran	09/05/09	Suresh	09/05/09	Farnell	25/05/09



Recommended PCB Layout

Dimensions : Millimetres

Part Number Table

Description	Part Number
Socket, Mini HDMI, DIP, A	60U019S-340N-B1-FEC
Socket, Mini HDMI, DIP, B	60U019S-341N-B1-FEC

This data sheet and its contents (the "Information") belong to the Premier Farnell Group (the "Group") or are licensed to it. No licence is granted for the use of it other than for information purposes in connection with the products to which it relates. No licence of any intellectual property rights is granted. The Information is subject to change without notice and replaces all data sheets previously supplied. The Information supplied is believed to be accurate but the Group assumes no responsibility for its accuracy or completeness, any error in or omission from it or for any use made of it. Users of this data sheet should check for themselves the Information and the suitability of the products for their purpose and not make any assumptions based on information included or omitted. Liability for loss or damage resulting from any reliance on the Information or use of it (including liability resulting from negligence or where the Group was aware of the possibility of such loss or damage arising) is excluded. This will not operate to limit or restrict the Group's liability for death or personal injury resulting from its negligence. SPC MULTICOMP is the registered trademark of the Group. © Premier Farnell plc 2009.

**TOLERANCES:**  
**UNLESS OTHERWISE SPECIFIED, DIMENSIONS ARE FOR REFERENCE PURPOSES ONLY.**

<b>DRAWN BY:</b>	<b>DATE:</b>
Kiran	09/05/09
<b>CHECKED BY:</b>	<b>DATE:</b>
Suresh	09/05/09
<b>APPROVED BY:</b>	<b>DATE:</b>
Farnell	25/05/09

**DRAWING TITLE:**

Mini HDMI Socket - Type C, SMT

<b>SIZE</b> A	<b>DWG NO.</b> M10002211	<b>ELECTRONIC FILE</b> 1708474-TDS_DWG	<b>REV</b> A
<b>SCALE: NTS</b>		<b>U.O.M.: mm</b>	<b>SHEET: 2 OF 3</b>



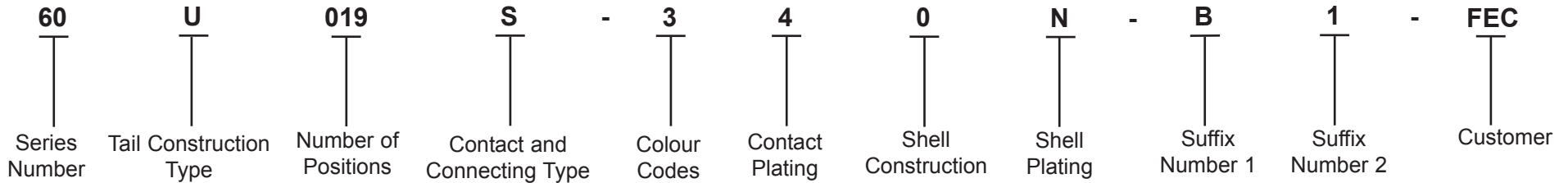
PART NO.

60U019S-34 Series

REVISIONS

ECN #	REV	DESCRIPTION	DRAWN	DATE	CHECKD	DATE	APPRVD	DATE
-	A	RELEASED	Kiran	09/05/09	Suresh	09/05/09	Farnell	25/05/09

Part Number Explanation:



- Series Number** : 60 = HDMI Connector, Type C.
- Tail Construction Type** : U = SMT Type.
- Number of Positions** : 019 = 19 Positions.
- Contact and Connecting Types** : S = Socket.
- Colour Codes** : 3 = Black.
- Contact Plating** : 4 = Gold Flash Plated Over 30µ Inches Nickel Underplating.
- Shell Construction** : 0 = Solder Tail is Type A and Through Hole Type, 1 = Solder Tail is Type B and Through Hole Type .
- Shell Plating** : N = Solderable Nickel Plated.
- Suffix Number 1** : B = Without LOGO.
- Suffix Number 2** : 1 = Housing with Post.
- Customer** : FEC = Inland.

<http://www.farnell.com>  
<http://www.newark.com>  
<http://www.cpc.co.uk>

This data sheet and its contents (the "Information") belong to the Premier Farnell Group (the "Group") or are licensed to it. No licence is granted for the use of it other than for information purposes in connection with the products to which it relates. No licence of any intellectual property rights is granted. The Information is subject to change without notice and replaces all data sheets previously supplied. The Information supplied is believed to be accurate but the Group assumes no responsibility for its accuracy or completeness, any error in or omission from it or for any use made of it. Users of this data sheet should check for themselves the information and the suitability of the products for their purpose and not make any assumptions based on information included or omitted. Liability for loss or damage resulting from any reliance on the Information or use of it (including liability resulting from negligence or where the Group was aware of the possibility of such loss or damage arising) is excluded. This will not operate to limit or restrict the Group's liability for death or personal injury resulting from its negligence. SPC MULTICOMP is the registered trademark of the Group. © Premier Farnell plc 2009.

**TOLERANCES:**  
**UNLESS OTHERWISE SPECIFIED, DIMENSIONS ARE FOR REFERENCE PURPOSES ONLY.**

<b>DRAWN BY:</b>	<b>DATE:</b>
Kiran	09/05/09
<b>CHECKED BY:</b>	<b>DATE:</b>
Suresh	09/05/09
<b>APPROVED BY:</b>	<b>DATE:</b>
Farnell	25/05/09

<b>DRAWING TITLE:</b>			
<b>Mini HDMI Socket - Type C, SMT</b>			
<b>SIZE</b>	<b>DWG NO.</b>	<b>ELECTRONIC FILE</b>	<b>REV</b>
<b>A</b>	<b>M10002211</b>	<b>1708474-TDS_DWG</b>	<b>A</b>
<b>SCALE: NTS</b>		<b>U.O.M.: mm</b>	<b>SHEET: 3 OF 3</b>