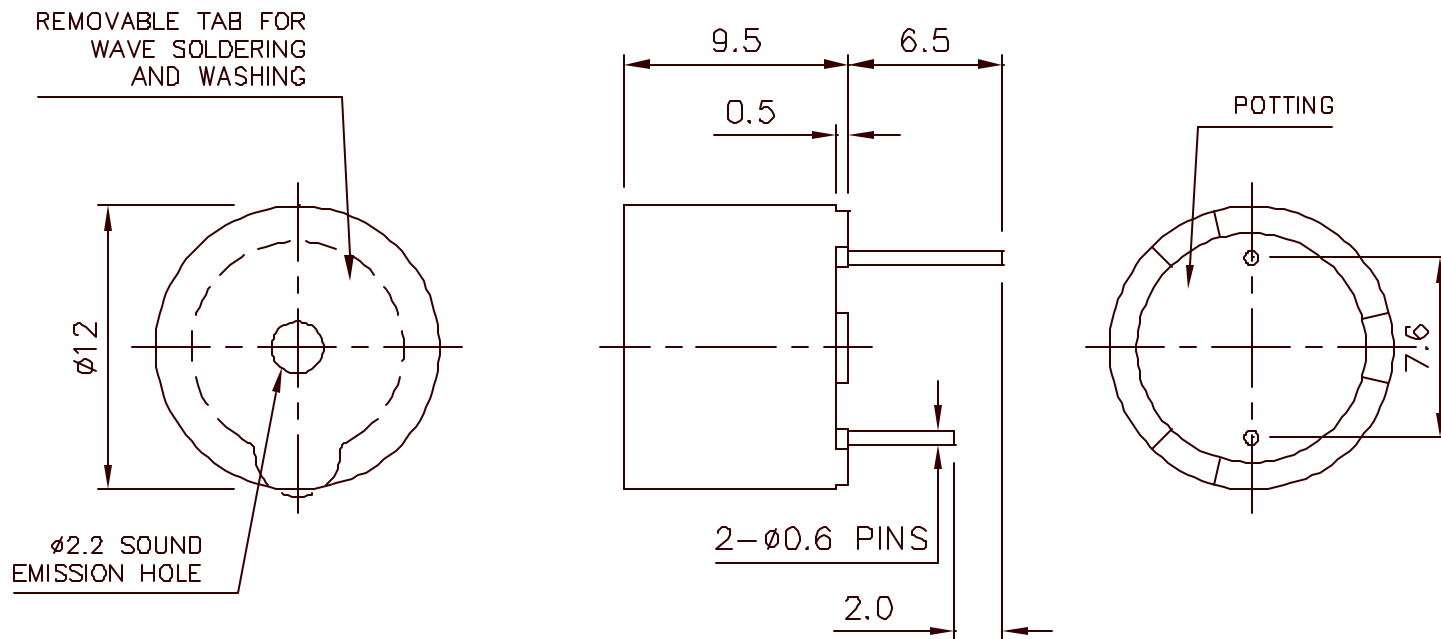


SPECIFICATIONS

PARAMETERS	VALUES	UNITS
Rated Voltage	12	Vdc
Operating Voltage	8 ~ 16	Vdc
Rated Current (max.)	30	mA
Typical Sound Pressure Level @ 10 cm.	85	dBa
Output Frequency	2300±300	Hz
Operating Temperature Range	-40 ~ +85	°C
Storage Temperature Range	-40 ~ +85	°C
Housing Material	SEI-GFN2J	
Terminal	Tin-Plated Copper Pins	
Weight	7	g

REVISIONS

LTR	DESCRIPTION	DATE	APPROVED
-	RELEASED FROM ENGINEERING	6/23/99	
A	ADDED ELECTRICAL SPECIFICATION	06/07/02	S. J.



NOTES:

1. ALL DIMENSIONS ARE IN MILLIMETERS.
2. SPECIFICATION SUBJECT TO CHANGE OR WITHDRAWAL WITHOUT NOTICE.

DRAWING NAME
AI165

UNLESS OTHERWISE SPECIFIED DIMENSIONS ARE IN MILLIMETERS TOLERANCES ARE: FRACTIONS DECIMALS ANGLES ± .XX ± 0.5 ± XXX ±		projects [®] unlimited Dayton, Ohio	
ELECTRO-MECH. AUDIO INDICATOR AI-165		DRAWING NO. AI165.DWG	
APPROVALS	DATE	SIZE	MATERIAL
DRAWN TMM	6/99	A	
CHECKED		NOT TO SCALE	MAX. WT.
APPROVED S. J.	06/23/99	DO NOT SCALE DRAWING	SHEET 1 OF 1