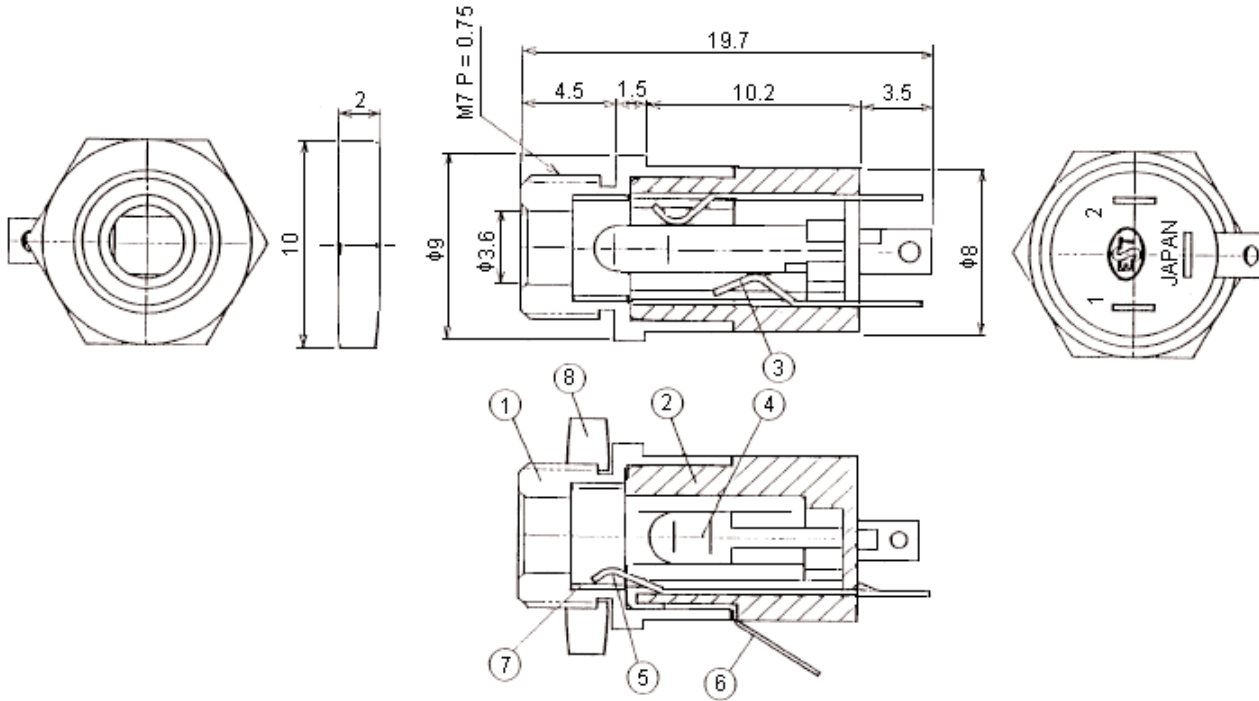


PART NO.

MJ-079

REVISIONS

ECN #	REV	DESCRIPTION	DRAWN	DATE	CHECKD	DATE	APPRVD	DATE
-	A	RELEASED	Ramya	20/05/09	Shalini	20/05/09	Farnell	03/06/09



Specifications:

Maximum contact resistance	: 50mΩ.
Minimum insulation resistance	: 100MΩ at 500V dc.
Di-electric strength	: 500V ac for one minute.
Operation temperature	: -25°C to 70°C.
Rating	: 34V ac/dc 1A.
Maximum insertion force	: 3kgf.
Withdrawal force	: 0.3 to 3kgf.
Minimum life cycles	: 5,000.

Dimensions : Millimetres

This data sheet and its contents (the "Information") belong to the Premier Farnell Group (the "Group") or are licensed to it. No licence is granted for the use of it other than for information purposes in connection with the products to which it relates. No licence of any intellectual property rights is granted. The Information is subject to change without notice and replaces all data sheets previously supplied. The Information supplied is believed to be accurate but the Group assumes no responsibility for its accuracy or completeness, any error in or omission from it or for any use made of it. Users of this data sheet should check for themselves the Information and the suitability of the products for their purpose and not make any assumptions based on information included or omitted. Liability for loss or damage resulting from any reliance on the Information or use of it (including liability resulting from negligence or where the Group was aware of the possibility of such loss or damage arising) is excluded. This will not operate to limit or restrict the Group's liability for death or personal injury resulting from its negligence. SPC pro-SIGNAL is the registered trademark of the Group. © Premier Farnell plc 2009.

TOLERANCES:

UNLESS OTHERWISE SPECIFIED, DIMENSIONS ARE FOR REFERENCE PURPOSES ONLY.

DRAWN BY:

Ramya

CHECKED BY:

Shalini

APPROVED BY:

Farnell

DATE:

20/05/09

DATE:

20/05/09

DATE:

03/06/09

DRAWING TITLE:

3.5mm Jack - Socket, 4 Pole

SIZE
A

DWG NO.

ELECTRONIC FILE
MJ-079_DWG

REV
A

SCALE: NTS

U.O.M.: mm

SHEET: 1 OF 2



PART NO.

MJ-079

REVISIONS

ECN #	REV	DESCRIPTION	DRAWN	DATE	CHECKD	DATE	APPRVD	DATE
-	A	RELEASED	Ramya	20/05/09	Shalini	20/05/09	Farnell	03/06/09

Specification Table

Item	Part Name	Material	Material Thickness	Finish	Part Number
1	Metal	BSBM	-	MBNI - 3	MJ-079
2	Body	PBT - G30%	-	-	
3	Contact Terminal 1	FAB-EH	0.3	MBNI - 3	
4	Contact Terminal 2				
5	Contact Terminal 3				
6	Contact Terminal 4				
7	Insulator	FIBER	0.25	-	
8	Hexagonal nut	ST	-	-MBNI - 3	

<http://www.farnell.com>

<http://www.newark.com>

<http://www.cpc.co.uk>

This data sheet and its contents (the "Information") belong to the Premier Farnell Group (the "Group") or are licensed to it. No licence is granted for the use of it other than for information purposes in connection with the products to which it relates. No licence of any intellectual property rights is granted. The Information is subject to change without notice and replaces all data sheets previously supplied. The Information supplied is believed to be accurate but the Group assumes no responsibility for its accuracy or completeness, any error in or omission from it or for any use made of it. Users of this data sheet should check for themselves the Information and the suitability of the products for their purpose and not make any assumptions based on information included or omitted. Liability for loss or damage resulting from any reliance on the Information or use of it (including liability resulting from negligence or where the Group was aware of the possibility of such loss or damage arising) is excluded. This will not operate to limit or restrict the Group's liability for death or personal injury resulting from its negligence. SPC pro-SIGNAL is the registered trademark of the Group. © Premier Farnell plc 2009.

**TOLERANCES:
UNLESS OTHERWISE SPECIFIED, DIMENSIONS ARE FOR REFERENCE PURPOSES ONLY.**

DRAWN BY:	DATE:
Ramya	20/05/09
CHECKED BY:	DATE:
Shalini	20/05/09
APPROVED BY:	DATE:
Farnell	03/06/09

DRAWING TITLE:			
3.5mm Jack - Socket, 4 Pole			
SIZE	DWG NO.	ELECTRONIC FILE	REV
A		MJ-079_DWG	A
SCALE: NTS		U.O.M.: mm	SHEET: 2 OF 2