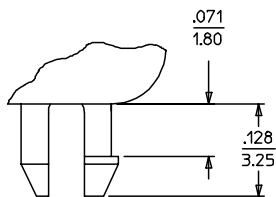
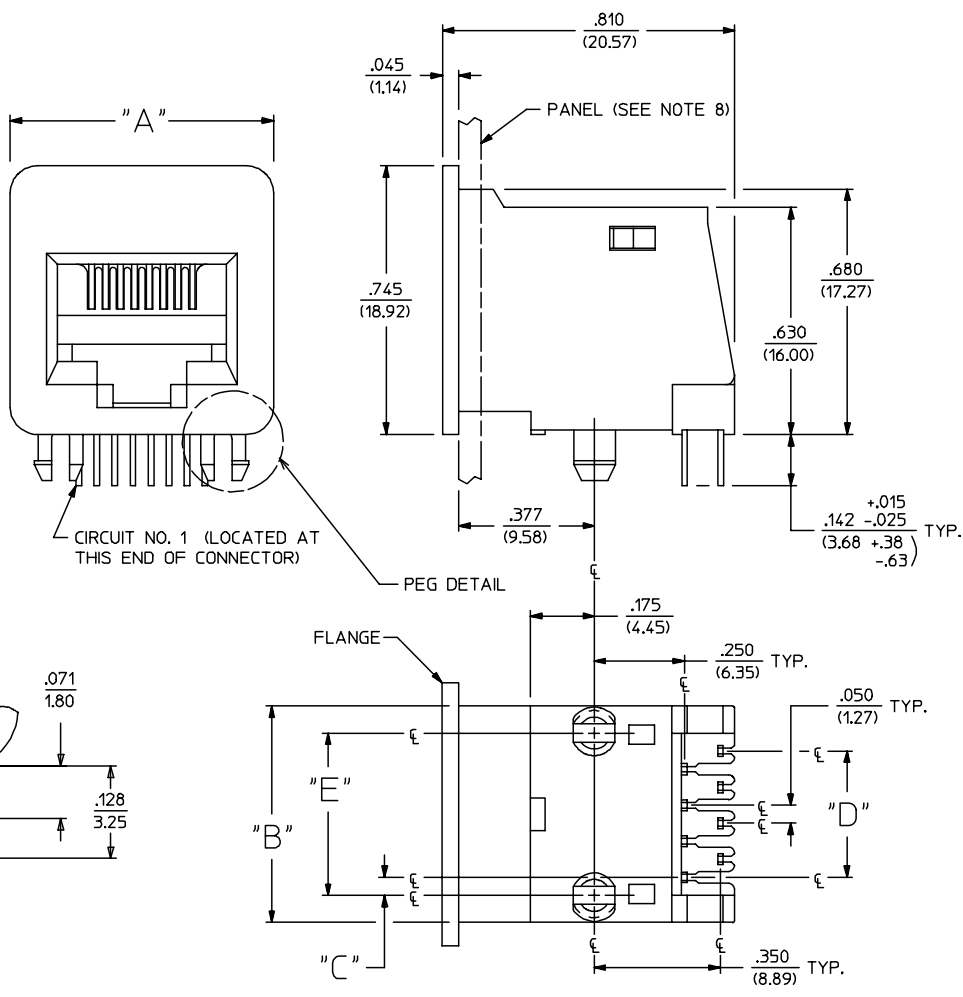


NOTES:

- 1) MATERIALS:
HOUSING: GLASS FILLED POLYESTER, UL94 V-0, COLOR: BLACK
TERMINALS: PHOSPHOR BRONZE
- 2) FINISH:
TERMINALS:
SELECT GOLD IN CONTACT AREA: 50 MICROINCHES (1.27 MICROMETER) MIN.,
*SELECT TIN IN PC TAIL AREA: 100 MICROINCHES (2.54 MICROMETER) MIN.,
WITH OVERALL NICKEL UNDERPLATE: 50 MICROINCHES (1.27 MICROMETER) MIN.
*THE PRIMARY SHIPPING CARTON WILL BE LABELED "COMPLIANT TO RoHS DIRECTIVE 2002/95/EC AND ELV ANNEX II OF DIRECTIVE 2000/53/EC".
CARTONS WITHOUT THIS LABEL MAY CONTAIN PRODUCT WITH TIN-LEAD IN THE PC TAIL AREA.
- 3) ALL JACKS MUST MEET THE REQUIREMENTS OF MOLEX SPECIFICATION #PS-41314.
- 4) PACKAGING: THERMOFORMED TRAYS PER PK-41369-004
- 5) JACKS CONFORM TO AND ACCEPT PLUGS WHICH CONFORM TO FCC REGULATIONS, PART 68.5.
- 6) JACKS ARE TO BE USED WITH .062/(1.57) THICK PRINTED CIRCUIT BOARDS.
- 7) SEE SHEET 3 FOR RECOMMENDED PANEL CUT-OUT AND BOARD LAYOUT DIMENSIONS.
- 8) PANEL TO BE LOCATED AGAINST MODULAR JACK FLANGE AS INDICATED.
- 9) ALL UNTOLERANCED DIMENSIONS ARE SHOWN FOR REFERENCE ONLY.



PEG DETAIL
SCALE: 8:1

SIZE 8 MODULAR JACK HOUSING LOADED WITH 8 TERMINALS IS SHOWN ABOVE

8	2	.730 (18.54)	.600 (15.24)	.200 (5.08)	.050 (1.27)	.450 (11.43)
8	4	.730 (18.54)	.600 (15.24)	.150 (3.81)	.150 (3.81)	.450 (11.43)
8	6	.730 (18.54)	.600 (15.24)	.100 (2.54)	.250 (6.35)	.450 (11.43)
8	8	.730 (18.54)	.600 (15.24)	.050 (1.27)	.350 (8.89)	.450 (11.43)
6	2	.650 (16.51)	.520 (13.21)	.175 (4.45)	.050 (1.27)	.400 (10.16)
6	4	.650 (16.51)	.520 (13.21)	.125 (3.18)	.150 (3.81)	.400 (10.16)
6	6	.650 (16.51)	.520 (13.21)	.075 (1.91)	.250 (6.35)	.400 (10.16)
4	2	.570 (14.48)	.440 (11.18)	.125 (3.18)	.050 (1.27)	.300 (7.62)
4	4	.570 (14.48)	.440 (11.18)	.075 (1.91)	.150 (3.81)	.300 (7.62)
HOUSING SIZE	CIRCUIT SIZE	DIM. "A"	DIM. "B"	DIM. "C"	DIM. "D"	DIM. "E"

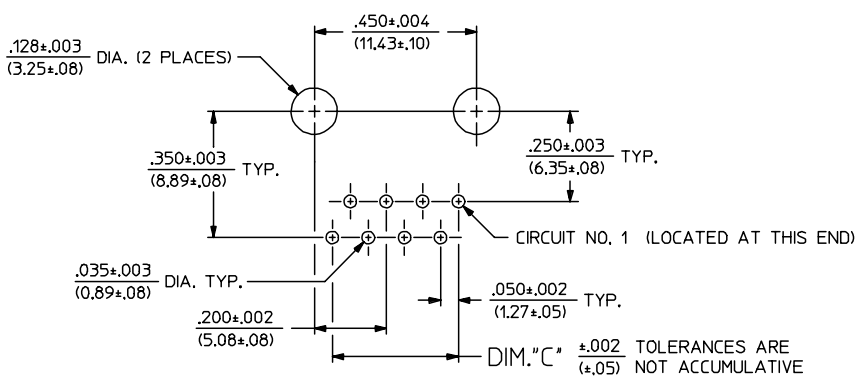
3	T
2	T1
1	T1
SH	REV

REMOVE FILM/AMMO PACK FC NO: UCP2006-2453 DRAWN: PRIDDER 2006/06/14 CHKD: JBELL 2006/06/27 APPR: FSMITH 2006/06/29	QUALITY SYMBOLS	GENERAL TOLERANCES (UNLESS SPECIFIED)	SCALE 4:1	DESIGN UNITS INCH	THIRD ANGLE PROJECTION	REVISE ON CAD ONLY		
	-0 -0	4 PLACES ± --- ± --- 3 PLACES ± --- ± --- 2 PLACES ± --- ± --- 1 PLACE ± --- ± ---	mm INCH ± --- ± --- ± --- ± --- ± --- ± ---	DIMENSION STYLE IN/MM	DRAWN BY DATE GLT 1990/05/02	MATERIAL NO. DOCUMENT NO. SHEET NO. SEE SHEET 2 SDA-41314-***** 1 OF 3		
							ANGULAR ±1/2°	BAP 1990/05/02
							DRAFT WHERE APPLICABLE MUST REMAIN WITHIN DIMENSIONS	APPROVED BY DATE RAS 1990/05/02
T1	DESCRIPTION	RIGHT ANGLE FLANGE MOUNT MODULAR JACK ASSEMBLY						
THIS DRAWING CONTAINS INFORMATION THAT IS PROPRIETARY TO MOLEX INCORPORATED AND SHOULD NOT BE USED WITHOUT WRITTEN PERMISSION								

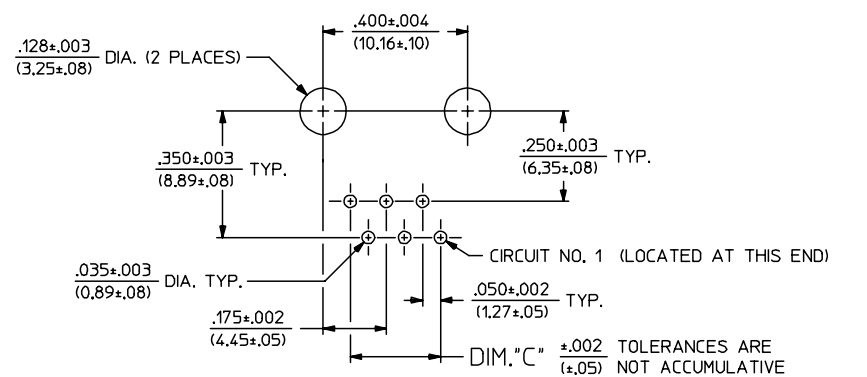
	13	12	11	10	9	8	7	6	5	4	3	2	41314
	ENGINEERING PART NUMBER	E.D.P. NUMBER	HOUSING SIZE	CIRCUIT SIZE	PACKAGING OPTION								
J	A-41314-44ABAA	015-43-6544	4	4	TRAY PACK								
	A-41314-42ABAA	015-43-6542	4	2	TRAY PACK								
	A-41314-66ABAA	015-43-6566	6	6	TRAY PACK								
	A-41314-64ABAA	015-43-6564	6	4	TRAY PACK								
	A-41314-62ABAA	015-43-6563	6	2	TRAY PACK								
	A-41314-88ABAA	015-43-6588	8	8	TRAY PACK								
I	A-41314-86ABAA	015-43-6586	8	6	TRAY PACK								
	A-41314-84ABAA	015-43-6584	8	4	TRAY PACK								
	A-41314-82ABAA	015-43-6590	8	2	TRAY PACK								
H	<u>SEE SHEET 1 FOR PART DESCRIPTIONS</u>												
G													
F													
E													
D													
C													
B													
A													

SEE SHEET ONE EC NO: UCP2006-2453 DRWN: PRIDDER 2006/06/14 CHKD: J.BELL 2006/06/27 APPR: F.SMITH 2006/06/29	QUALITY SYMBOLS	GENERAL TOLERANCES (UNLESS SPECIFIED)	SCALE ---	DESIGN UNITS INCH	THIRD ANGLE PROJECTION	REVISE ON CAD ONLY	
	- 0 - 0	mm	INCH	DIMENSION STYLE IN/MM		TITLE	
		4 PLACES	± ---	± ---	DRAWN BY	DATE	RIGHT ANGLE FLANGE MOUNT MODULAR JACK ASSEMBLY
		3 PLACES	± ---	± ---	GLT	1990/05/02	
		2 PLACES	± ---	± ---	CHECKED BY	DATE	MOLEX INCORPORATED
1 PLACE	± ---	± ---	BAP	1990/05/02			
	ANGULAR ±1/2°		APPROVED BY	DATE	MATERIAL NO.	DOCUMENT NO.	
	DRAFT WHERE APPLICABLE MUST REMAIN WITHIN DIMENSIONS		RAS	1990/05/02	SEE CHART	SDA-41314-*****	
			THIS DRAWING CONTAINS INFORMATION THAT IS PROPRIETARY TO MOLEX INCORPORATED AND SHOULD NOT BE USED WITHOUT WRITTEN PERMISSION				
					SHEET NO.	2 OF 3	

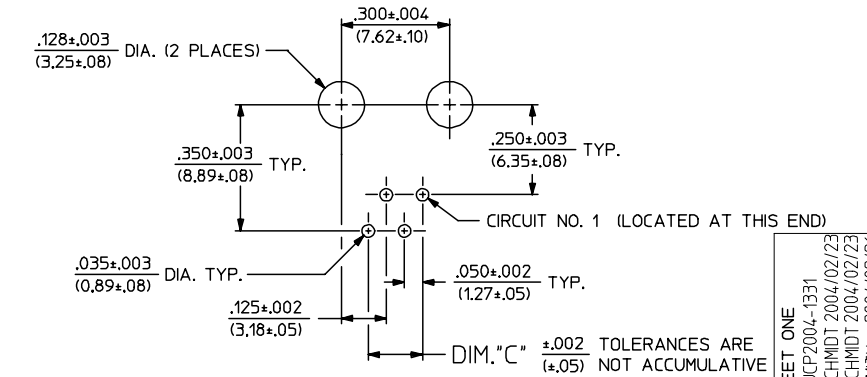
	12	11	10	9	8	7	6	5	4	3	2	1
--	----	----	----	---	---	---	---	---	---	---	---	---



PC BOARD LAYOUT FOR HOUSING SIZE 8



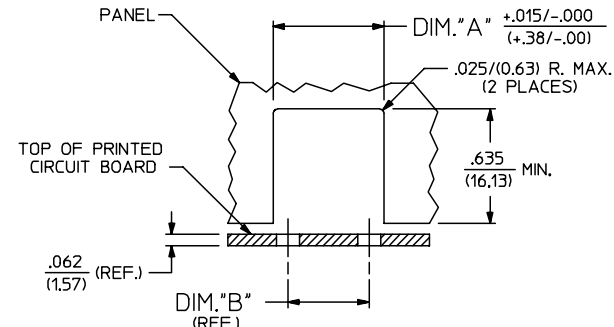
PC BOARD LAYOUT FOR HOUSING SIZE 6



PC BOARD LAYOUT FOR HOUSING SIZE 4

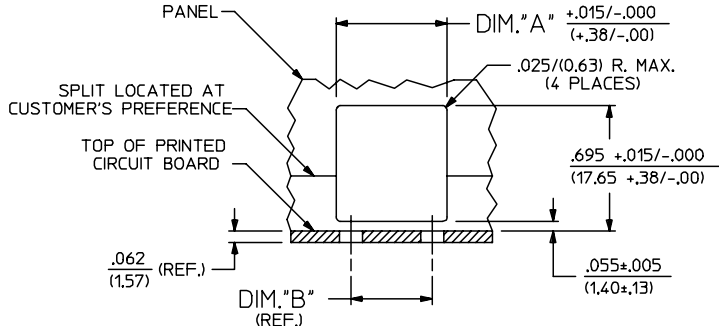
ENGINEERING PART NUMBER	HOUSING SIZE	CIRCUIT SIZE	DIM. "A"	DIM. "B"	DIM. "C"
A-41314-44*****	4	4	.455/(11.56)	.300/(7.62)	.150/(3.81)
A-41314-42*****	4	2	.455/(11.56)	.300/(7.62)	.050/(1.27)
A-41314-66*****	6	6	.535/(13.59)	.400/(10.16)	.250/(6.35)
A-41314-64*****	6	4	.535/(13.59)	.400/(10.16)	.150/(3.81)
A-41314-62*****	6	2	.535/(13.59)	.400/(10.16)	.050/(1.27)
A-41314-88*****	8	8	.615/(15.62)	.450/(11.43)	.350/(8.89)
A-41314-86*****	8	6	.615/(15.62)	.450/(11.43)	.250/(6.35)
A-41314-84*****	8	4	.615/(15.62)	.450/(11.43)	.150/(3.81)
A-41314-82*****	8	2	.615/(15.62)	.450/(11.43)	.050/(1.27)

NOTE: ALL RECOMMENDED BOARD LAYOUTS ARE SHOWN AS COMPONENT SIDE OF BOARD



PANEL CUT-OUT GUIDELINES (OPTION 1)

DIM. "A" MUST BE SYMMETRICAL TO DIM. "B" WITHIN .005/(0.13)



PANEL CUT-OUT GUIDELINES (OPTION 2)

DIM. "A" MUST BE SYMMETRICAL TO DIM. "B" WITHIN .005/(0.13)

SEE SHEET ONE EC NO: UCP2004-1331 DRWN:LSCHMIDT 2004/02/23 CHKD:LSCHMIDT 2004/02/23 APPR:FSMITH 2004/02/26 REV DESCRIPTION	QUALITY SYMBOLS ▽ = 0 ▽ = 0	GENERAL TOLERANCES (UNLESS SPECIFIED) mm INCH 4 PLACES ± --- ± --- 3 PLACES ± --- ± --- 2 PLACES ± --- ± --- 1 PLACE ± --- ± --- ANGULAR ±1/2°	SCALE --- INCH DIMENSION STYLE IN/MM DRAWN BY DATE GLT 1990/05/02 CHECKED BY DATE BAP 1990/05/02 APPROVED BY DATE RAS 1990/05/02	DESIGN UNITS INCH THIRD ANGLE PROJECTION REVISE ON CAD ONLY TITLE PANEL/BOARD LAYOUTS FOR RIGHT ANGLE FLANGE MOUNT MODULAR JACK ASSEMBLIES MOLEX MOLEX INCORPORATED MATERIAL NO. DOCUMENT NO. SHEET NO. SEE SHEET 2 SDA-41314-***** 3 OF 3
	DRAFT WHERE APPLICABLE MUST REMAIN WITHIN DIMENSIONS		THIS DRAWING CONTAINS INFORMATION THAT IS PROPRIETARY TO MOLEX INCORPORATED AND SHOULD NOT BE USED WITHOUT WRITTEN PERMISSION	