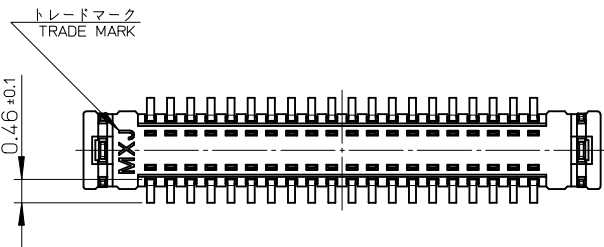
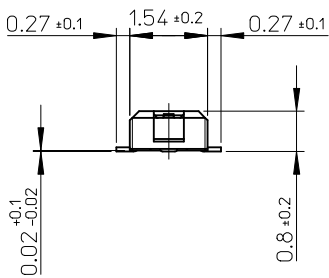
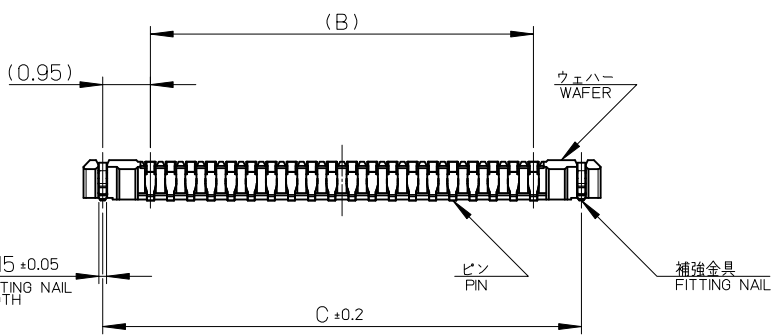


0.14 ±0.05
PIN WIDTH

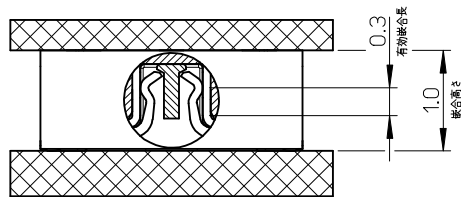
⊕ 0.15 Y



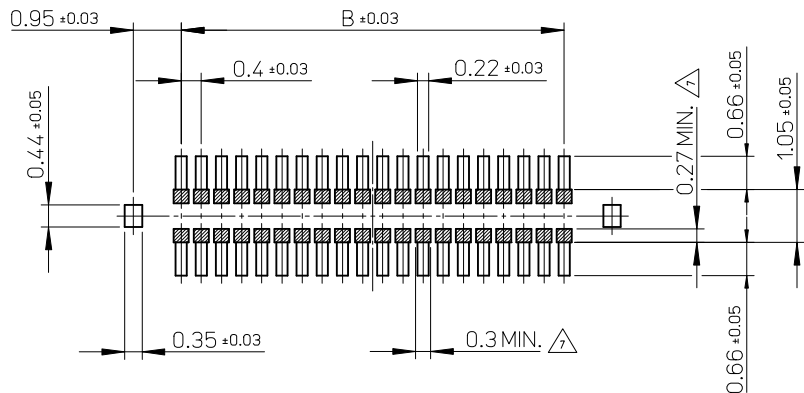
17.5	15.6	18.26	502430-8010	80
14.3	12.4	15.06	502430-6410	64
13.5	11.6	14.26	502430-6010	60
11.5	9.6	12.26	502430-5010	50
10.3	8.4	11.06	502430-4410	44
9.5	7.6	10.26	502430-4010	40
8.3	6.4	9.06	502430-3410	34
7.9	6.0	8.66	502430-3210	32
7.5	5.6	8.26	502430-3010	30
6.7	4.8	7.46	502430-2610	26
6.3	4.4	7.06	502430-2410	24
5.9	4.0	6.66	502430-2210	22
5.5	3.6	6.26	502430-2010	20
4.3	2.4	5.06	502430-1410	14
C	B	A	EMBOSSED PACKAGE オーダー番号 ORDER No.	極数 CIRCUITS

CONNECTOR SERIES No. 502430-**19

REVISED EC NO: J2010-0990 DRWN: TSUZUKI 01 2009/11/09 CHKD: THIRATA 2009/11/09 APPR: MSASAO 2009/11/10	GENERAL TOLERANCES (UNLESS SPECIFIED)		DIMENSION STYLE MM ONLY		SCALE 10:1	DESIGN UNITS METRIC	THIRD ANGLE PROJECTION	
	10 UNDER ± ---	10 OVER 30 UNDER ± ---	DRAWN BY RTAKEUCHI	DATE 2007/10/03	TITLE 0.4 B-TO-B CONN. HGT=1.0 W=2.6 PLUG ASSY			
	30 OVER ± ---	ANGULAR ± --- °	CHECKED BY MSASAO	DATE 2007/10/03	MOLEX INCORPORATED			
	DRAFT WHERE APPLICABLE MUST REMAIN WITHIN DIMENSIONS		APPROVED BY MSASAO	DATE 2007/10/03	MATERIAL NO. SEE TABLE	DOCUMENT NO. SD-502430-001	SHEET NO. 1 OF 2	
THIS DRAWING CONTAINS INFORMATION THAT IS PROPRIETARY TO MOLEX INCORPORATED AND SHOULD NOT BE USED WITHOUT WRITTEN PERMISSION				SIZE A3				



嵌合断面図 (参考)
MATED DRAWING (REFERENCE)



P.C. BOARD PATTERN LAYOUT
(REFERENCE)

注記 NOTES

1. 使用材料 MATERIAL

ウェハー : 液晶ポリマー (LCP) ガラス充填 UL94V-0 (黒)
WAFER: LIQUID CRYSTAL POLYMER (GLASS FILLED) UL94V-0 (COLOR: BLACK)

ピン : りん青銅 (t=0.08)
PIN : PHOSPHOR BRONZE (t=0.08)

金具 : りん青銅 (t=0.15)
FITTING NAIL : PHOSPHOR BRONZE (t=0.15)

2. メッキ仕様 PLATING

ピン PIN

金メッキ : 0.1 マイクロメートル以上
GOLD 0.1MICROMETER MINIMUM

下地メッキ : ニッケルメッキ 1.0 マイクロメートル以上
UNDER PLATING : NICKEL 1.0MICROMETER MINIMUM

※コンタクト部とテール部はニッケルメッキによって分断されている金メッキです。
DIVIDE INTO PARTS THE GOLD PLATING OF THE CONTACT AND THE TAIL PART BY THE NICKEL PLATING.

※封孔処理品

金具 FITTING NAIL

フラッシュ金メッキ
FLASH Au PLATING

下地メッキ : ニッケルメッキ 1.0 マイクロメートル以上
UNDER PLATING : NICKEL 1.0MICROMETER MINIMUM

△ (全極数 / 2) = 偶数の場合に適用。
APPLY FOR (CIRCUIT/2)=EVEN.

4. 嵌合相手 : 502426 シリーズ
MATE WITH : 502426 SERIES.

5. テール平坦度は、0.08 以下

テール及び金具の平坦度は、0.1 以下
TAIL COPLANARITY TO BE 0.08MAXIMUM.
TAIL AND FITTING NAIL COPLANARITY TO BE 0.1MAXIMUM.

6. ELV 及び RoHS 適合品
ELV AND RoHS COMPLIANT.

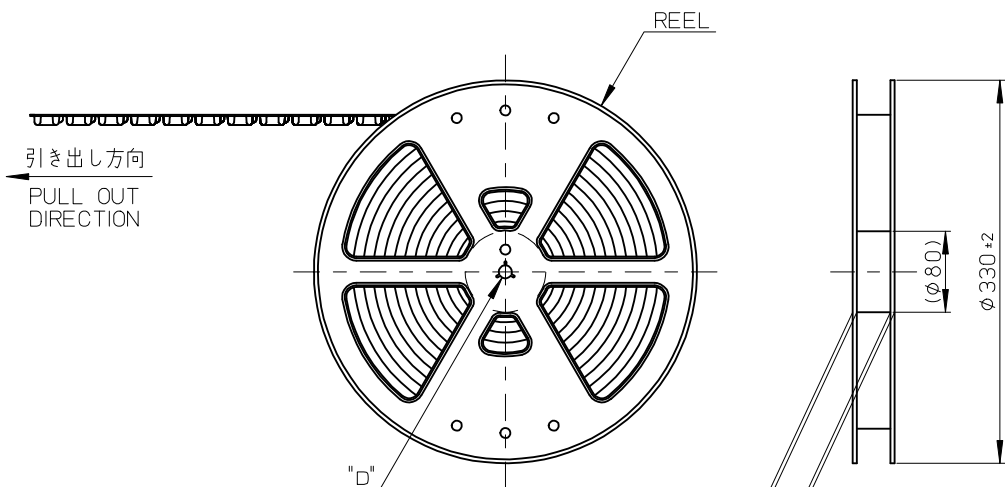
△ 斜線部はパターン書込み禁止範囲と半田禁止範囲を示す。

ただし、斜線部に同一配線を配置する場合はレジストを施し、この部分に半田は無きこと。
NO PATTERN CIRCUIT AND NO SOLDER ALLOWED IN THE SHADED AREA.
HOWEVER, IF NEEDED TO ADD A TRACE OF THE SAME CIRCUIT, PUT THE SOLDER-RESIST,
YET NO SOLDER ALLOWED IN THE AREA.

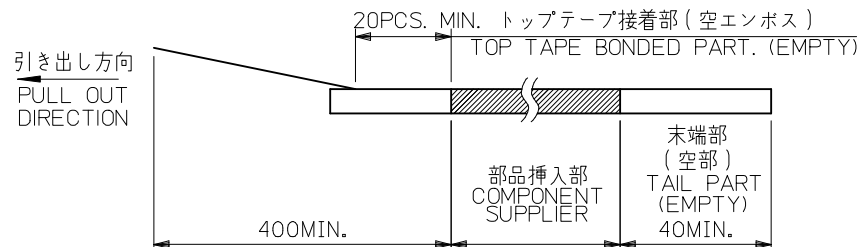
REVISED EC NO: J2010-0990 DRWN: TSUZUKI 2009/11/09 CHKD: THIRATA 2009/11/09 APPR: MSASAO 2009/11/10	GENERAL TOLERANCES (UNLESS SPECIFIED)		DIMENSION STYLE MM ONLY	SCALE 10:1	DESIGN UNITS METRIC	THIRD ANGLE PROJECTION
	10 UNDER	± ---	DRAWN BY RTAKEUCHI	DATE 2007/10/03	TITLE 0.4 B-TO-B CONN. HGT=1.0 W=2.6 PLUG ASSY	
	10 OVER 30 UNDER	± ---	CHECKED BY MSASAO	DATE 2007/10/03	MOLEX INCORPORATED	
	30 OVER	± ---	APPROVED BY MSASAO	DATE 2007/10/03		
ANGULAR	± --- °	MATERIAL NO. SEE SHEET 1	DOCUMENT NO. SD-502430-001		SHEET NO. 2 OF 2	
DRAFT WHERE APPLICABLE MUST REMAIN WITHIN DIMENSIONS		SIZE A3	THIS DRAWING CONTAINS INFORMATION THAT IS PROPRIETARY TO MOLEX INCORPORATED AND SHOULD NOT BE USED WITHOUT WRITTEN PERMISSION			

注記 NOTES

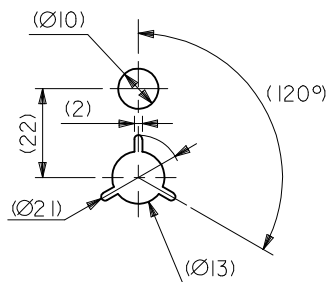
- 製品詳細寸法については製品単体図面を参照下さい。
FOR DETAIL OF CONNECTOR DIMENSIONS,
PLEASE SEE THE DRAWING OF CONNECTOR ITSELF (NOT PACKAGED).
- 梱包数量: 3000 個/リール
NUMBER OF CONNECTORS : 3000PCS/REEL
- リードテープ長さ LEAD TAPE LENGTH



引き出し方向
PULL OUT DIRECTION

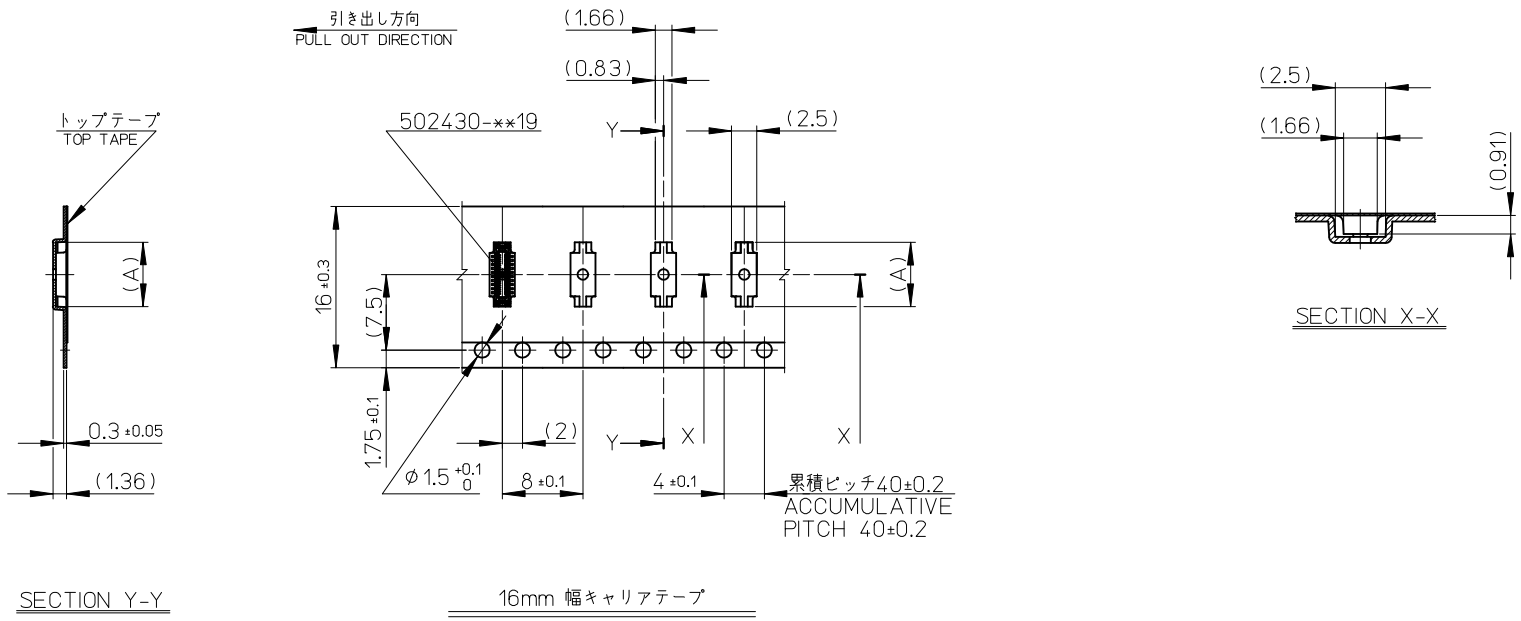


- 材料 MATERIAL
キャリアテープ (CARRIER TAPE): ポリスチレン (POLYSTYRENE)
トップテープ (TOP TAPE): PET, OTHER
リール (REEL): ポリスチレン (PS) <リサイクル材を含む>
POLYSTYRENE (PS) <RECYCLE MATERIAL CONTAINED>
- ELV及びRoHS適合品
ELV AND RoHS COMPLIANT



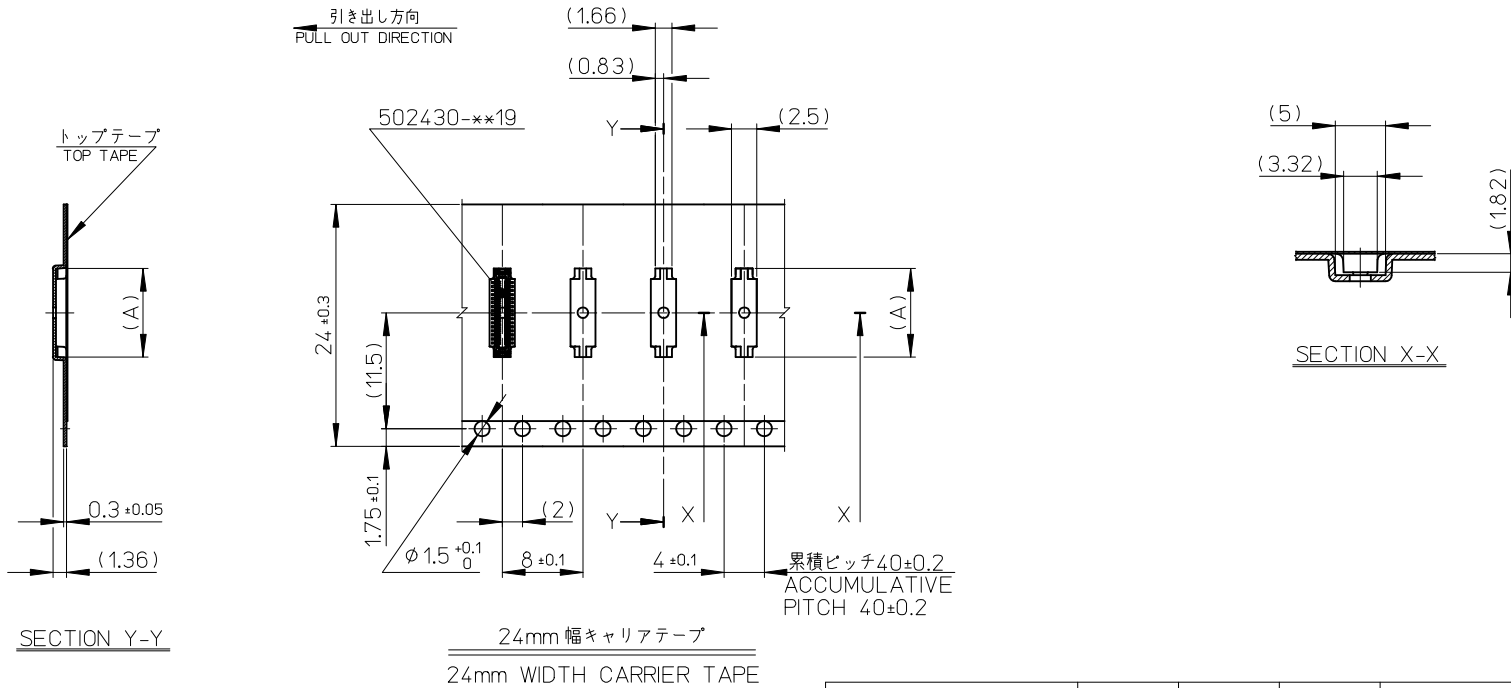
DETAIL "D"

REVISED EC NO: J2010-0990 DRWN: TSUZUKI 2009/11/09 CHKD: THIRATA 2009/11/09 APPR: MSASAO 2009/11/10	GENERAL TOLERANCES (UNLESS SPECIFIED)		DIMENSION STYLE MM ONLY		SCALE ---	DESIGN UNITS METRIC	MODEL NO. 502430-***10
	10 UNDER	±---	DRAWN BY RTAKEUCHI	DATE 2007/10/03	TITLE 0.4 B-TO-B CONN. HGT=1.0 PLUG ASSY EMBSTP PKG		
	10 OVER 30 UNDER	±---	CHECKED BY MSASAO	DATE 2007/10/03	MATERIAL NO. SEE TABLE		
	30 OVER	±---	APPROVED BY MSASAO	DATE 2007/10/03	DOCUMENT NO. SD-502430-002		
	ANGULAR ±---	DRAFT WHERE APPLICABLE MUST REMAIN WITHIN DIMENSIONS		SHEET NO. 1 OF 4		THIRD ANGLE PROJECTION	



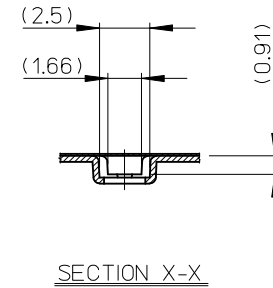
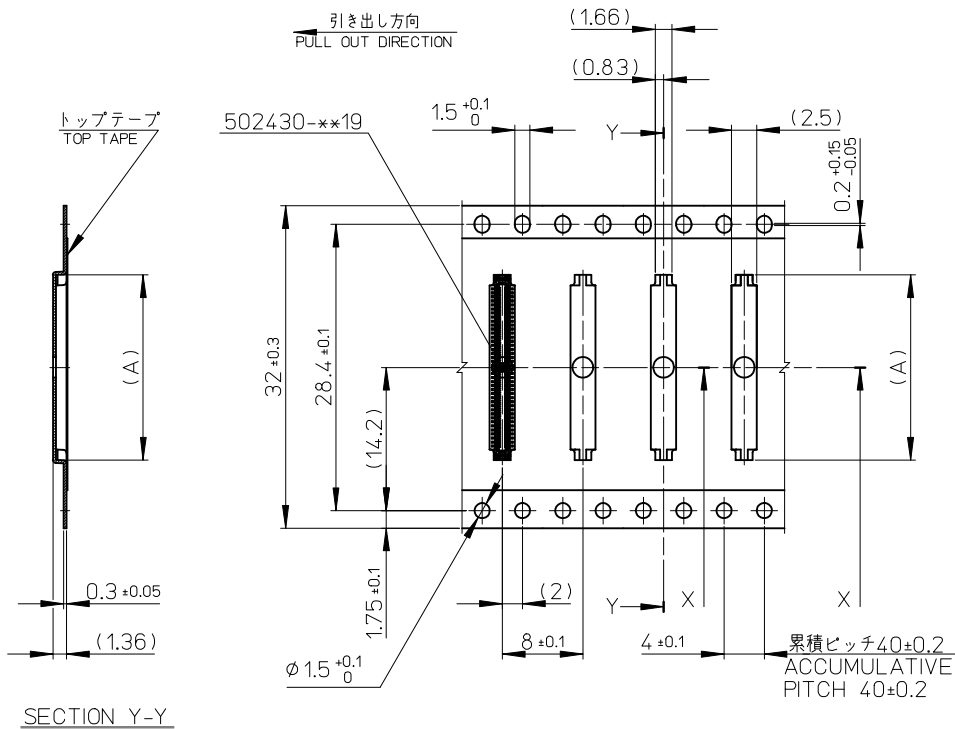
16	21.4	17.4	7.58	502430-2610	26
			7.18	502430-2410	24
			6.78	502430-2210	22
			6.38	502430-2010	20
			5.18	502430-1410	14
キャリアテープ幅 CARRIER TAPE WIDTH			(A)	MATERIAL No.	CKT.
			MODEL No.	502430-**10	

REVISED EC NO: J2010-0990 DRWN: TSUZUKI 01 2009/11/09 CHKD: THIRATA 2009/11/09 APPR: MSASAO 2009/11/10	DESCRIPTION REV	GENERAL TOLERANCES (UNLESS SPECIFIED)		DIMENSION STYLE MM ONLY		SCALE ---	DESIGN UNITS METRIC	THIRD ANGLE PROJECTION	
		10 UNDER	±---	DRAWN BY RTAKEUCHI	DATE 2007/10/03	TITLE 0.4 B-TO-B CONN. HGT=1.0 PLUG ASSY EMBSTP PKG			
		10 OVER 30 UNDER	±---	CHECKED BY MSASAO	DATE 2007/10/03	APPROVED BY MSASAO 2007/10/03			
		30 OVER	±---	MATERIAL NO. SEE TABLE		DOCUMENT NO. SD-502430-002		SHEET NO. 2 OF 4	
		ANGULAR	±---°	DRAFT WHERE APPLICABLE MUST REMAIN WITHIN DIMENSIONS					



24	29.4	25.4	15.18	502430-6410	64
			14.38	502430-6010	60
			12.38	502430-5010	50
			11.18	502430-4410	44
			10.38	502430-4010	40
			9.18	502430-3410	34
			8.78	502430-3210	32
8.38	502430-3010	30			
キャリアテープ幅 CARRIER TAPE WIDTH			C	B	(A)
			MATERIAL No.		CKT.
			MODEL No.		502430-**10

REVISED EC NO: J2010-0990 DRWN: TSUZUKI 01 2009/11/09 CHKD: THIRATA 2009/11/09 APPR: MSASAO 2009/11/10	DESCRIPTION GENERAL TOLERANCES (UNLESS SPECIFIED)	10 UNDER	±---	DIMENSION STYLE	SCALE	DESIGN UNITS	TITLE 0.4 B-TO-B CONN. HGT=1.0 PLUG ASSY EMBSTP PKG
		10 OVER 30 UNDER	±---	MM ONLY	---	METRIC	
		30 OVER	±---	DRAWN BY	DATE	TITLE	
		ANGULAR	±---°	RTAKEUCHI	2007/10/03		
DRAFT WHERE APPLICABLE MUST REMAIN WITHIN DIMENSIONS				CHECKED BY	DATE	MOLEX INCORPORATED	
				MSASAO	2007/10/03	DOCUMENT NO.	
				APPROVED BY	DATE	SD-502430-002	
				MSASAO	2007/10/03	SHEET NO.	
				MATERIAL NO.	SEE TABLE		
				SIZE	THIS DRAWING CONTAINS INFORMATION THAT IS PROPRIETARY TO MOLEX INCORPORATED AND SHOULD NOT BE USED WITHOUT WRITTEN PERMISSION		
				A3	3 OF 4		



32mm 幅キャリアテープ
32mm WIDTH CARRIER TAPE

32	37.4	33.4	18.38	502430-8010	80
キャリアテープ幅 CARRIER TAPE WIDTH			C	B	(A)
				MATERIAL No.	502430-**x10
				MODEL No.	502430-**x10

REVISED EC NO: J2010-0990 DRWN: TSUZUKI 2009/11/09 CHKD: THIRATA 2009/11/09 APPR: MSASAO 2009/11/10	DESCRIPTION GENERAL TOLERANCES (UNLESS SPECIFIED)	10 UNDER ± ---	DIMENSION STYLE MM ONLY	SCALE ---	DESIGN UNITS METRIC	TITLE 0.4 B-TO-B CONN. HGT=1.0 PLUG ASSY EMBSTP PKG	
		10 OVER 30 UNDER ± ---	DRAWN BY RTAKEUCHI	DATE 2007/10/03	THIRD ANGLE PROJECTION		
		30 OVER ± ---	CHECKED BY MSASAO	DATE 2007/10/03	MOLEX INCORPORATED		
		ANGULAR ± --- °	APPROVED BY MSASAO	DATE 2007/10/03	MATERIAL NO. SEE TABLE		DOCUMENT NO. SD-502430-002
DRAFT WHERE APPLICABLE MUST REMAIN WITHIN DIMENSIONS	SIZE A3	THIS DRAWING CONTAINS INFORMATION THAT IS PROPRIETARY TO MOLEX INCORPORATED AND SHOULD NOT BE USED WITHOUT WRITTEN PERMISSION					