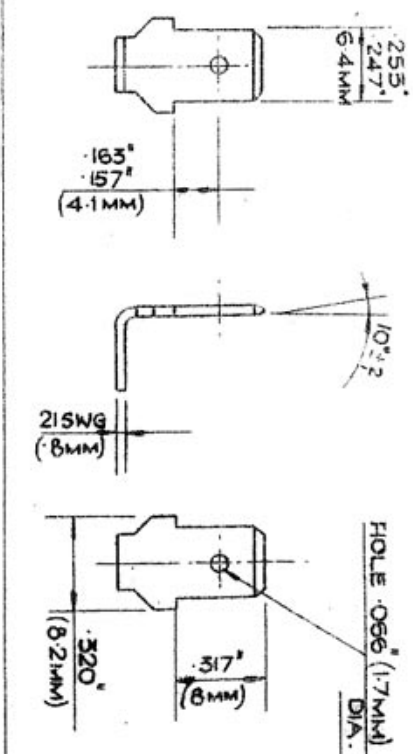


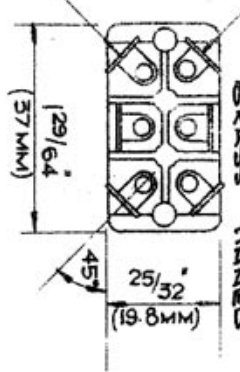
A.F. BULGIN & CO. LTD. BARKING ESSEX.		DRN BY	TRCD BY	DC. CHK
ELECTRONIC COMPONENT MANUFACTURERS.		E.R. 28.4.61	SW. 19.8.64	T. 28.4.61
DP. ROCKER SW'S	LIST NO. 5.780/7/POT	TECH CHK	PROD CHK	RESEARCH
TITLE (TYPE PUSH ON TAGS)				

DETAILS OF CONNECTIONS.



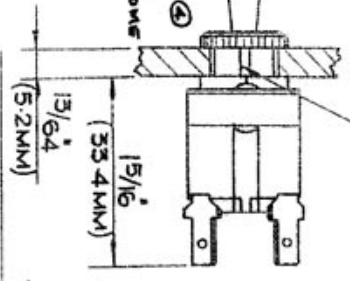
ALL MM EQUIVALENTS ARE APPROX.

6 PUSH ON TYPE TAG CONNECTIONS
SEE NOTE #. ALSO SEE SW ACTIONS



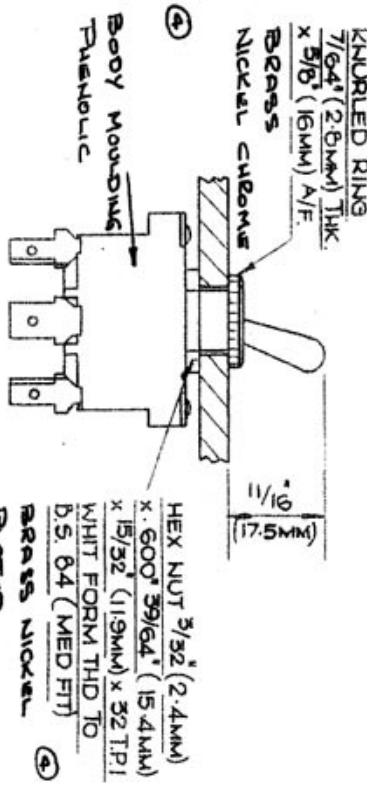
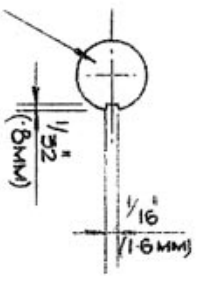
4 END CONNECTIONS POSITIONED AS SHOWN
RELATIVE TO SWITCH MouldING
SEE NOTE # ALSO SEE SW ACTIONS #1

2 KEYWAYS
DIAMETRICALLY
OPPOSITE ON



MAX PANEL
THICKNESS

PANEL FIXING DETAIL



TECHNICAL DATA:

10A 250V a.c.
(DEPENDENT ON CIRCUIT CONDITIONS; 10A MAX. PEAK OR INRUSH, OR SURGE AT MAKE OR AT BREAK)

10A AT 0-28V. DC (NON-REACTIVE CIRCUITS) ④
MAX WORKING VOLTAGE: 250 TO E AND BETWEEN POLES
MAX. TEST VOLTAGE: 21V DRY OR RECOVERD & CLEAN
INITIAL CONTACT RESISTANCE <math>< 10^{-3} \Omega</math>
INSULATION RESISTANCE >math>> 10^8 M\Omega</math>
TEMP. RANGE: -20°C TO + 85°C

4	Cu 11957
3	19-5-95
2	RETRIEVED
55	ALTN

SWITCH ACTIONS

LIST NO.

DP CHANGE OVER CENTRE OFF, NON-BIASED	5.780/POT.
DP " " " BIASED 1WAY	5.781/.
DP " " " BIASED BOTH WAYS	5.782/.
DP " " 2 POSITION NON-BIASED	5.783/.
DP ON/OFF 2 " "	5.784/.
DP " " 2 " BIASED ON	5.785/.
DP " " 2 " OFF	5.786/.
DP CHANG OVER 2 " 1WAY	5.787/.

3 POSITIONS

* NOTE! WHEN ORDERING ANY OF ABOVE ROCKER SW'S
QUOTE LIST NO AGAINST THE REQD. ACTION.

SW. LIST NOS. 5.784-5.6/POT. HAVE 4 CONNECTIONS
ONLY (2 CONNECTIONS AT ONE END BEING DELETED)