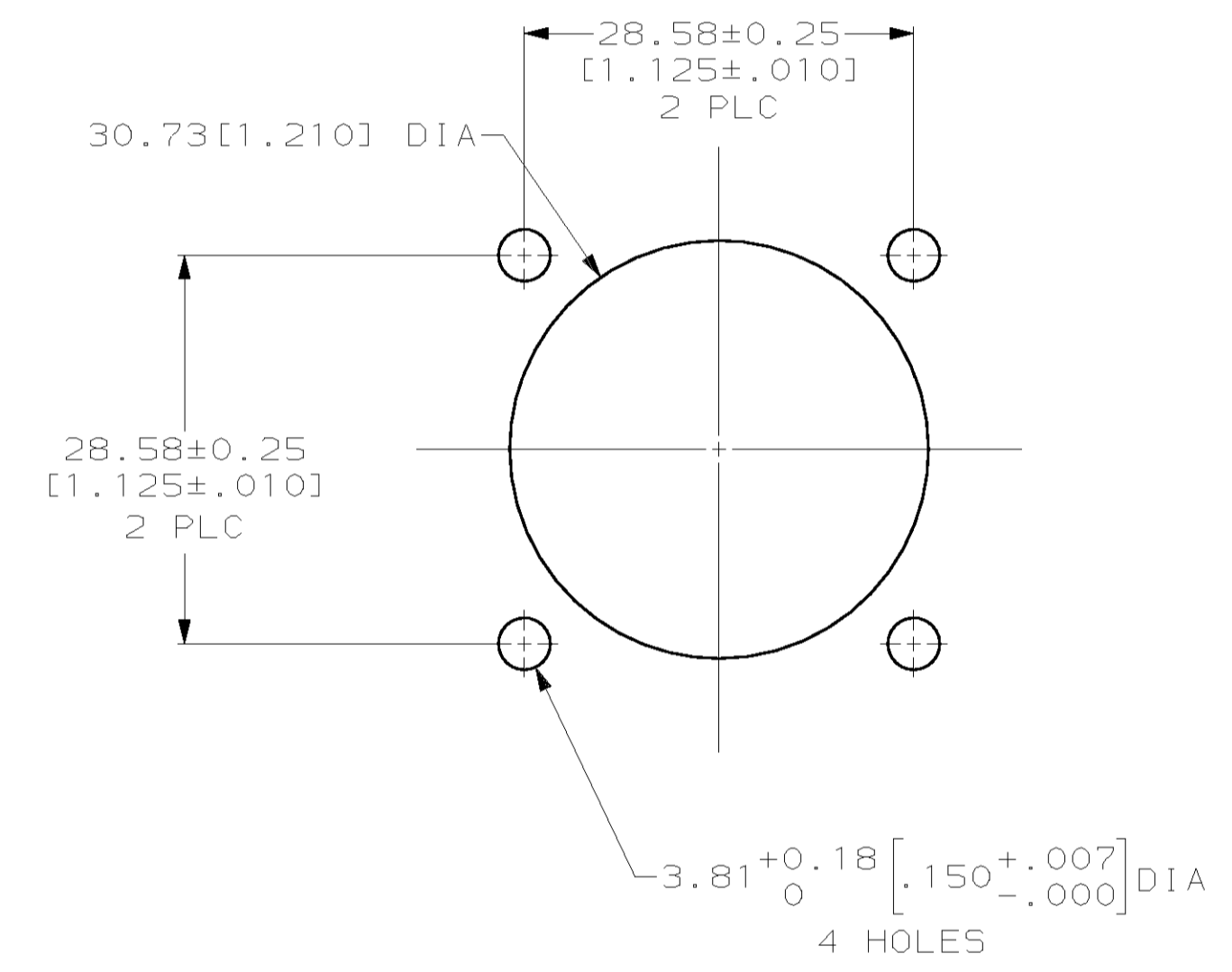
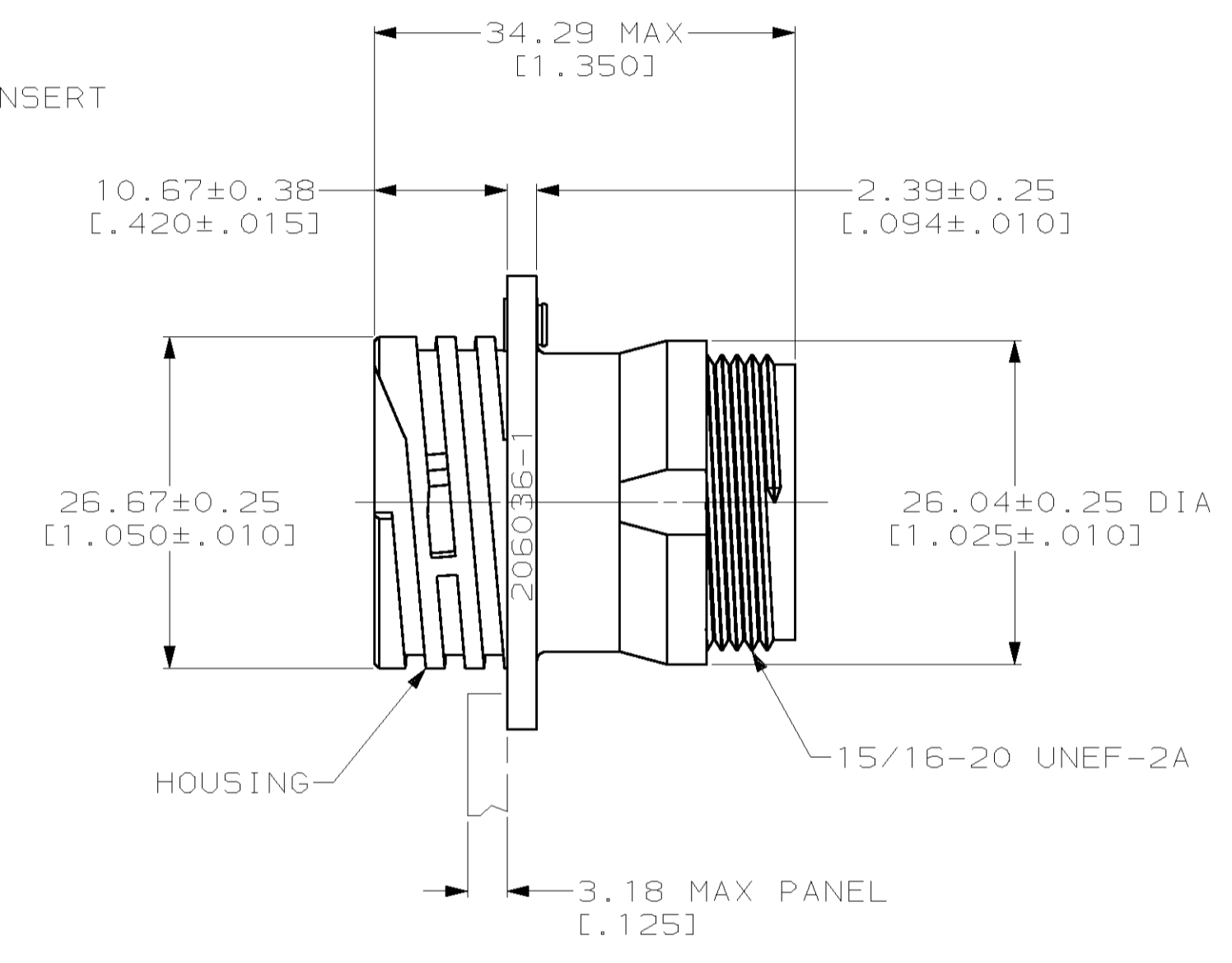
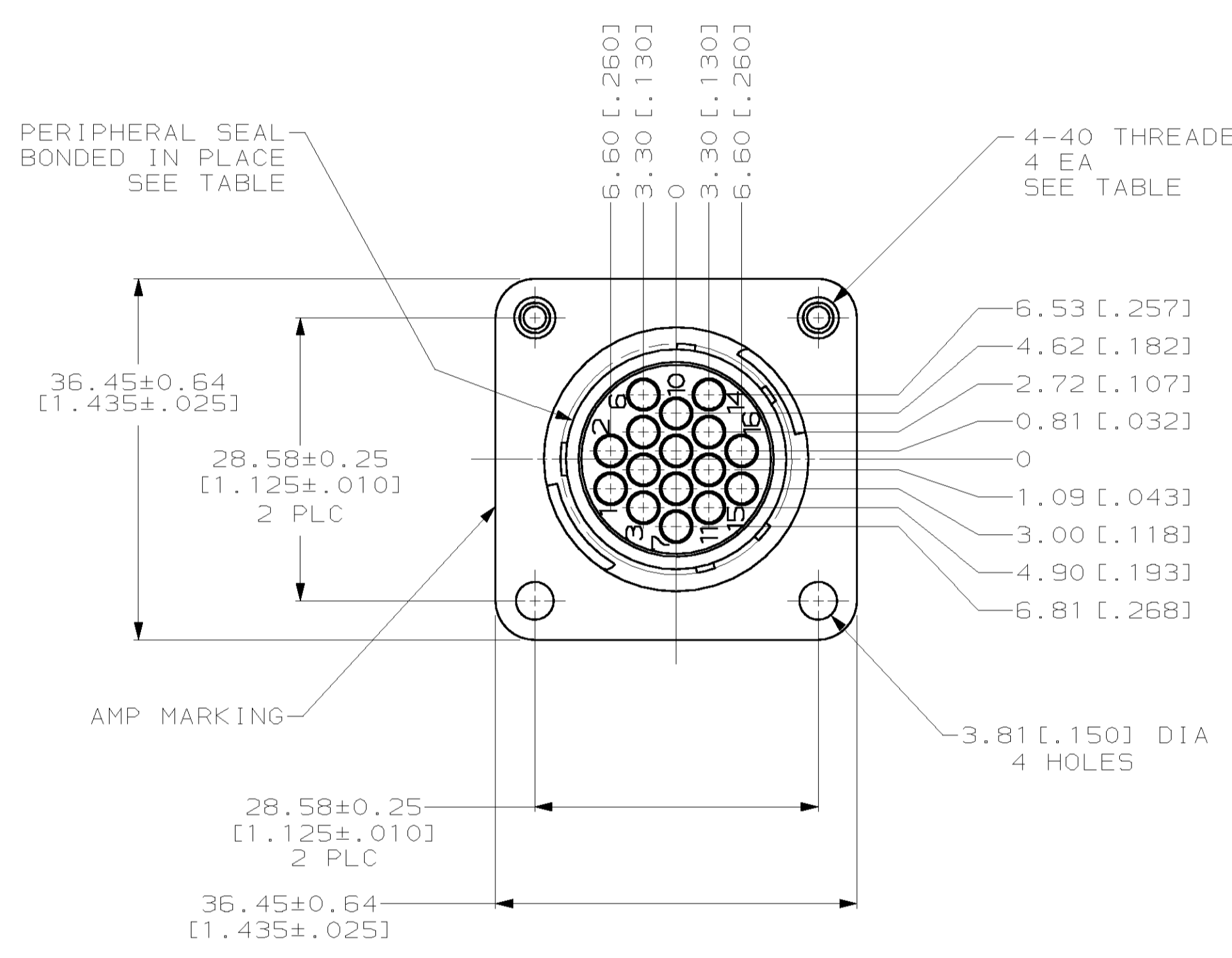


LOC	DIST	REVISIONS			
F	CHR	DESCRIPTION	DATE	OWN	APVD
R		REVISED PER EC 0638-0025-99	05OCT99	LM	MC

- ⚠ HOUSING: NYLON, BLACK.
PERIPHERAL SEAL: ELASTOMER, GRAY.
THREADED INSERTS: BRASS.
- 2. CAVITY IDENTIFICATION ON FRONT AND REAR FACE.
- 3. WILL ACCEPT (16) MULTIMATE PIN CONTACTS.
- ⚠ HOUSING: NYLON, BLUE.
PERIPHERAL SEAL: ELASTOMER, GRAY.
THREADED INSERTS: BRASS.



RECOMMENDED PANEL CUTOUT

⚠	STANDARD	NO	YES	206036-9
-	STANDARD	YES	NO	206036-8
-	SMALL PACK	NO	NO	206036-7
-	STANDARD	NO	YES	206036-4
⚠	STANDARD	NO	NO	206036-1
MATERIAL	PACKAGING	4-40 THREADED INSERTS	PERIPHERAL SEAL	PART NUMBER

THIS DRAWING IS A CONTROLLED DOCUMENT.

DW: D. GELTZ 07/27/93
 CHK: R. STONE 7-22-93
 APVD: A. FRANTUM 8-12-93

AMP Incorporated
 Harrisburg, PA 17105-3608

NAME: RECEPTACLE HOUSING, STD SEX, SHELL SIZE 17, CPC

PRODUCT SPEC: 108-10024

APPLICATION SPEC: -

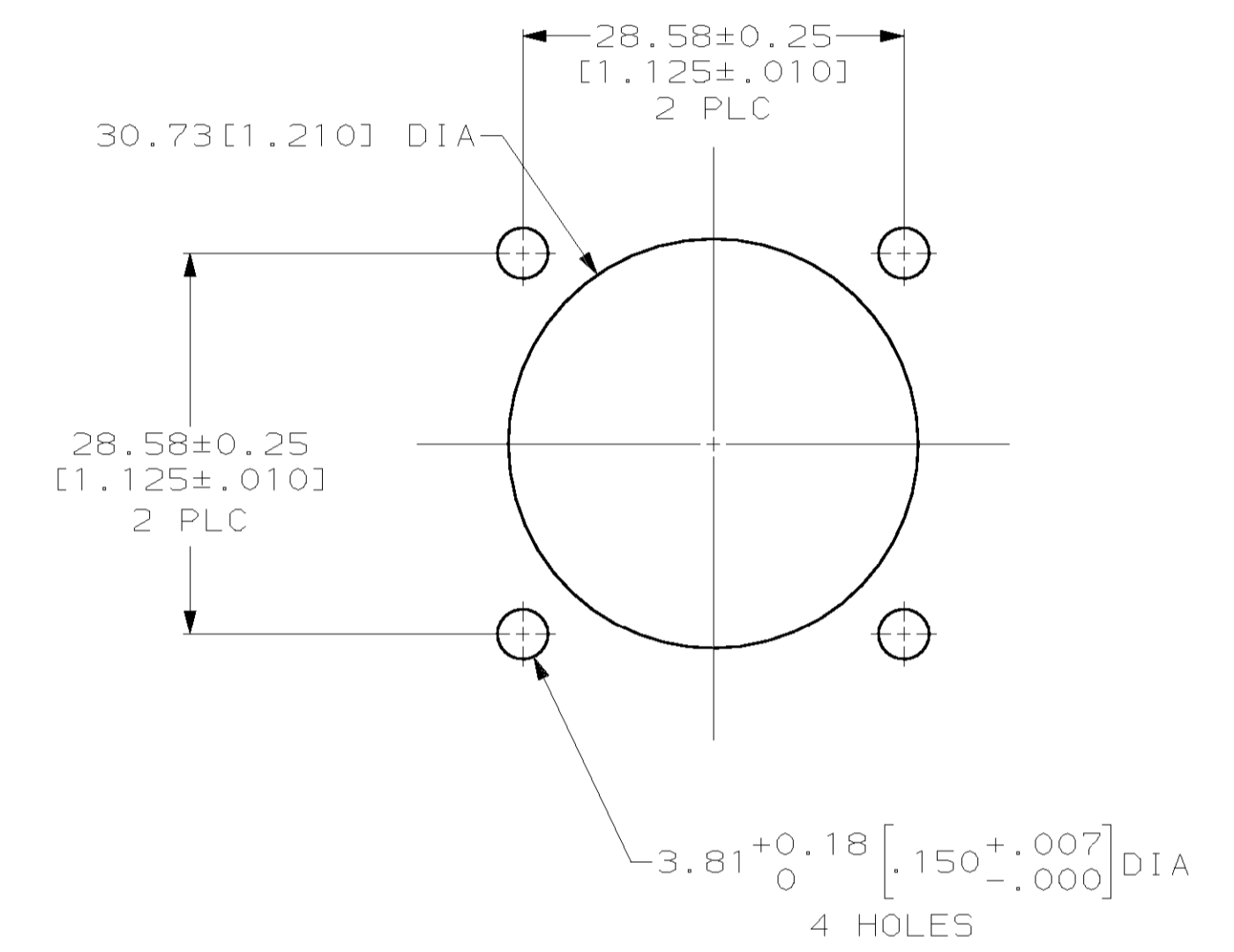
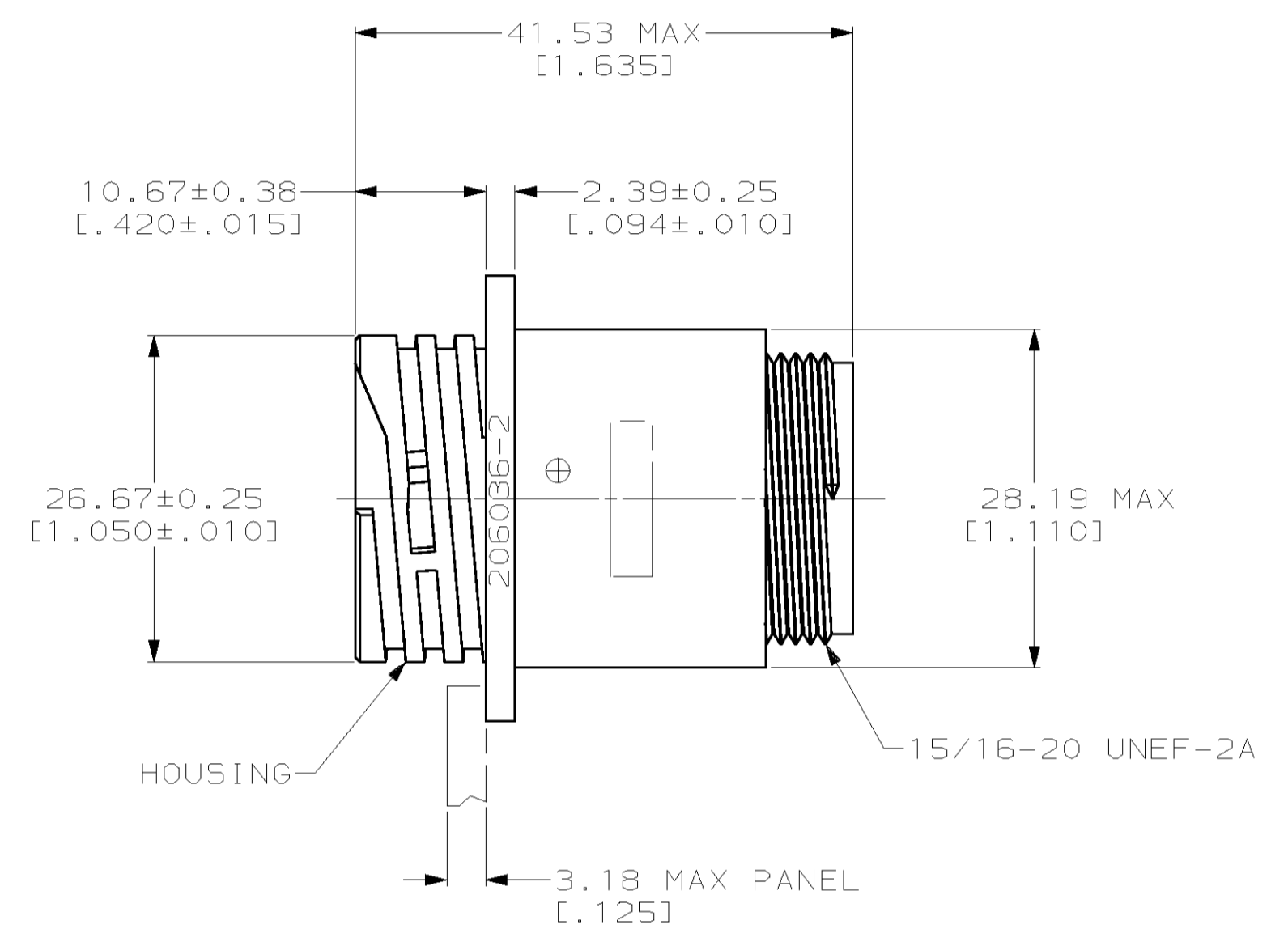
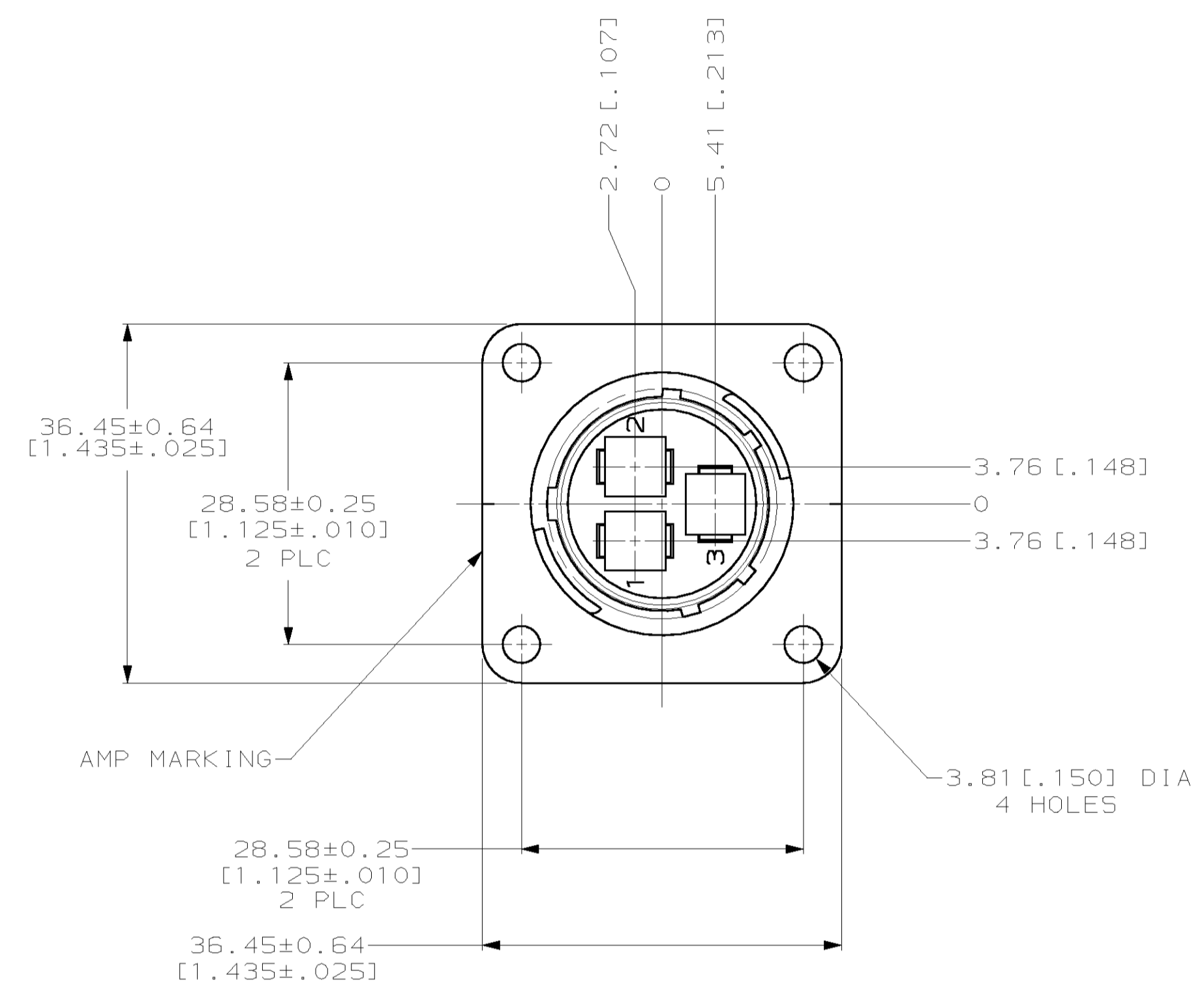
SIZE: A1 00779
 CAGE CODE: 206036
 DRAWING NO: 206036

RESTRICTED TO: -

CUSTOMER DRAWING SCALE: 2:1 SHEET: 1 OF 3 REV: R

LOC	DIST	REVISIONS			
F	CLR	DESCRIPTION	DATE	ENR	APVD
0		SEE SHEET 1	-	-	-

1. CAVITY IDENTIFICATION ON FRONT AND REAR FACE.
2. WILL ACCEPT (3) TYPE XII PIN CONTACTS.



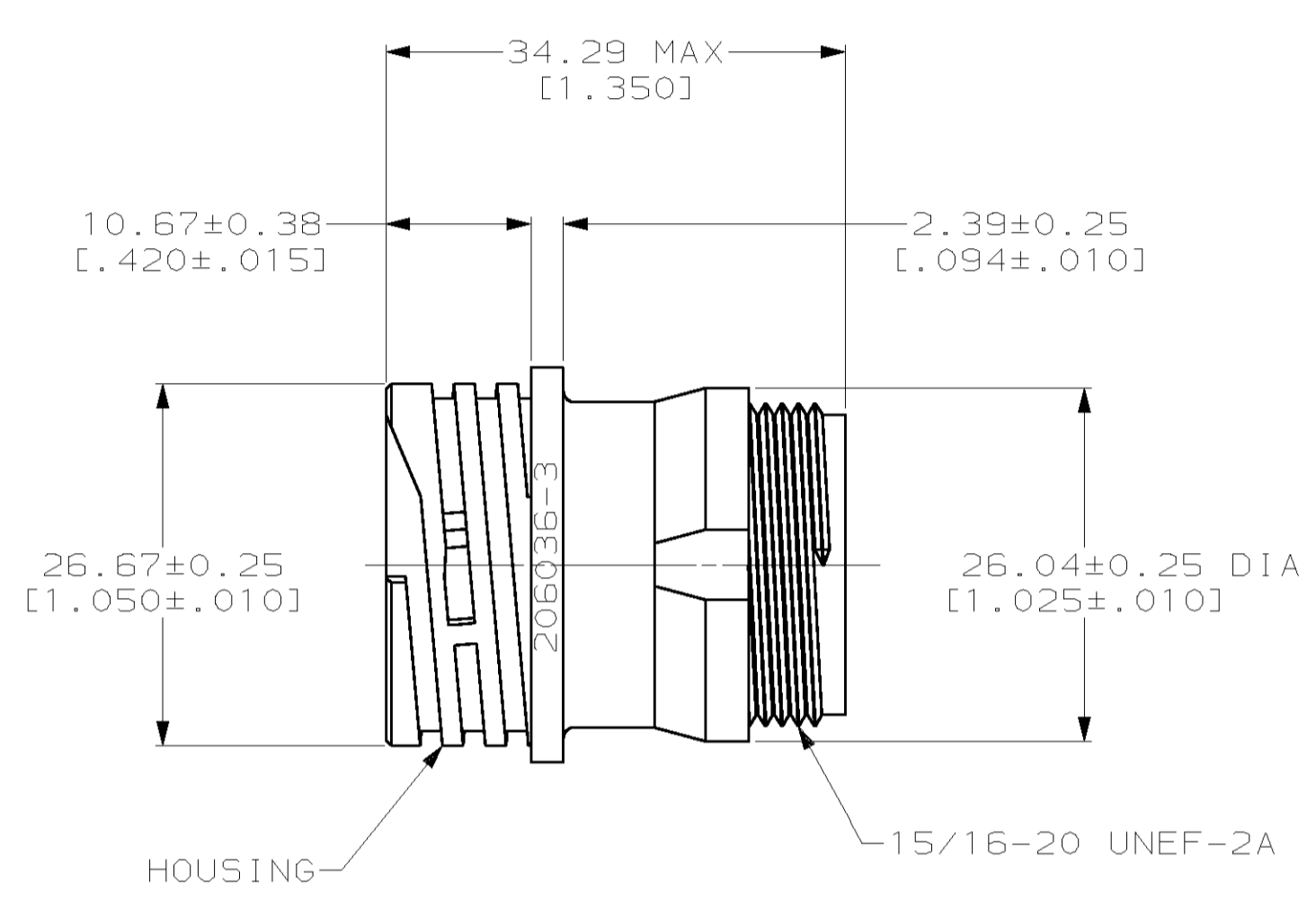
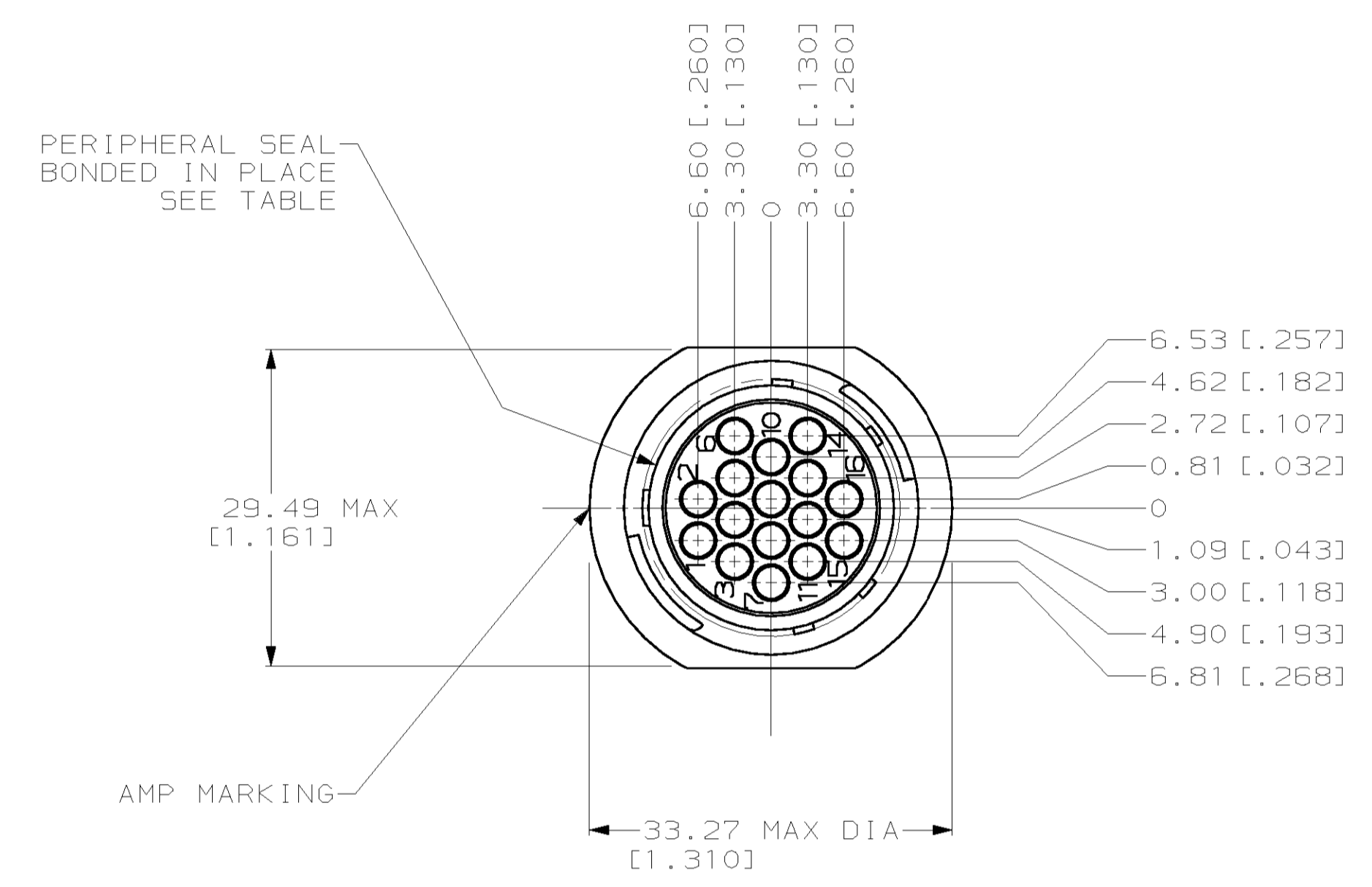
RECOMMENDED PANEL CUTOUT

206036-2
PART NO

THIS DRAWING IS A CONTROLLED DOCUMENT.		DWN D. GELTZ 07/27/93	AMP Incorporated Harrisburg, PA 17105-3608	
DIMENSIONS: mm (INCHES)		CHK R. STONE 7-22-93	NAME RECEPTACLE HOUSING, STD SEX, SHELL SIZE 17, CPC	
TOLERANCES UNLESS OTHERWISE SPECIFIED:		APVD A. FRANTUM 8-12-93	PRODUCT SPEC 108-10024	
APPLICATION SPEC		SIZE A1	CAGE CODE 00779	DRAWING NO 206036
MATERIAL HOUSING: NYLON, BLACK PERIPHERAL SEAL: ELASTOMER, GRAY		FINISH -	WEIGHT -	RESTRICTED TO -
CUSTOMER DRAWING		SCALE 2:1	SHEET 2 OF 3	REV R

LOC	DIST	REVISIONS				
FT	0	REV	DESCRIPTION	DATE	OWN	APVD
-	-	-	SEE SHEET 1	-	-	-

1. CAVITY IDENTIFICATION ON FRONT AND REAR FACE.
2. WILL ACCEPT (16) MULTIMATE PIN CONTACTS.



YES	206036-5
NO	206036-3
PERIPHERAL SEAL	PART NO

THIS DRAWING IS A CONTROLLED DOCUMENT.		DWN D. GELTZ 07-27-93	AMP Incorporated Harrisburg, PA 17105-3608
DIMENSIONS: mm [INCHES]		CHK R. STONE 7-22-93	NAME RECEPTACLE HOUSING, STD SEX, SHELL SIZE 17, CPC
TOLERANCES UNLESS OTHERWISE SPECIFIED:		APVD A. FRANTUM 8-12-93	PRODUCT SPEC 108-10024
0 PLC ±-		APPLICATION SPEC	SIZE A1
1 PLC ±-		RESTRICTED TO	SCALE 2:1
2 PLC ±0.13 [0.005]		WEIGHT	SHEET 3 OF 3
3 PLC ±-		CUSTOMER DRAWING	REV R
4 PLC ±-			
ANGLES			
FINISH			
MATERIAL HOUSING: NYLON, BLACK PERIPHERAL SEAL: ELASTOMER, GRAY			