

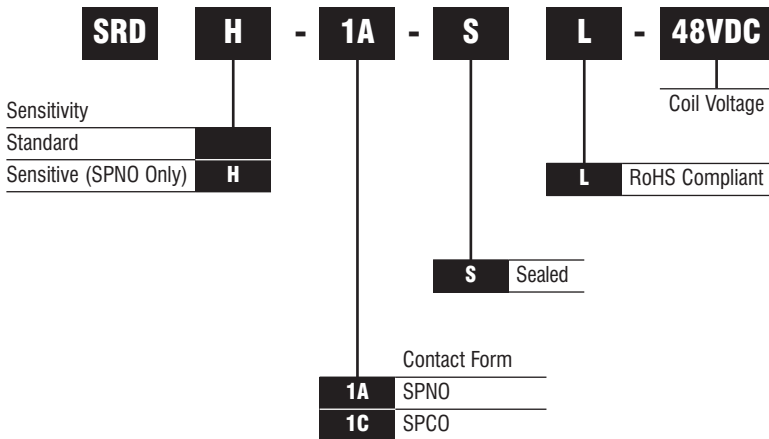
# Subminiature Intermediate Power Relay SRD



- 5A, 10A switching capabilities
- SPNO & SPCO configuration
- Subminiature, standard PCB layout
- Sealed Construction



## Options and ordering codes



## Contact Data

Contact Arrangement	1A, 1C		
Initial Contact Res Max	100mΩ (at 1A 24VDC)		
Contact Material	AgNi		
	1A		1C
Contact Rating (Res.Load)	Standard 5A 250VAC 5A 30VDC 10A 125VAC	Sensitive 3A 250VAC 3A 30VDC	3A 250VAC 3A 30VDC
Max. switching voltage	250VAC/30VDC		
Max. switching current	10A		
Max. switching power	1250VAC/150W		
Mechanical life	1x10 <sup>7</sup> OPS		
Electrical life	1x10 <sup>5</sup> OPS		

## Coil

Coil power	Standard: 0.45W Sensitive: 0.2W
------------	---------------------------------

## Characteristics

Initial Insulation Resistance	100MΩ @ 500VDC	
Dielectric Strength	Between coil & contact	2500VAC 1min.
	Between open contacts	1000VAC 1min.
Operate time (at nomi. Volt)	Max. 8ms	
Release time (at nomi. Volt)	Max. 5ms	
Ambient temperature	Standard	-40°C to +70°C
	High Capacity	-40°C to +60°C
Humidity	35% to 95% RH	
Shock resistance	Functional	100m/s <sup>2</sup>
	Destructive	1000m/s <sup>2</sup>
Vibration resistance	1.5mm 10 to 55Hz	
Termination	PCB	
Unit Weight	Approx. 6g	
Construction	Sealed IP67	

## Coil Data: Standard Type

Nominal Voltage VDC	Pick-up Voltage VDC	Drop-out Voltage VDC	Max. allowable Voltage (at 20°C)	Coil Resistance Ω
3	2.25	0.15	3.9	20±10%
5	3.75	0.25	6.5	55±10%
6	4.50	0.30	7.8	80±10%
9	6.75	0.45	11.7	180±10%
12	9.00	0.60	15.6	320±10%
18	13.5	0.90	23.4	720±10%
24	18.0	1.20	31.2	1280±10%
48	36.0	2.40	62.4	5120±10%

# Subminiature Intermediate Power Relay SRD



## Coil Data: Sensitive Type (SPNO only)

Nominal Voltage VDC	Pick-up Voltage VDC	Drop-out Voltage VDC	Max. allowable Voltage (at 20 °C)	Coil Resistance $\Omega$
3	2.25	0.15	4.5	45 $\pm$ 10%
5	3.75	0.25	7.5	125 $\pm$ 10%
6	4.50	0.30	9.0	180 $\pm$ 10%
9	6.75	0.45	13.5	400 $\pm$ 10%
12	9.00	0.60	18.0	720 $\pm$ 10%
18	13.5	0.90	27.0	1600 $\pm$ 10%
24	18.0	1.20	36.0	2800 $\pm$ 10%

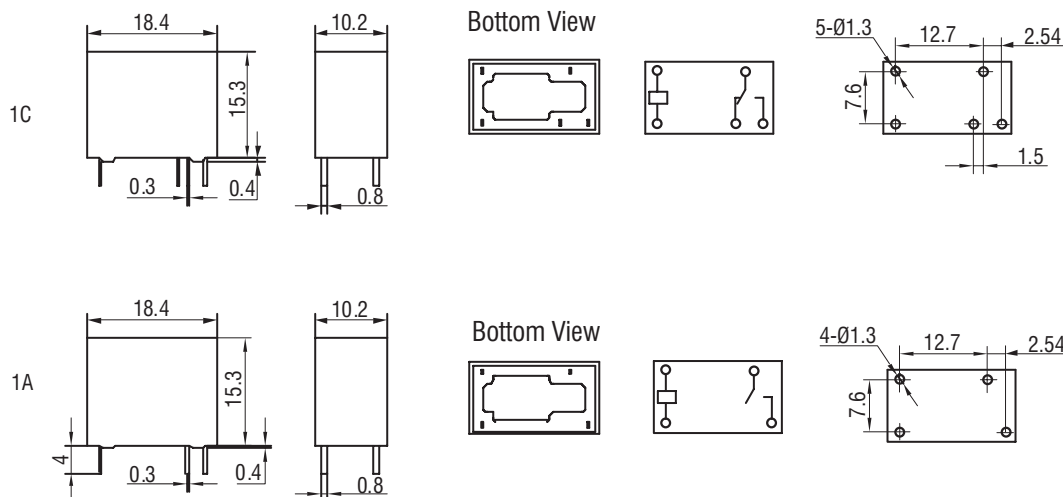
## Safety Approval Ratings

UL	1 Form A	5A 250VAC/30VDC@70°C 10A 125VAC@70°C 1/10hp, 125VAC@70°C 1/6hp, 250VAC@70°C 10LRA/1.5FLA, 120VAC@70°C
		H Type: 3A 250VAC/30VDC@70°C 5A 125VAC@70°C
VDE	1 Form C	3A 250VAC/30VDC@70°C
	1 Form A	5A 250VAC/30VDC@70°C
		H Type: 3A 250VAC/30VDC@70°C
	1 Form C	3A 250VAC/30VDC@70°C

Note: 48VDC Coil Type is not UL or VDE approved

## Outline dimensions (mm)

Wiring diagram and PC Board layout



## Characteristic Curve

